



**FaST**  
Foam Scrubbing Technology

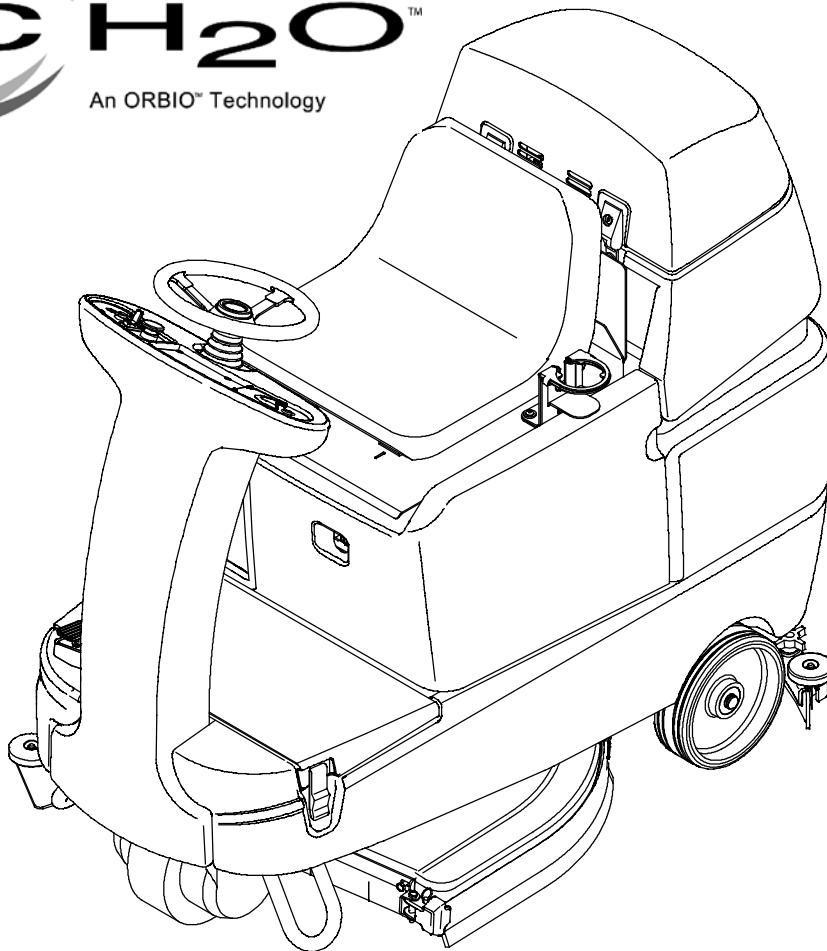
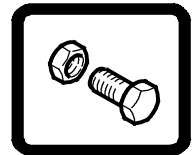
*The Safe Scrubbing Alternative®*  
*Quick-Train™ Controls*

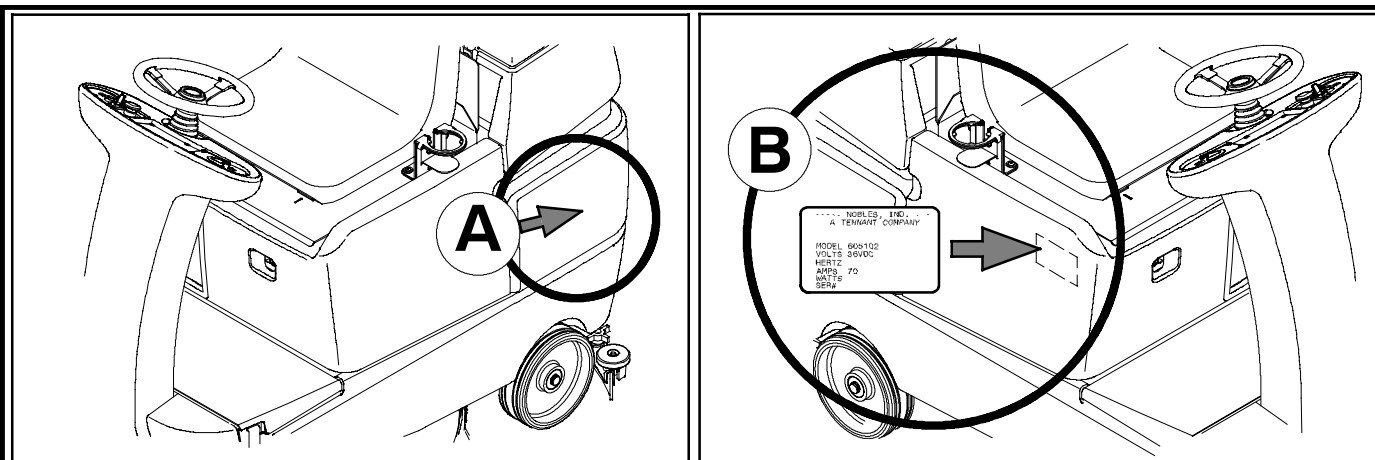
*Hygienic® Fully Cleanable Tanks*

# SPEED SCRUB® RIDER

RIDER-SCRUBBER

## PARTS MANUAL





| Ref | Part No. | Serial Number   | Description                     | Qty. |
|-----|----------|-----------------|---------------------------------|------|
| 1   | 82681    | (000000- )      | Bracket Wldt, Lpg Mount         | 1    |
| 2   | 63810    | (000000- )      | Latch Assy, Lpg Tank Mtg, W/Nut | 4    |
| 3   | 51839    | (000000- )      | Nut Adjustable, Lpg Tank Mtg    | 2    |
| 4   | 49263    | (000000- )      | Tie, Cable                      | 3    |
| 5   | 82556    | (000000-001039) | Bracket, Vaporizer              | 1    |
| 6   | 54930    | (000000- )      | Vaporizer, LPG                  | 1    |

**HOW TO ORDER PARTS - See diagram above**

Only use TENNANT Company supplied or equivalent parts. Parts and supplies may be ordered online, by phone, by fax or by mail.

Follow the steps below to ensure prompt delivery.

1. (A) Identify the machine model.
2. (B) Identify the machine serial number from the data label.
3. (C) Ensure the proper serial number is used from the parts list.
4. Identify the part number and quantity. Do not order by page or reference numbers.
5. Provide your name, company name, customer ID number, billing and shipping address, phone number and purchase order number.
6. Provide detail shipping instructions.

(D) ▽ - identifies an assembly  
 ▲ - identifies parts included in assembly

**Please fill out at time of installation for future reference.**

Model No. - \_\_\_\_\_

Serial No. - \_\_\_\_\_

Machine Options - \_\_\_\_\_

Sales Rep. - \_\_\_\_\_

Sales Rep. phone no. - \_\_\_\_\_

Customer ID Number - \_\_\_\_\_

Installation Date - \_\_\_\_\_

**Tennant Company**  
 PO Box 1452  
 Minneapolis, MN 55440 USA  
 Phone: (800) 553-8033 or  
 (763) 513-2850

www.nobles.com

Specifications and parts are subject to change without notice.

Copyright © 2004 - 2011 TENNANT Company, Printed in USA

# GENERAL RECOMMENDED MAINTENANCE

T7, SSR

## General Recommended Maintenance Items

| Ref. | Part No. | Description                                     | Qty. |
|------|----------|---|------|
|      | 390942   | Blade, Sqge, Rear, 700mm Linatex [37.5]         | 1    |
|      | 390922   | Blade, Sqge, Rear, 800mm Linatex [44.0]         | 1    |
| ▽    | 391384   | Squeegee Kit, Oil-Rstn, 700mm                   | 1    |
| ▲    | 391377   | Blade, Sqge, Front, 700mm Oil-Rstn,35.0l        | 1    |
| ▲    | 391378   | Blade, Sqge, Rear, 700mm Oil-Rstn[37.0]         | 1    |
| ▽    | 391386   | Squeegee Kit, Tile, 700mm                       | 1    |
| ▲    | 390943   | Blade, Sqge, Front, 700mm Linatex, 35.0l        | 1    |
| ▲    | 390936   | Blade, Sqge, Rear, 700mm Gum Rbr [37.5]         | 1    |
| ▽    | 391383   | Squeegee Kit, Oil-Rstn, 800mm                   | 1    |
| ▲    | 391379   | Blade, Sqge, Front, 800mm Oil-Rstn,41.5l        | 1    |
| ▲    | 391380   | Blade, Sqge, Rear, 800mm Oil-Rstn[44.0]         | 1    |
| ▽    | 391385   | Squeegee Kit, Tile, 800mm                       | 1    |
| ▲    | 390923   | Blade, Sqge, Front, 800mm Linatex, 41.5l        | 1    |
| ▲    | 390934   | Blade, Sqge, Rear, Gum Rbr, 800mm[44.0]         | 1    |
|      | 86859    | Squeegee Assy, Side [Linatex] (Disk Scrub Head) | 2    |
|      | 391334   | Squeegee Assy, Side (Cylindrical Scrub Head)    | 2    |
|      | 1011561  | Caster, Swivel, 50d, M10 X 1.5 X 30 Stem        | 2    |
|      | 1013531  | Skirt, Spray, 650mm                             | 1    |
|      | 1011376  | Skirt, Spray, 800mm                             | 1    |
|      | 1010560  | Wheel, Bmpr, 80d X 25w, Non-Marking             | 1    |
|      | 1013611  | Seal, Cover, Recvy                              | 1    |
|      | 1020719  | Seal, Afmkt, Bulb, Clsd Cell, Adh, 8ft          | 1    |
|      | 1020727  | Seal, Afmkt, Bulb, Clsd Cell, Adh, 8ft          | 1    |
|      | 1020301  | Seal, Afmkt, Bulb, Clsd Cell, Adh, 8ft          | 1    |
|      | 1014026  | Hose, Vacuum, 1.50id X 057.1l, 2cuff,Blk        | 1    |
|      | 370114   | Filter Kit, Vacfan                              | 1    |
|      | 1016392  | Gasket, Fltr, Tank                              | 1    |
| ▽    | 1014274  | Hose Assy, Drain, 26.3l (Recovery Tank)         | 1    |
| ▲▽   | 1008639  | Cap, Drain Assembly                             | 1    |
| ▲▲   | 1019563  | Strap, Drain Cap                                | 1    |
| ▲▲   | 1008637  | O Ring, 1.48" Id, 1.76" Od                      | 1    |
| ▽    | 1014268  | Hose Assy, Drain, 29.6l (Solution Tank)         | 1    |
| ▲▽   | 1008639  | Cap, Drain Assembly                             | 5    |
| ▲▲   | 1019563  | Strap, Drain Cap                                | 1    |
| ▲▲   | 1008637  | O Ring, 1.48" Id, 1.76" Od                      | 1    |
|      | 377500   | ① Belt, Synchronous, 05mm 500l[05p,Plychn]      | 2    |
|      | 1035888  | ② Belt, Drive, 6grv, 508 L X 14 W, [6p]         | 2    |
| ▽    | 9004968  | ③ Switch Kit, Key, [T7/Ssr/R14/Strv Rdr]        | 1    |
| ▲    | 361144   | ③ Key, Ignition                                 | 1    |
| ▽    | 1011402  | ④ Switch, Key                                   | 1    |
| ▲    | 1017696  | ④ Key Set, Replmt [F/ Keyswitch 1011402]        | 1    |

① Serial number (00000000-10346424)

② Serial number (10346425- )

③ Serial number (00000000-10403818)

④ Serial number (10403819- )

# GENERAL RECOMMENDED MAINTENANCE

T7, SSR

## General Recommended Maintenance Items

| Ref. | Part No. | Description                              | Qty. |
|------|----------|--|------|
| ▽    | 9006161  | ① Module Kit, Replmt [Ec-H2o]            | 1    |
| ▲    | 9006324  | ① Ec-H2o Kit, Module B, Plumbing         | 1    |
| ▲    | 1054776  | ① Grommet, Blind                         | 1    |
| ▲    | 1013236  | ① Valve, Shutoff, Ele, 24vdc             | 1    |
| ▲    | 1038159  | ① Electrode, Cylindrical                 | 1    |
| ▲    | 1044393  | ① Switch, Rocker, Spst, Mom              | 1    |
| ▲    | 9006159  | ① Controller Kit, Replmt [Ec-H2o]        | 1    |
| ▲    | 1044399  | ① Harness, Main, Controller [Ec-H2o, P3] | 1    |
| ▽    | 9007970  | ② Module Kit, Replmt [Ec-H2o]            | 1    |
| ▲▽   | 9006324  | ② Ec-H2o Kit, Module B, Plumbing         | 1    |
| ▲▲   | 1062006  | ② Electrode, Cylindrical                 | 1    |
| ▲▲   | 1013236  | ② Valve, Shutoff, Ele, 24vdc             | 1    |
| ▲▲   | 1057637  | ② Electrode, 5 Plate, High Flow          | 1    |
| ▲▲   | 1044393  | ② Switch, Rocker, Spst, Mom              | 1    |
| ▲    | 1054776  | ② Grommet, Blind                         | 1    |
| ▲    | 9007969  | ② Controller Kit, Replmt [Ec-H2o]        | 1    |
|      | 1039557  | Fitting, Plstc, Str, Bm04/Bm06           | 1    |
|      | 1050052  | Bracket, Module, Ec-H2o [T7]             | 1    |
|      | 1050394  | Harness Assy, Wire [T7 Ec-H2o]           | 1    |
|      | 1030592  | Seal, Afmkt, Bulb, 90, 0.75d F/11ga 03ft | 1    |
|      | 1051138  | Bracket, Cover, Fast Opng [T7 Ec-H2o]    | 1    |
|      | 1052726  | Alarm, 9-48vdc, 95 Db(A) [Ec-H20]        | 1    |
|      | 1052705  | Fitting, Plstc, Str, Bm04/Bm04           | 1    |
|      | 1052298  | Bracket, Support, Hose [T7]              | 1    |

① Serial number (10419534-10449321)

② Serial number (10449322- )

# SECTION 2

| Contents   | Page | Contents   | Page |
|--|------|--|------|
| Fig. 1 - Replacement Brushes, 650 mm (26 in) ..  | 2-2  | Fig. 29 - Battery Group, 235Ah .....   | 2-62 |
| Fig. 2 - Replacement Brushes, 800 mm (32 in) ..  | 2-4  | Fig. 30 - Rear Squeegee Lift Group, Disk<br>Scrub Head .....                         | 2-64 |
| Fig. 3 - Main Frame Group, Disk Scrub Head ...   | 2-6  | Fig. 31 - Rear Squeegee Lift Group, Cylindrical<br>Scrub Head .....                  | 2-66 |
| Fig. 4 - Main Frame Group, Cylindrical Scrub Head,<br>700 mm (28 in) (S/N 10448499- )          | 2-8  | Fig. 32 - Rear Squeegee Group, 650 mm<br>(26 in) .....                               | 2-68 |
| Fig. 5 - Main Frame Group, Cylindrical Scrub Head,<br>800 mm (32 in)<br>(S/N 10448499- ) ..... | 2-10 | Fig. 33 - Rear Squeegee Group, 800 mm<br>(32 in) .....                               | 2-70 |
| Fig. 6 - Main Frame Group, Cylindrical Scrub Head<br>(S/N 00000000-10448498) .....             | 2-12 | Fig. 34 - Circuit Board Group .....  | 2-72 |
| Fig. 7 - Seat Group .....  | 2-14 | Fig. 35 - Electrical Group .....   | 2-74 |
| Fig. 8 - Steering Group .....  | 2-17 | Fig. 36 - Electrical Schematic, Standard & FaST<br>Model (S/N 10426043- ) ..         | 2-76 |
| Fig. 9 - Instrument Panel Group .....  | 2-19 | Fig. 37 - Electrical Schematic, Standard & FaST<br>Model (S/N 00000000-10426042) ... | 2-78 |
| Fig. 10 - Front Drive Wheel Group .....  | 2-21 | Fig. 38 - Electrical Schematic, ec-H2O Model<br>(S/N 10419534- ) .....               | 2-80 |
| Fig. 11 - Brake Pedal and Accelerator Pedal Group<br>(S/N 10508137- ) .....                    | 2-23 | Fig. 40 - Wire Harnesses Group, Main<br>(S/N 10236152-10426042) .....                | 2-85 |
| Fig. 12 - Brake Pedal and Accelerator Pedal Group<br>(S/N 00000000-10508136) .....             | 2-25 | Fig. 41 - Wire Harnesses Group, Main<br>(S/N 00000000-10236151) .....                | 2-88 |
| Fig. 13 - Disk Scrub Head Lift Group .....   | 2-27 | Fig. 42 - Wire Harnesses Group, Tank .....   | 2-91 |
| Fig. 14 - Disk Scrub Head Drive Motor Group,<br>650 mm (26 in) .....                           | 2-29 | Fig. 43 - Wire Harnesses Group, ec-H2O Option<br>(S/N 10419534- ) .....              | 2-92 |
| Fig. 15 - Disk Scrub Head Drive Motor Group,<br>800 mm (32 in) .....                           | 2-31 | Fig. 44 - Label Group .....  | 2-93 |
| Fig. 16 - Disk Scrub Head Side Squeegee Group,<br>Right .....                                  | 2-33 |  |      |
| Fig. 17 - Disk Scrub Head Side Squeegee Group,<br>Left .....                                   | 2-35 |  |      |
| Fig. 18 - Cylindrical Scrub Head Lift Group ...  | 2-37 |  |      |
| Fig. 19 - Cylindrical Scrub Head Group,<br>700mm (28 in) .....                                 | 2-39 |  |      |
| Fig. 20 - Cylindrical Scrub Head Group,<br>800mm (32 in) .....                                 | 2-41 |  |      |
| Fig. 21 - Cylindrical Scrub Head Drive Group,<br>Right Side .....                              | 2-43 |  |      |
| Fig. 22 - Cylindrical Scrub Head Drive Group,<br>Left Side .....                               | 2-45 |  |      |
| Fig. 23 - Cylindrical Scrub Head Squeegee<br>Group .....                                       | 2-47 |  |      |
| Fig. 24 - Recovery Tank Group .....  | 2-49 |  |      |
| Fig. 25 - Vacuum Fan Group .....   | 2-52 |  |      |
| Fig. 26 - Solution Tank Group, Disk<br>Scrub Head .....  | 2-54 |  |      |
| Fig. 27 - Solution Tank Group, Cylindrical<br>Scrub Head .....                                 | 2-57 |  |      |
| Fig. 28 - Tanks Drain Group .....  | 2-60 |  |      |

Fig. 1 - Replacement Brushes, 650 mm (26 in)

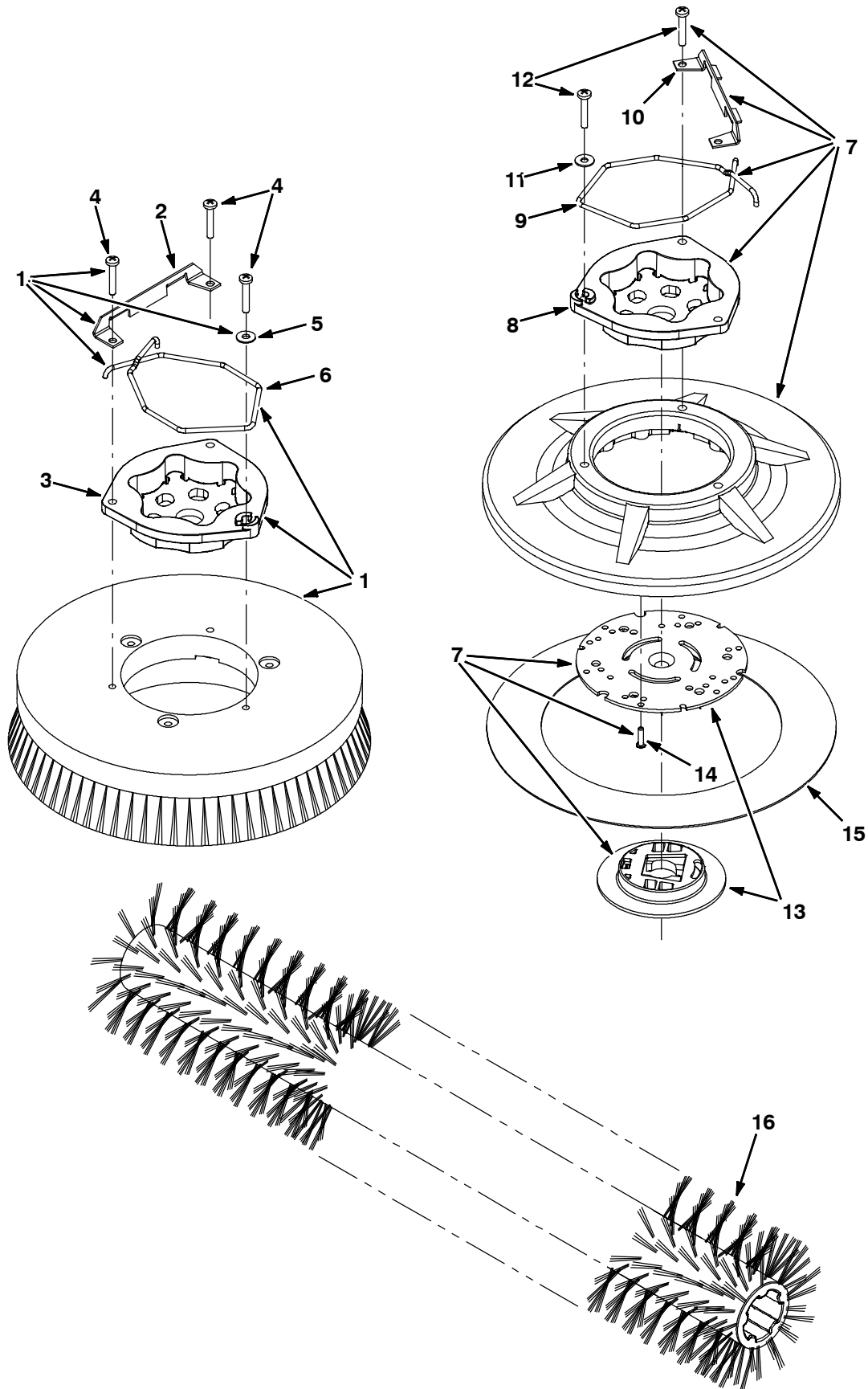


Fig. 1 - Replacement Brushes, 650 mm (26 in)

| Ref. | Part No. | Description | Qty.  |   |
|------|----------|-------------|---|---|
| ▽    | 1        | 1018377     | Brush Assy, Disk, Scb, 13.0 D, Soft Nylon     | 2 |
| ▲    | 2        | 24299       | Bracket, Retainer, Spring                     | 1 |
| ▲    | 3        | 1017368     | Hub, Drive, Brush, Disk, 3hole 5.8bc          | 1 |
| ▲    | 4        | 32746       | Screw, Pan, M6 X 1.0 X 35, Ss                 | 3 |
| ▲    | 5        | 01684       | Washer, Flat, 0.25 Ss                         | 1 |
| ▲    | 6        | 1017957     | Spring, Retaining, Brush                      | 1 |
| ▽    | 1        | 1014346     | Brush Assy, Disk, Scb, 13.0 D, Polypropylene  | 2 |
| ▲    | 2        | 24299       | Bracket, Retainer, Spring                     | 1 |
| ▲    | 3        | 1017368     | Hub, Drive, Brush, Disk, 3hole 5.8bc          | 1 |
| ▲    | 4        | 32746       | Screw, Pan, M6 X 1.0 X 35, Ss                 | 3 |
| ▲    | 5        | 01684       | Washer, Flat, 0.25 Ss                         | 1 |
| ▲    | 6        | 1017957     | Spring, Retaining, Brush                      | 1 |
| ▽    | 1        | 1018457     | Brush Assy, Disk, Scb, 13.0 D, Super Abrasive | 2 |
| ▲    | 2        | 24299       | Bracket, Retainer, Spring                     | 1 |
| ▲    | 3        | 1017368     | Hub, Drive, Brush, Disk, 3hole 5.8bc          | 1 |
| ▲    | 4        | 32746       | Screw, Pan, M6 X 1.0 X 35, Ss                 | 3 |
| ▲    | 5        | 01684       | Washer, Flat, 0.25 Ss                         | 1 |
| ▲    | 6        | 1017957     | Spring, Retaining, Brush                      | 1 |
| ▽    | 7        | 379013      | Driver Assy, Pad, 13.0d                       | 2 |
| ▲    | 8        | 1017368     | Hub, Drive, Brush, Disk, 3hole 5.8bc          | 1 |
| ▲    | 9        | 1017957     | Spring, Retaining, Brush                      | 1 |
| ▲    | 10       | 24299       | Bracket, Retainer, Spring                     | 1 |
| ▲    | 11       | 01684       | Washer, Flat, 0.25 Ss                         | 1 |
| ▲    | 12       | 32746       | Screw, Pan, M6 X 1.0 X 35, Ss                 | 3 |
| ▲    | 13       | 370095      | Device, Centering                             | 1 |
| ▲    | 14       | 360943      | Screw, Pan, #10-14 X 0.75, F/Plstc            | 3 |
|      | 15       | 89046       | Pad, Stripping, 13.0d, Brown [1pad=1pc]       | 2 |
|      | 15       | 89047       | Pad, Scrub, 13.0d, Blue                       | 2 |
|      | 15       | 89048       | Pad, Buff, 13.0d, Red [1pad=1pc]              | 2 |
|      | 15       | 89049       | Pad, Polish, 13.0d, White [1pad=1pc]          | 2 |
|      | 15       | 1051024     | Pad, Surf Prep, 13.0d [Mar, 1pick=1pad]       | 2 |
|      | 16       | 222305      | Brush, Scb, 28l, Soft Nylon                   | 1 |
|      | 16       | 222306      | Brush, Scb, 28l, Abrasive                     | 1 |
|      | 16       | 222304      | Brush, Scb, 28l, Polypropylene Grout          | 1 |
|      | 16       | 374041      | Brush, Scb, 28l, Polypropylene                | 1 |

Fig. 2 - Replacement Brushes, 800 mm (32 in)

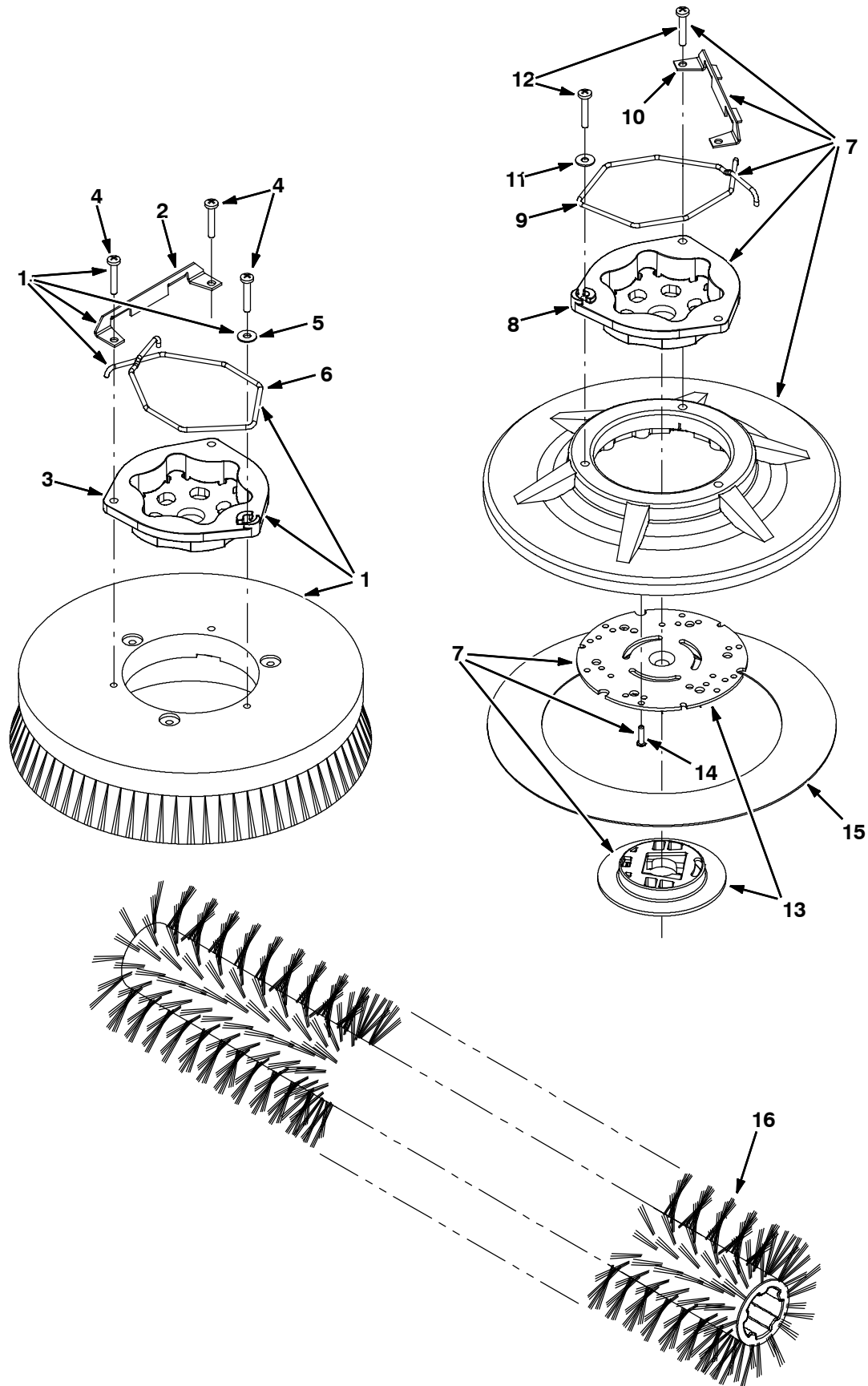




Fig. 2 - Replacement Brushes, 800 mm (32 in)

| Ref. | Part No.   | Description                                   | Qty. |
|------|------------|---|------|
| ▽    | 1 1016634  | Brush Assy, Disk, Scb, 16.0 D, Soft Nylon     | 2    |
| ▲    | 2 24299    | Bracket, Retainer, Spring                     | 1    |
| ▲    | 3 1017368  | Hub, Drive, Brush, Disk, 3hole 5.8bc          | 1    |
| ▲    | 4 32746    | Screw, Pan, M6 X 1.0 X 35, Ss                 | 3    |
| ▲    | 5 01684    | Washer, Flat, 0.25 Ss                         | 1    |
| ▲    | 6 1017957  | Spring, Retaining, Brush                      | 1    |
| ▽    | 1 1016633  | Brush Assy, Disk, Scb, 16.0 D, Polypropylene  | 2    |
| ▲    | 2 24299    | Bracket, Retainer, Spring                     | 1    |
| ▲    | 3 1017368  | Hub, Drive, Brush, Disk, 3hole 5.8bc          | 1    |
| ▲    | 4 32746    | Screw, Pan, M6 X 1.0 X 35, Ss                 | 3    |
| ▲    | 5 01684    | Washer, Flat, 0.25 Ss                         | 1    |
| ▲    | 6 1017957  | Spring, Retaining, Brush                      | 1    |
| ▽    | 1 1018455  | Brush Assy, Disk, Scb, 16.0 D, Super Abrasive | 2    |
| ▲    | 2 24299    | Bracket, Retainer, Spring                     | 1    |
| ▲    | 3 1017368  | Hub, Drive, Brush, Disk, 3hole 5.8bc          | 1    |
| ▲    | 4 32746    | Screw, Pan, M6 X 1.0 X 35, Ss                 | 3    |
| ▲    | 5 01684    | Washer, Flat, 0.25 Ss                         | 1    |
| ▲    | 6 1017957  | Spring, Retaining, Brush                      | 1    |
| ▽    | 7 379016   | Driver Assy, Pad, 16.0d                       | 2    |
| ▲    | 8 1017368  | Hub, Drive, Brush, Disk, 3hole 5.8bc          | 1    |
| ▲    | 9 1017957  | Spring, Retaining, Brush                      | 1    |
| ▲    | 10 24299   | Bracket, Retainer, Spring                     | 1    |
| ▲    | 11 01684   | Washer, Flat, 0.25 Ss                         | 1    |
| ▲    | 12 32746   | Screw, Pan, M6 X 1.0 X 35, Ss                 | 3    |
| ▲    | 13 370095  | Device, Centering                             | 1    |
| ▲    | 14 360943  | Screw, Pan, #10-14 X 0.75, F/Plstc            | 3    |
|      | 15 370092  | Pad, Stripping, 16.0d [Hi Prod 1pad=1pc]      | 2    |
|      | 15 63248-1 | Pad, Stripping, 16.0d, Brown [1pad=1pc]       | 2    |
|      | 15 63248-2 | Pad, Scb, 16.0d, Blu [1pad=1pc]               | 2    |
|      | 15 63248-3 | Pad, Buff, 16.0d, Red                         | 2    |
|      | 15 1051027 | Pad, Surf Prep, 16.0d [Mar, 1pick=1pad]       | 2    |
|      | 15 63248-4 | Pad, Polish, 16.0d, White [1pad=1pc]          | 2    |
|      | 16 222308  | Brush, Scb, 32l, Soft Nylon                   | 1    |
|      | 16 222309  | Brush, Scb, 32l, Abrasive                     | 1    |
|      | 16 222307  | Brush, Scb, 32l, Polypropylene Grout          | 1    |
|      | 16 374042  | Brush, Scb, 32l, Polypropylene                | 1    |

**Fig. 3 - Main Frame Group, Disk Scrub Head**

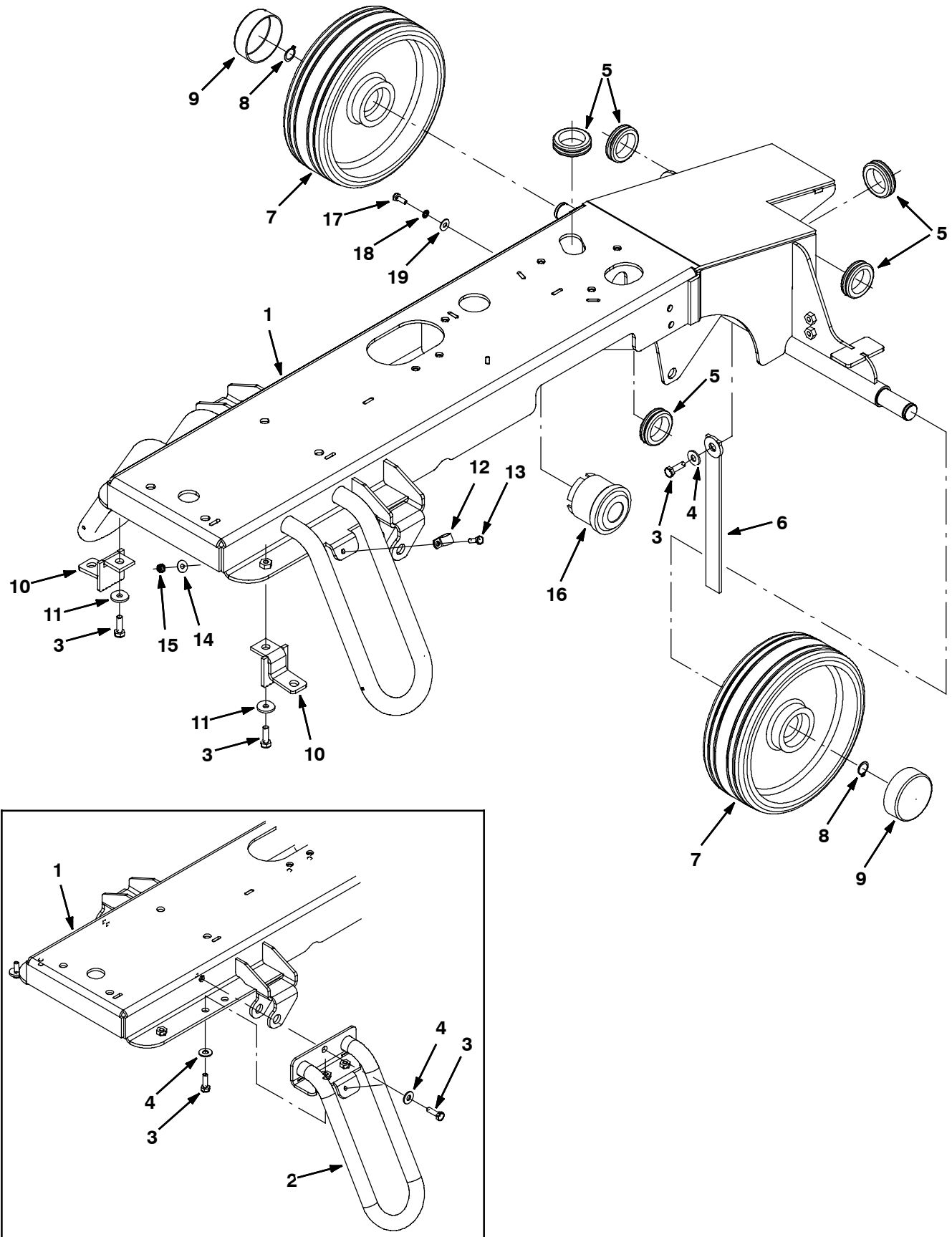


Fig. 3 - Main Frame Group, Disk Scrub Head

| Ref. | Part No. | Description                             | Qty. |
|------|----------|---|------|
| 1    | 1054028  | ② Frame Wldt, Main, Disk [T7]           | 1    |
| 1    | 1010160  | ① Frame Wldt [T7] (Replaced By 1054028) | 1    |
| 2    | 1010556  | ① Stabilizer Wldt (Replaced By 1054028) | 2    |
| 3    | 09010    | ② Screw, Hex, M8 X 1.25 X 25, Ss        | 3    |
| 3    | 09010    | ① Screw, Hex, M8 X 1.25 X 25, Ss        | 9    |
| 4    | 01685    | ② Washer, Flat, 0.31 Ss                 | 1    |
| 4    | 01685    | ① Washer, Flat, 0.31 Ss                 | 7    |
| 5    | 10632-13 | Grommet, Rbr, 1.50id, F/ 1.8h, .19matl  | 5    |
| 6    | 1014318  | Strap, Static                           | 1    |
| 7    | 1038560  | Tire Assy, Solid, 250mmx80mm, 25mm Id   | 2    |
| 8    | 09005    | Ring, Retaining, Ext, 1.00D, Basic      | 2    |
| 9    | 1016957  | Cap, Vyl, 70mm Id X 25mm L              | 2    |
| 10   | 1017688  | Bracket Wldt, Stand, Jack               | 2    |
| 11   | 1017218  | Washer, Flat, 0.321b 1.00d .12, Ss      | 2    |
| 12   | 26395-1  | Clamp, Cable, Stl, 0.56D X 0.38W, 1H    | 1    |
| 13   | 08716    | Screw, Hex, M6 X 1.0 X 20, Ss           | 1    |
| 14   | 01684    | Washer, Flat, 0.25 Ss                   | 1    |
| 15   | 08712    | Nut, Hex, Lock, M6 X 1.0, Ss, NI        | 1    |
| 16   | 1018505  | Horn, 12-48vdc                          | 1    |
| 17   | 15678    | Screw, Hex, M6 X 1.0 X 16, Ss           | 1    |
| 18   | 07515    | Washer, Lock, Int, .25, Ss              | 1    |
| 19   | 01684    | Washer, Flat, 0.25 Ss                   | 2    |

① Serial number (00000000-10441902)

② Serial number (10441903- )

# STANDARD PARTS

Fig. 4 - Main Frame Group, Cylindrical Scrub Head, 700 mm (28 in) (S/N 10448499- )

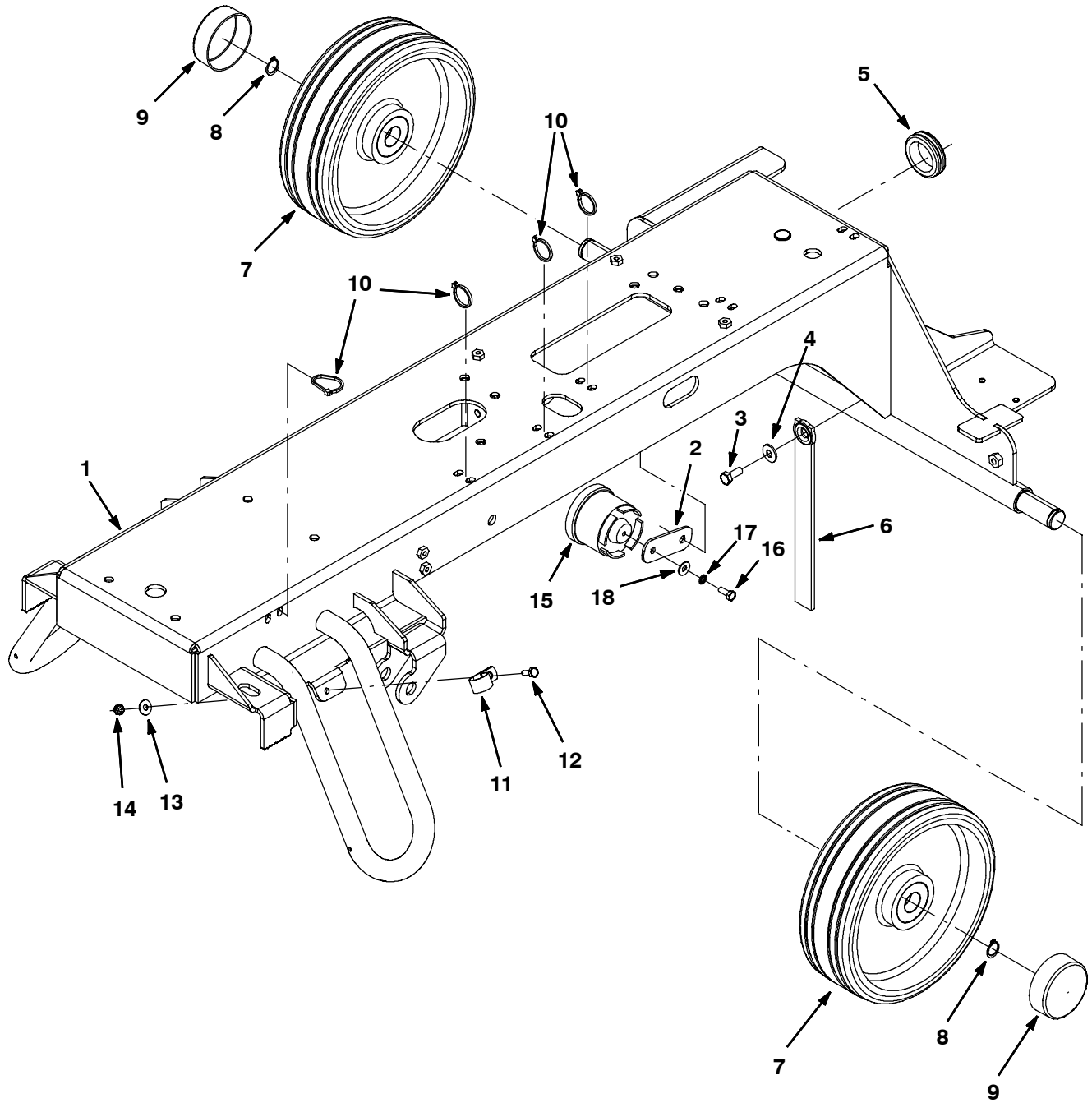


Fig. 4 - Main Frame Group, Cylindrical Scrub Head, 700 mm (28 in) (S/N 10448499- )

| Ref. | Part No. | Description                              | Qty. |
|------|----------|--|------|
| 1    | 1054035  | ② Frame Wldt, Main [R14, T7 Cyl]         | 1    |
| 2    | 1025354  | Plate, Mtg, Horn                         | 1    |
| 3    | 09740    | ② Screw, Hex, M8 X 1.25 X 20, Ss         | 1    |
| 4    | 01685    | ② Washer, Flat, 0.31 Ss                  | 1    |
| 5    | 10632-13 | Grommet, Rbr, 1.50id, F/ 1.8h, .19matl   | 1    |
| 6    | 71579    | Strap, Static, .19 1.1w 25.0l W/ Grommet | 1    |
| 7    | 1038560  | Tire Assy, Solid, 250mmx80mm, 25mm Id    | 2    |
| 8    | 09005    | Ring, Retaining, Ext, 1.00D, Basic       | 2    |
| 9    | 1016957  | Cap, Vyl, 70mm Id X 25mm L               | 2    |
| 10   | 49263    | Tie, Cable, Nyl, 11.4l .19w 3.0 Max D    | 4    |
| 11   | 26395-1  | Clamp, Cable, Stl, 0.56D X 0.38W, 1H     | 1    |
| 12   | 08716    | Screw, Hex, M6 X 1.0 X 20, Ss            | 1    |
| 13   | 01684    | Washer, Flat, 0.25 Ss                    | 1    |
| 14   | 08712    | Nut, Hex, Lock, M6 X 1.0, Ss, NI         | 1    |
| 15   | 1018505  | Horn, 12-48vdc                           | 1    |
| 16   | 15678    | Screw, Hex, M6 X 1.0 X 16, Ss            | 1    |
| 17   | 07515    | Washer, Lock, Int, .25, Ss               | 1    |
| 18   | 01684    | Washer, Flat, 0.25 Ss                    | 2    |

② Serial number (10448499- )

# STANDARD PARTS

Fig. 5 - Main Frame Group, Cylindrical Scrub Head, 800 mm (32 in) (S/N 10448499- )

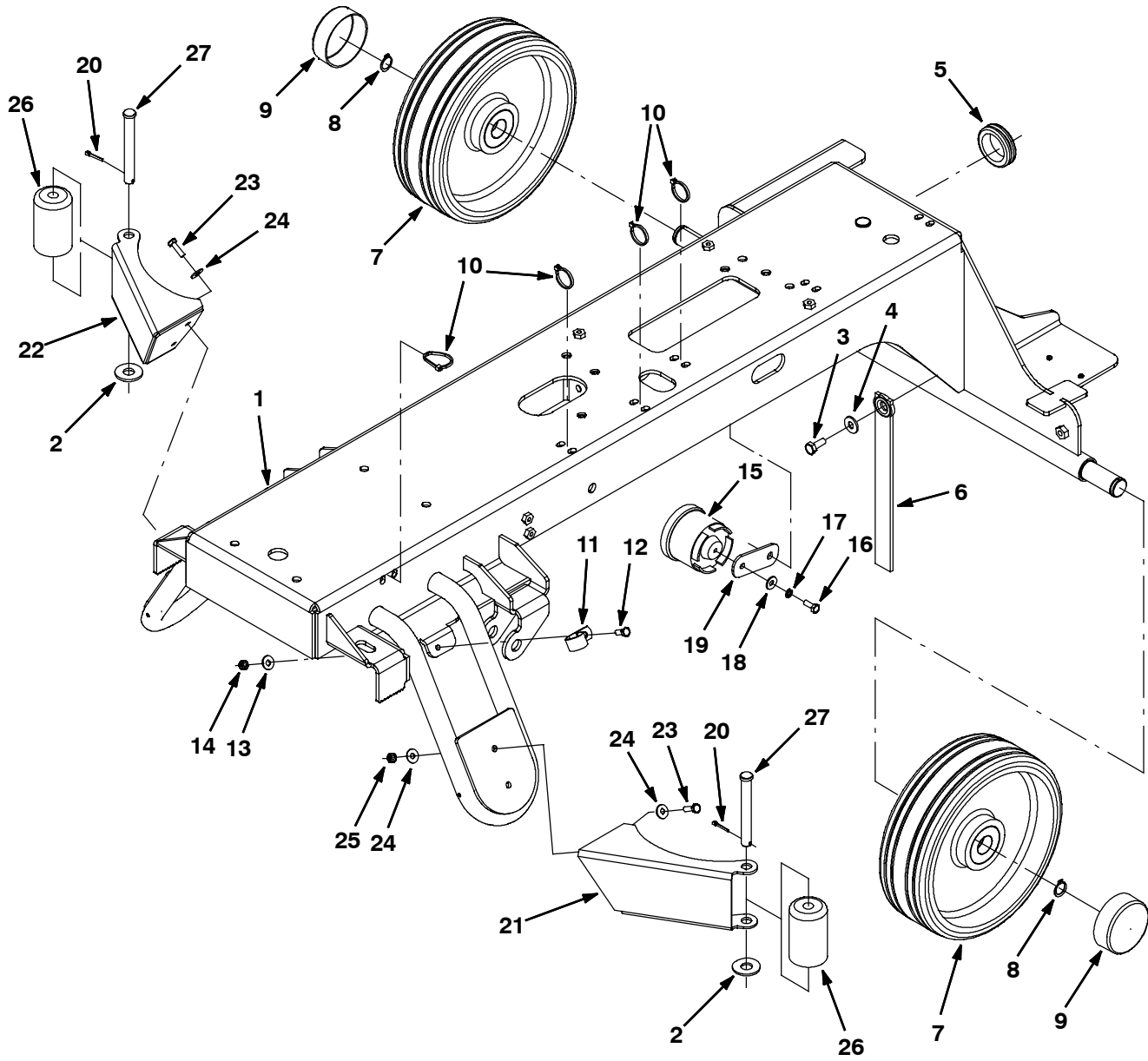


Fig. 5 - Main Frame Group, Cylindrical Scrub Head, 800 mm (32 in) (S/N 10448499- )

| Ref. | Part No. | Description  | Qty. |
|------|----------|--|------|
| 1    | 1056133  | ② Frame Wldt, Main, 80cm [R14, T7 Cyl]             | 1    |
| 2    | 41619    | Washer, Flat, 0.56b 1.38d .11, Ss                  | 2    |
| 3    | 09740    | ② Screw, Hex, M8 X 1.25 X 20, Ss                   | 3    |
| 4    | 01685    | ② Washer, Flat, 0.31 Ss                            | 1    |
| 5    | 10632-13 | Grommet, Rbr, 1.50id, F/ 1.8h, .19matl             | 1    |
| 6    | 71579    | Strap, Static, .19 1.1w 25.0l W/ Grommet           | 1    |
| 7    | 1038560  | Tire Assy, Solid, 250mmx80mm, 25mm Id              | 2    |
| 8    | 09005    | Ring, Retaining, Ext, 1.00D, Basic                 | 2    |
| 9    | 1016957  | Cap, Vyl, 70mm Id X 25mm L                         | 2    |
| 10   | 49263    | Tie, Cable, Nyl, 11.4l .19w 3.0 Max D              | 4    |
| 11   | 26395-1  | Clamp, Cable, Stl, 0.56D X 0.38W, 1H               | 1    |
| 12   | 08716    | Screw, Hex, M6 X 1.0 X 20, Ss                      | 1    |
| 13   | 01684    | Washer, Flat, 0.25 Ss                              | 1    |
| 14   | 08712    | Nut, Hex, Lock, M6 X 1.0, Ss, NI                   | 1    |
| 15   | 1018505  | Horn, 12-48vdc                                     | 1    |
| 16   | 15678    | Screw, Hex, M6 X 1.0 X 16, Ss                      | 1    |
| 17   | 07515    | Washer, Lock, Int, .25, Ss                         | 1    |
| 18   | 01684    | Washer, Flat, 0.25 Ss                              | 2    |
| 19   | 1025354  | Plate, Mtg, Horn                                   | 1    |
| 20   | 08346    | Pin, Cotter, .125 X 0.75                           | 2    |
| 21   | 1033355  | Bracket, Guard, Lh (800cyl. Scrubhead)             | 1    |
| 22   | 1032971  | Bracket, Guard, Rh (800cyl. Scrubhead)             | 1    |
| 23   | 08716    | Screw, Hex, M6 X 1.0 X 20, Ss                      | 4    |
| 24   | 01684    | Washer, Flat, 0.25, Ss                             | 8    |
| 25   | 08712    | Nut, Hex, Lock, M6 X 1.00, Ss, NI                  | 4    |
| 26   | 222178   | Roller, Pyu, 1.88d 0.53b 3.05l (800cyl. Scrubhead) | 2    |
| 27   | 51528    | Pin, Clevis, 0.50d X 4.00l                         | 2    |

② Serial number (10448499- )

# STANDARD PARTS

Fig. 6 - Main Frame Group, Cylindrical Scrub Head (S/N 0000000-10448498)

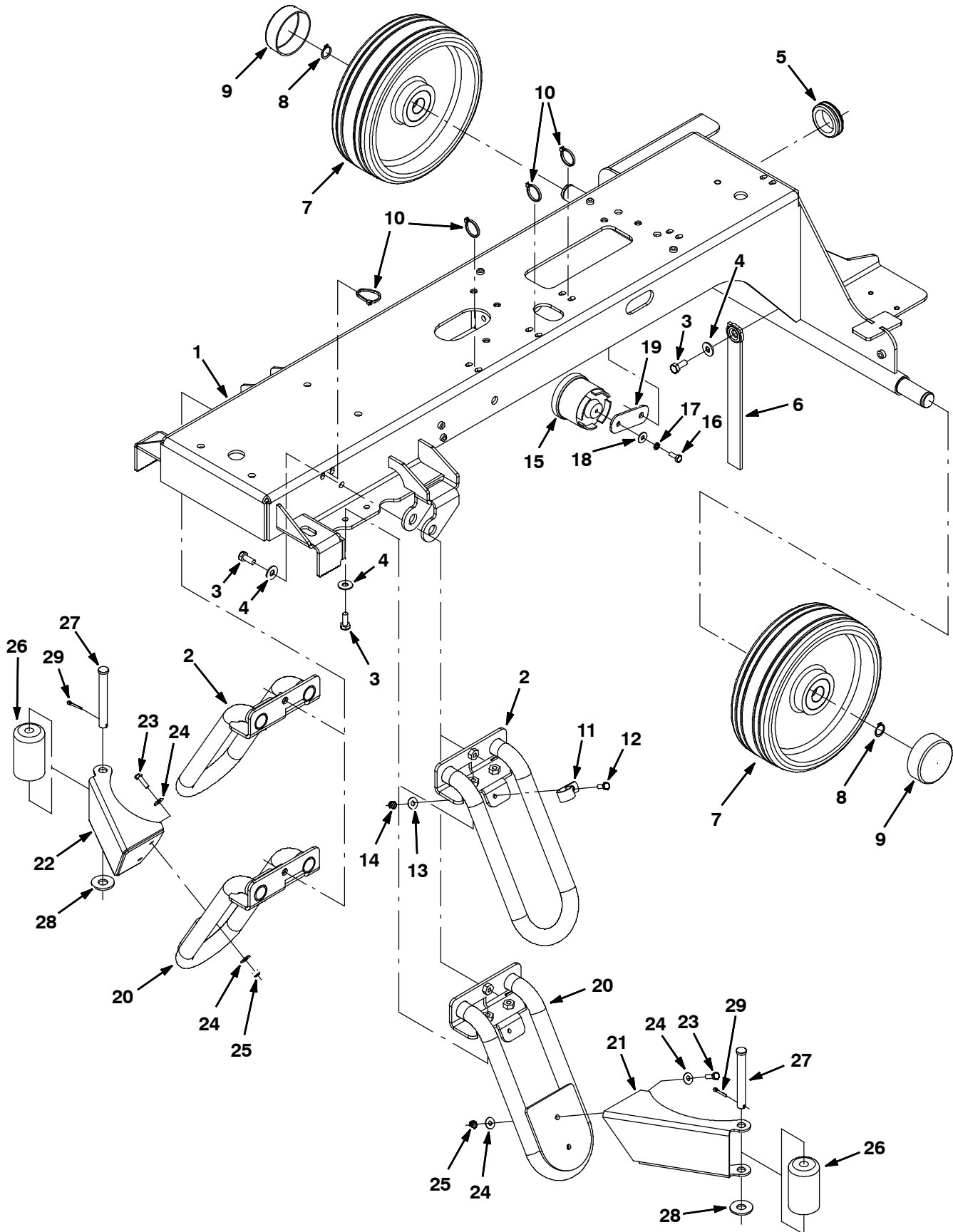




Fig. 6 - Main Frame Group, Cylindrical Scrub Head (S/N 00000000-10448498)

| Ref. | Part No. | Description   | Qty. |
|------|----------|---|------|
| 1    | 1023551  | ① Frame, Wldt (Replaced By 1054035 for 700 mm & 1056133 for 800 mm) | 1    |
| 2    | 1025473  | ① Stabilizer Wldt (700cyl. Scrubhead) (Replaced By 1054035)         | 2    |
| 3    | 09740    | ① Screw, Hex, M8 X 1.25 X 20, Ss                                    | 7    |
| 4    | 01685    | ① Washer, Flat, 0.31 Ss   | 7    |
| 5    | 10632-13 | Grommet, Rbr, 1.50id, F/ 1.8h, .19matl                              | 1    |
| 6    | 71579    | Strap, Static, .19 1.1w 25.0l W/ Grommet                            | 1    |
| 7    | 1038560  | Tire Assy, Solid, 250mmx80mm, 25mm Id                               | 2    |
| 8    | 09005    | Ring, Retaining, Ext, 1.00D, Basic                                  | 2    |
| 9    | 1016957  | Cap, Vyl, 70mm Id X 25mm L  | 2    |
| 10   | 49263    | Tie, Cable, Nyl, 11.4l .19w 3.0 Max D                               | 4    |
| 11   | 26395-1  | Clamp, Cable, Stl, 0.56D X 0.38W, 1H                                | 1    |
| 12   | 08716    | Screw, Hex, M6 X 1.0 X 20, Ss                                       | 1    |
| 13   | 01684    | Washer, Flat, 0.25 Ss   | 1    |
| 14   | 08712    | Nut, Hex, Lock, M6 X 1.0, Ss, NI                                    | 1    |
| 15   | 1018505  | Horn, 12-48vdc  | 1    |
| 16   | 15678    | Screw, Hex, M6 X 1.0 X 16, Ss                                       | 1    |
| 17   | 07515    | Washer, Lock, Int, .25, Ss  | 1    |
| 18   | 01684    | Washer, Flat, 0.25 Ss   | 2    |
| 19   | 1025354  | Plate, Mtg, Horn  | 1    |
| 20   | 1032947  | ① Stabilizer Wldt, W/ Rlr (800cyl. Scrubhead) (Replaced By 1056133) | 2    |
| 21   | 1033355  | Bracket, Guard, Lh (800cyl. Scrubhead)                              | 1    |
| 22   | 1032971  | Bracket, Guard, Rh (800cyl. Scrubhead)                              | 1    |
| 23   | 08716    | Screw, Hex, M6 X 1.0 X 20, Ss (800cyl. Scrubhead)                   | 4    |
| 24   | 01684    | Washer, Flat, 0.25, Ss (800cyl. Scrubhead)                          | 8    |
| 25   | 08712    | Nut, Hex, Lock, M6 X 1.00, Ss, NI (800cyl. Scrubhead)               | 4    |
| 26   | 222178   | Roller, Pyu, 1.88d 0.53b 3.05l (800cyl. Scrubhead)                  | 2    |
| 27   | 51528    | Pin, Clevis, 0.50d X 4.00l (800cyl. Scrubhead)                      | 2    |
| 28   | 41619    | Washer, Flat, 0.56b 1.38d .11, Ss (800cyl. Scrubhead)               | 2    |
| 29   | 08346    | Pin, Cotter, .125 X 0.75 (800cyl. Scrubhead)                        | 2    |

① Serial number (00000000-10448498)

Fig. 7 - Seat Group

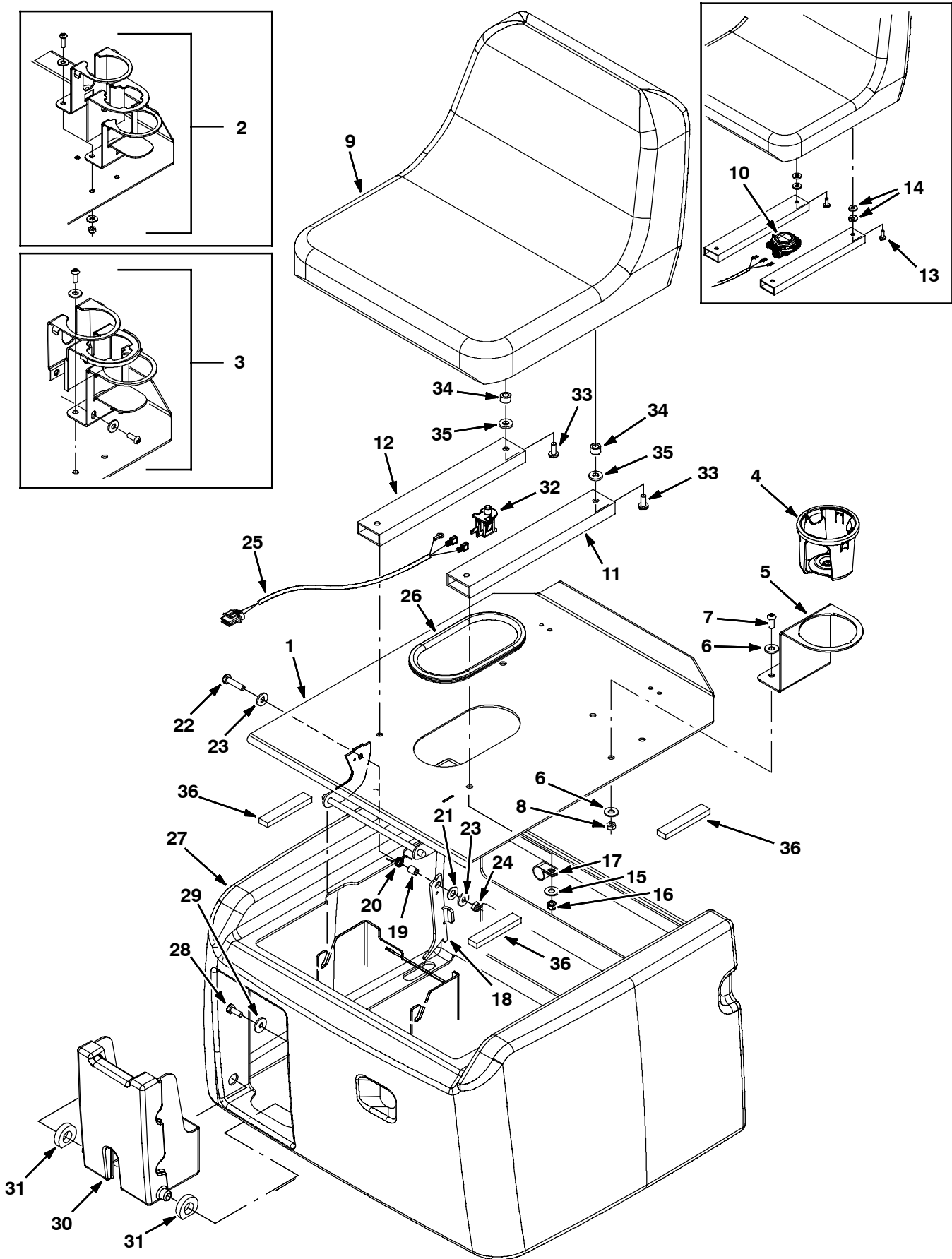


Fig. 7 - Seat Group

| Ref. | Part No. | Description                                      | Qty. |
|------|----------|--|------|
| 1    | 1015406  | Plate, Seat, W/ Label                            | 1    |
| 2    | 1038062  | ③ Holder Kit, Cup, Assy [T7]                     | 1    |
| 3    | 1038062  | ④ Holder Kit, Cup, Assy [T7]                     | 1    |
| 4    | 1025867  | ⑤ Holder, Cup, Blk [T7]                          | 1    |
| 5    | 1038081  | ⑤ Holder, Cup, Brkt, Blk, [T7]                   | 1    |
| 6    | 1016435  | Washer, Flat, 0.52b 0.75d .06, Stl, Blk          | 4    |
| 7    | 01685    | Washer, Flat, 0.31 Ss                            | 2    |
| 8    | 08709    | Nut, Hex, Lock, M8 X 1.25, NI                    | 2    |
| 9    | 9005082  | ⑥ Seat Kit, Std, Replmt                          | 1    |
| 9    | 1048932  | ⑦ Seat, Std [Michigan, Model V-2505]             | 1    |
| 10   | 223078   | ⑥ Switch, Seat, No [Delta 6500]                  | 1    |
| 11   | 1017054  | Rail, Adj, Slide, Seat, 11.5l, W/ Latch          | 1    |
| 12   | 1017053  | Rail, Adj, Slide, Seat, 11.5l                    | 1    |
| 13   | 25537    | ⑥ Screw, Pan, Phl, .31-18 X 0.75, G2             | 4    |
| 14   | 69461    | ⑥ Washer, Flat, 0.38b 0.88d .12, Stl, PI         | 8    |
| 15   | 32491    | Washer, Flat, 0.31 Std                           | 4    |
| 16   | 01760    | Nut, Hex, Lock, .31-18, NI, Thin                 | 4    |
| 17   | 46236    | Clamp, Cable, Stl, 0.25D X 0.56W, 1H             | 1    |
| 18   | 1016000  | Plate, Stop, Seat                                | 1    |
| 19   | 1017699  | Sleeve, P/M, 0.437d 0.318b 0.57l 430ss           | 1    |
| 20   | 10928    | Spring, Tors, 0.49id .05wir 05.0coil             | 1    |
| 21   | 1018151  | Washer, Flat, 0.44b 0.88d .06, Nyl               | 1    |
| 22   | 09023    | Screw, Hex, M8 X 1.25 X 35, Ss, FI               | 1    |
| 23   | 01685    | Washer, Flat, 0.31 Ss                            | 2    |
| 24   | 08713    | Nut, Hex, Lock, M8 X 1.25, NI, Ss                | 1    |
| 25   | 223330   | ① Harness, Switch, Seat, [7200]                  | 1    |
| 25   | 391951   | ② Harness, Seat, [ T7/Ssr ]                      | 1    |
| 26   | 1020170  | Molding, Afmkt, Trim, Pvc, .08-.11, 2ft          | 1    |
| 27   | 9003039  | Cover, Box, Battery, Afmkt, Spruce[Ssr]          | 1    |
| 28   | 09740    | Screw, Hex, M8 X 1.25 X 20, Ss                   | 2    |
| 29   | 1017218  | Washer, Flat, 0.321b 1.00d .12, Ss               | 2    |
| 30   | 1014169  | Box, Holder, Trimmed, Nobles [Fast]              | 1    |
| 31   | 1016553  | Seal, Rbr  | 2    |
| 32   | 1048955  | ⑦ Switch, Seat, No [Delta 6440-04]               | 1    |
| 33   | 49177    | ⑦ Screw, Pan, Phl, .31-18 X 1.00, G2             | 4    |
| 34   | 1051052  | ⑦ Spacer, Rnd, .38b .88d .38l                    | 4    |
| 35   | 69461    | ⑦ Washer, Flat, 0.38b 0.88d .12, Stl, PI         | 4    |
| 36   | 1046428  | Seal, Afmkt, Rbr, Clsd, Adh, 02ft (ec-H2O Model) | 1    |

① Serial number (00000000-10236151)

② Serial number (10236152- )

③ Serial number (00000000-10226853)

④ Serial number (10226854-10382115)

⑤ Serial number (10382116- )

⑥ Serial number (00000000-10400496)

⑦ Serial number (10400497- )

Fig. 8 - Steering Group

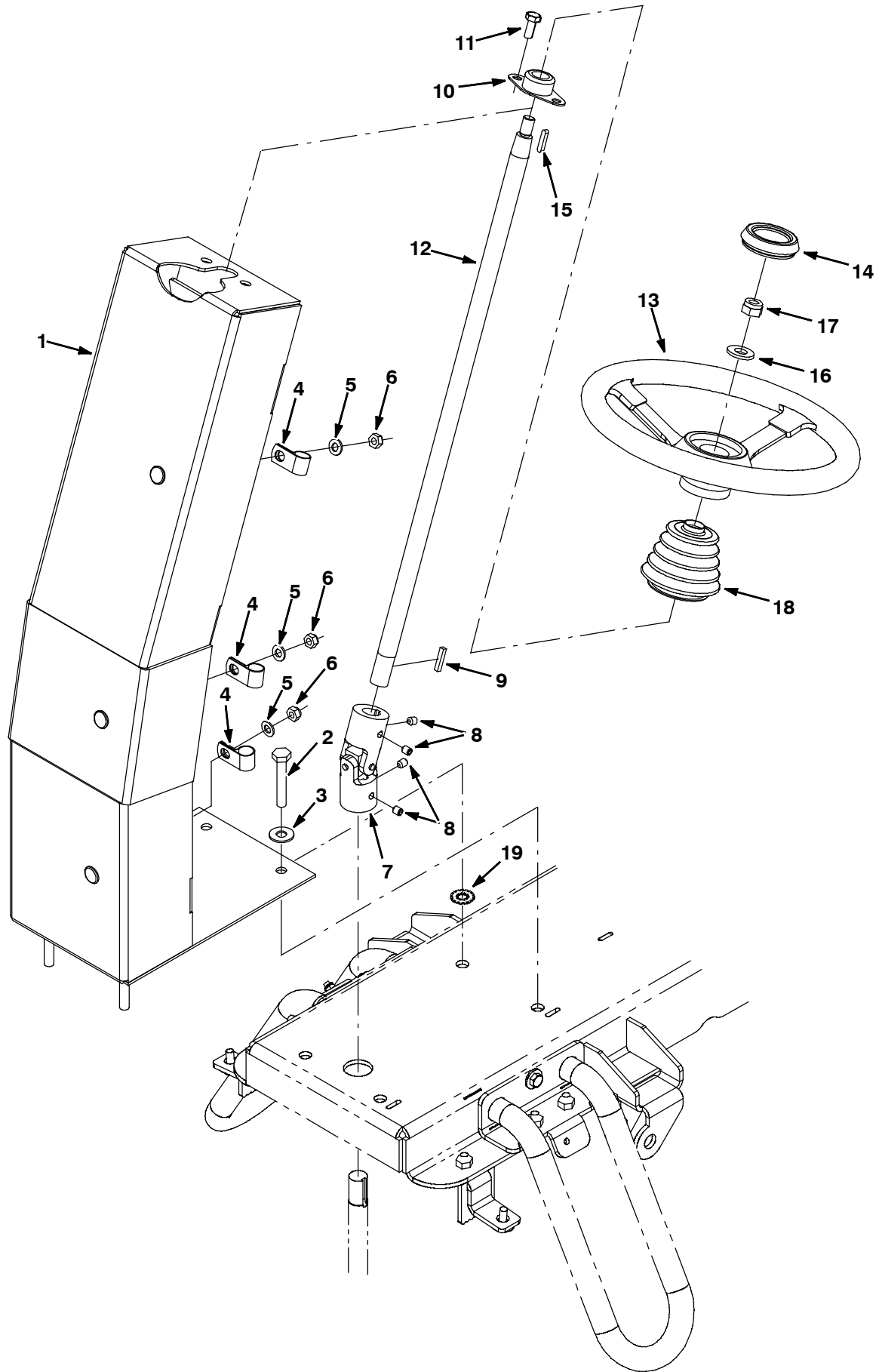


Fig. 8 - Steering Group

| Ref. | Part No. | Description                            | Qty. |
|------|----------|--|------|
| 1    | 1018561  | Support Wldt, Steering                 | 1    |
| 2    | 04417    | Screw, Hex, M10 X 1.5 X 60, Ss         | 4    |
| 3    | 01686    | Washer, Flat, 0.44b 1.00 .08, Ss       | 4    |
| 4    | 69234    | Clamp, Cable, Stl, 1.00d X 0.62w, 1h   | 3    |
| 5    | 39349    | Washer, Flat, 0.31 Sae                 | 3    |
| 6    | 08709    | Nut, Hex, Lock, M8 X 1.25, NI          | 3    |
| 7    | 1040295  | Joint, U, 0.75id                       | 1    |
| 8    | 46820    | Screw, Set, .31-18 X 0.38, NI          | 4    |
| 9    | 00912    | Key, Sq, 0.19 X 0.19, 1.00l            | 1    |
| 10   | 223065   | Bearing, Flng, 2-Hole, 0.75b [Nyl]     | 1    |
| 11   | 09740    | Screw, Hex, M8 X 1.25 X 20, Ss         | 2    |
| 12   | 1013164  | Shaft, Steering, Wheel                 | 1    |
| 13   | 1012002  | Wheel, Steering, 300mm                 | 1    |
| 14   | 1019706  | Cap, Steering Wheel                    | 1    |
| 15   | 1014328  | Key, Sq, 05mm X 05mm, 25l              | 1    |
| 16   | 64154    | Washer, Flat, 0.53b 1.12d .11, Stl, Pl | 1    |
| 17   | 08711    | Nut, Hex, Lock, M12 X 1.75, NI         | 1    |
| 18   | 1012437  | Bellows, Shaft, Steering               | 1    |
| 19   | 41142    | Washer, Lock, Int-ext, 0.38            | 1    |

Fig. 9 - Instrument Panel Group

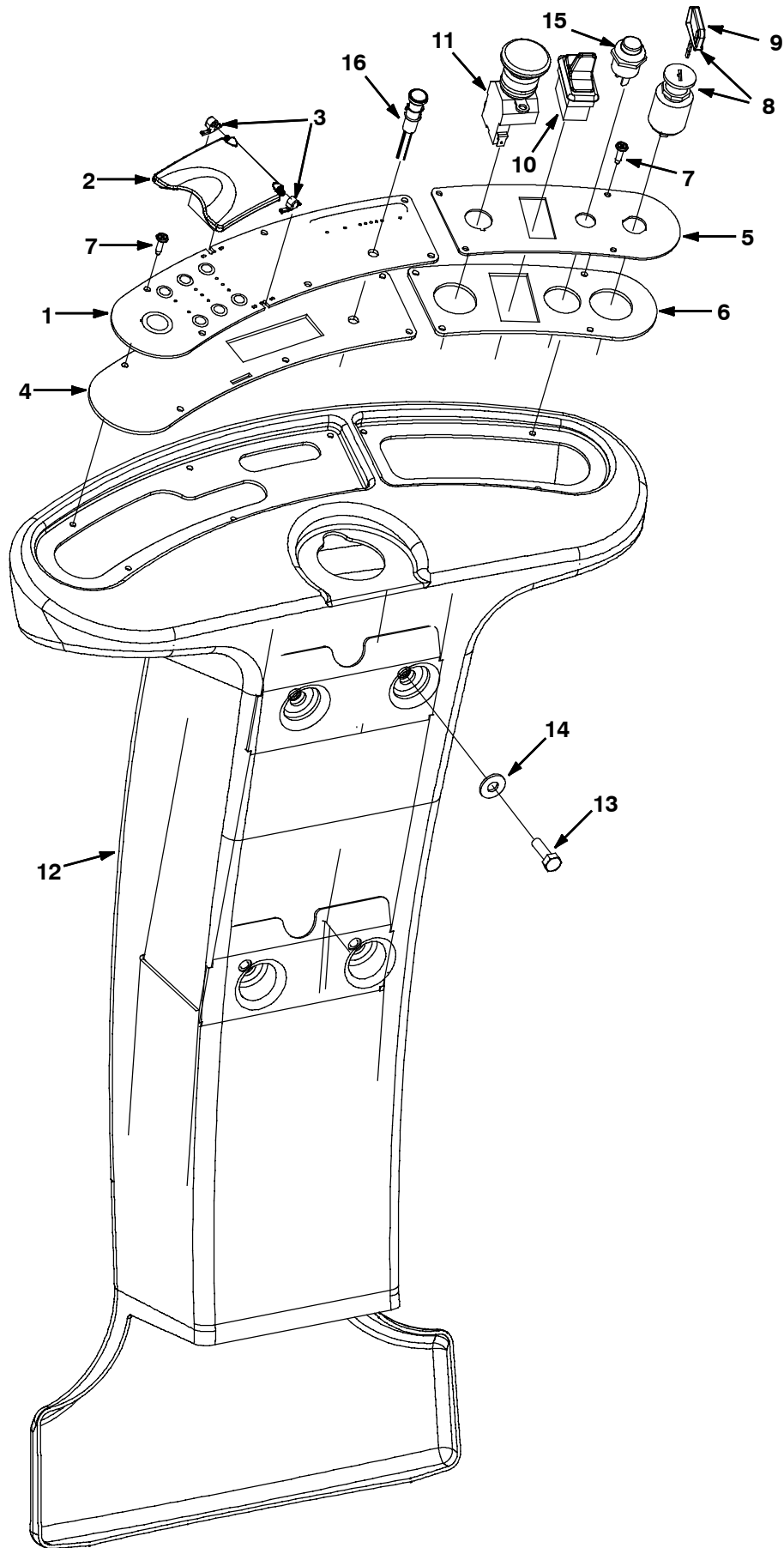


Fig. 9 - Instrument Panel Group

| Ref. | Part No. | Description  | Qty.                                     |   |
|------|----------|--|--|---|
| 1    | 1012068  | Panel, Instmt, Lh                                    | 1  |   |
| 1    | 1050592  | Panel, Instmt, Lh [Ec-H2o]                           | 1  |   |
| 2    | 1012197  | Cover, Panl, Instmt                                  | 1  |   |
| 3    | 1011952  | Block, Pivot, Cover                                  | 2  |   |
| 4    | 1052607  | Gasket, Panl, Instmt, Lh, .13, Foam, Adh             | 1  |   |
| 5    | 1046313  | ② Panel, Instmt, Rh                                  | 1  |   |
| 5    | 9004968  | ① Switch Kit, Key, [T7/Ssr/R14/Strv Rdr]             | 1  |   |
| 6    | 1014080  | Gasket, Panl, Instmt, Rh                             | 1  |   |
| 7    | 72969    | Rivet, Plstc, .181d X 0.720                          | 10                                       |   |
| ▽    | 8        | 1011402  | ② Switch, Key                            | 1 |
| ▲    | 9        | 1017696  | ② Key Set, Replmt [F/ Keyswitch 1011402] | 1 |
| ▽    | 8        | 9004968  | ① Switch Kit, Key, [T7/Ssr/R14/Strv Rdr] | 1 |
| ▲    | 9        | 361144   | ① Key, Ignition                          | 1 |
| 10   | 1013763  | Switch, Rocker, 24vdc Spst, Paddle                   | 1  |   |
| 11   | 1011735  | Switch, Safety, Shutoff                              | 1  |   |
| 12   | 1017924  | Column, Steering, W/Label [Nobles]                   | 1  |   |
| 12   | 9006220  | Column, Steering, W/ Label [Ssr Ech2o]               | 1  |   |
| 13   | 09010    | Screw, Hex, M8 X 1.25 X 25, Ss                       | 4  |   |
| 14   | 01685    | Washer, Flat, 0.31 Ss                                | 4  |   |
| 15   | 1014832  | Switch, Horn   | 1  |   |
| 16   | 1041822  | Light, Led, .312d, 2 Volt [Tri-Color] (ec-H2O Model) | 1  |   |

① Serial number (00000000-10403818)

② Serial number (10403819- )

Fig. 10 - Front Drive Wheel Group

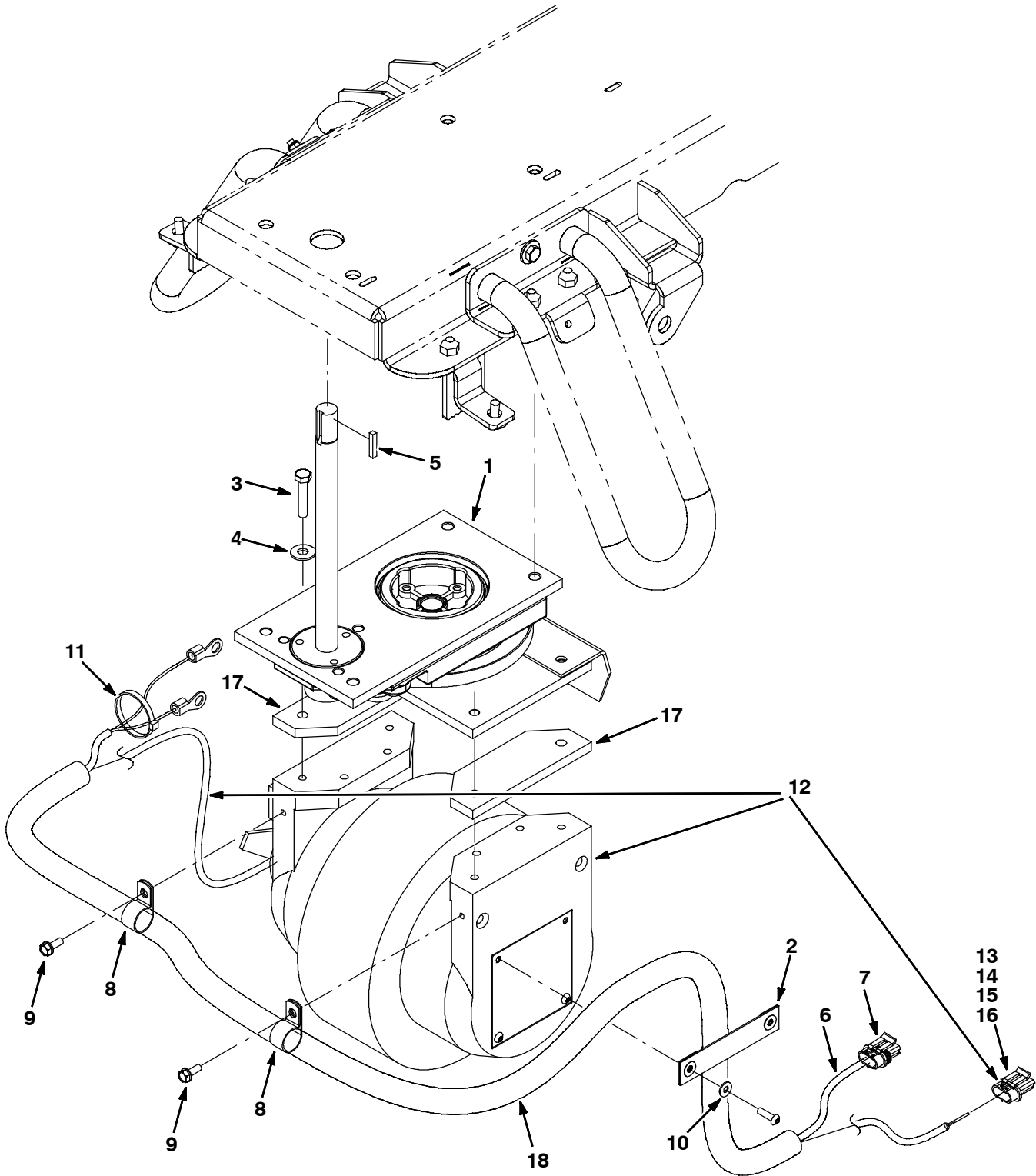
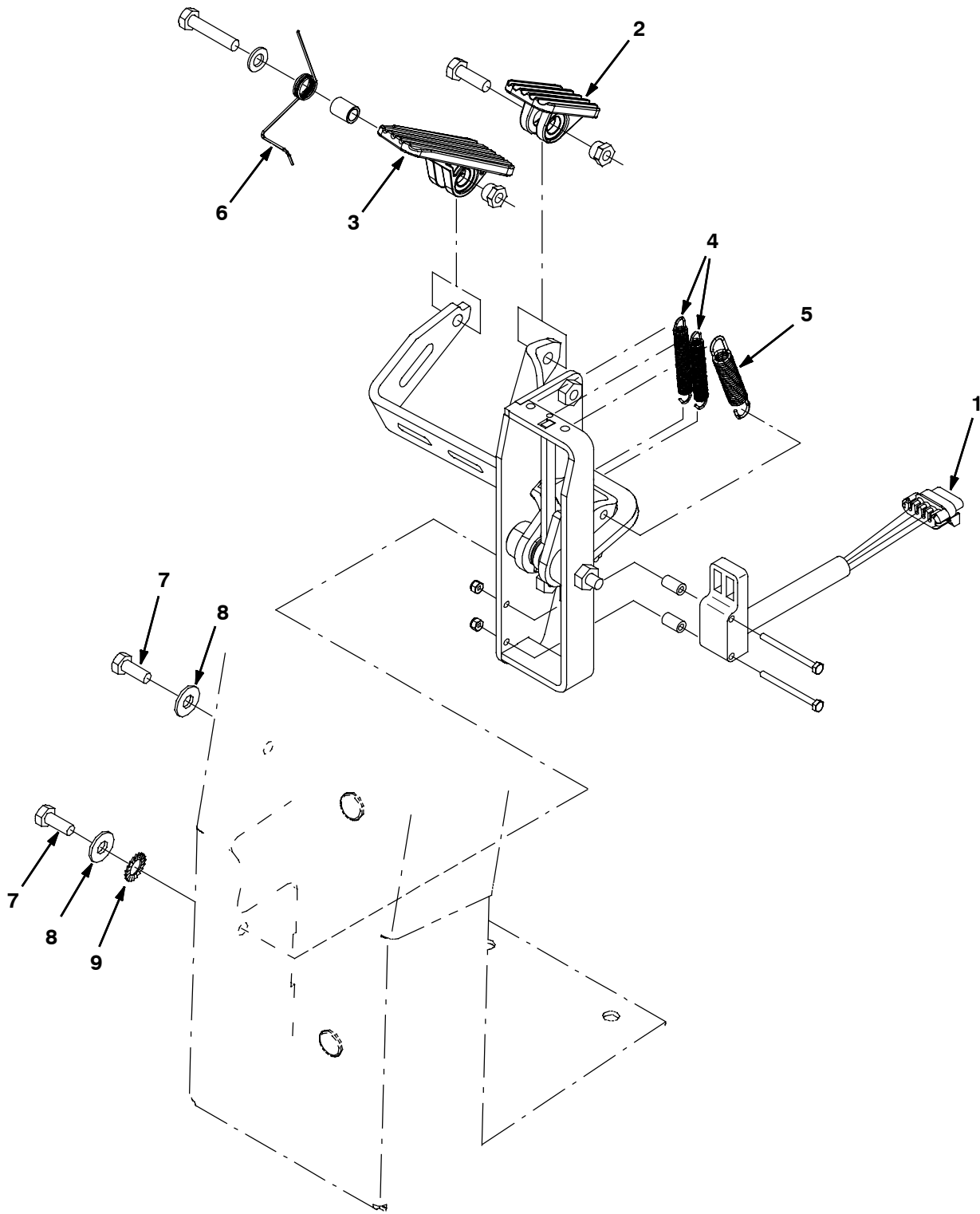




Fig. 10 - Front Drive Wheel Group

| Ref. | Part No. | Description  | Qty.  |   |
|------|----------|--|---|---|
| 1    | 1019724  | Steer-Control Assy, Wheel Drive (See Breakdown)    | 1   |   |
| 2    | 1019224  | Strap, Nyl   | 1   |   |
| 3    | 09010    | Screw, Hex, M8 X 1.25 X 25, Ss (Disk Brush)        | 4   |   |
| 3    | 09026    | Screw, Hex, M8 X 1.25 X 40, Ss (Cylindrical Brush) | 4   |   |
| 4    | 01685    | Washer, Flat, 0.31 Ss                              | 4   |   |
| 5    | 00912    | Key, Sq, 0.19 X 0.19, 1.00l                        | 1   |   |
| ▽    | 6        | 391914   | Harness, Motor, #10-2, 48.0 L, [T7]                   | 1 |
| ▲    | 7        | 1047186  | Connector, Fem, 3 Recept [Mp630]                      | 1 |
| 8    | 40678-1  | Clamp, Cable, Stl, 0.88d X 0.62w, 1h               | 2   |   |
| 9    | 361339   | Screw, Hex, M6 X 1.0 X 16, Fmg                     | 2   |   |
| 10   | 19066    | Washer, Flat, #10                                  | 2   |   |
| 11   | 49263    | Tie, Cable, Nyl, 11.4l .19w 3.0 Max D              | 4   |   |
| ▽    | 12       | 9001642  | Gearbox Kit, Wheel, 250Mm W/Connector (See Breakdown) | 1 |
| ▲    | 13       | 78950  | Connector, Fem, 2cav                                  | 2 |
| ▲    | 14       | 78952  | Lock, Secondary, M/F 2cav                             | 2 |
| ▲    | 15       | 25837  | Terminal, Fem, 20/22ga                                | 2 |
| ▲    | 16       | 25830  | Seal, Wire, 14ga                                      | 2 |
| 17   | 1028873  | Plate, Spacer, Drive (Cylindrical Brush)           | 2   |   |
| 18   | 1015761  | Sleeve, Afmkt, Nyl, #13, 3ft                       | 1   |   |

**Fig. 11 - Brake Pedal and Accelerator Pedal Group (S/N 10508137- )**

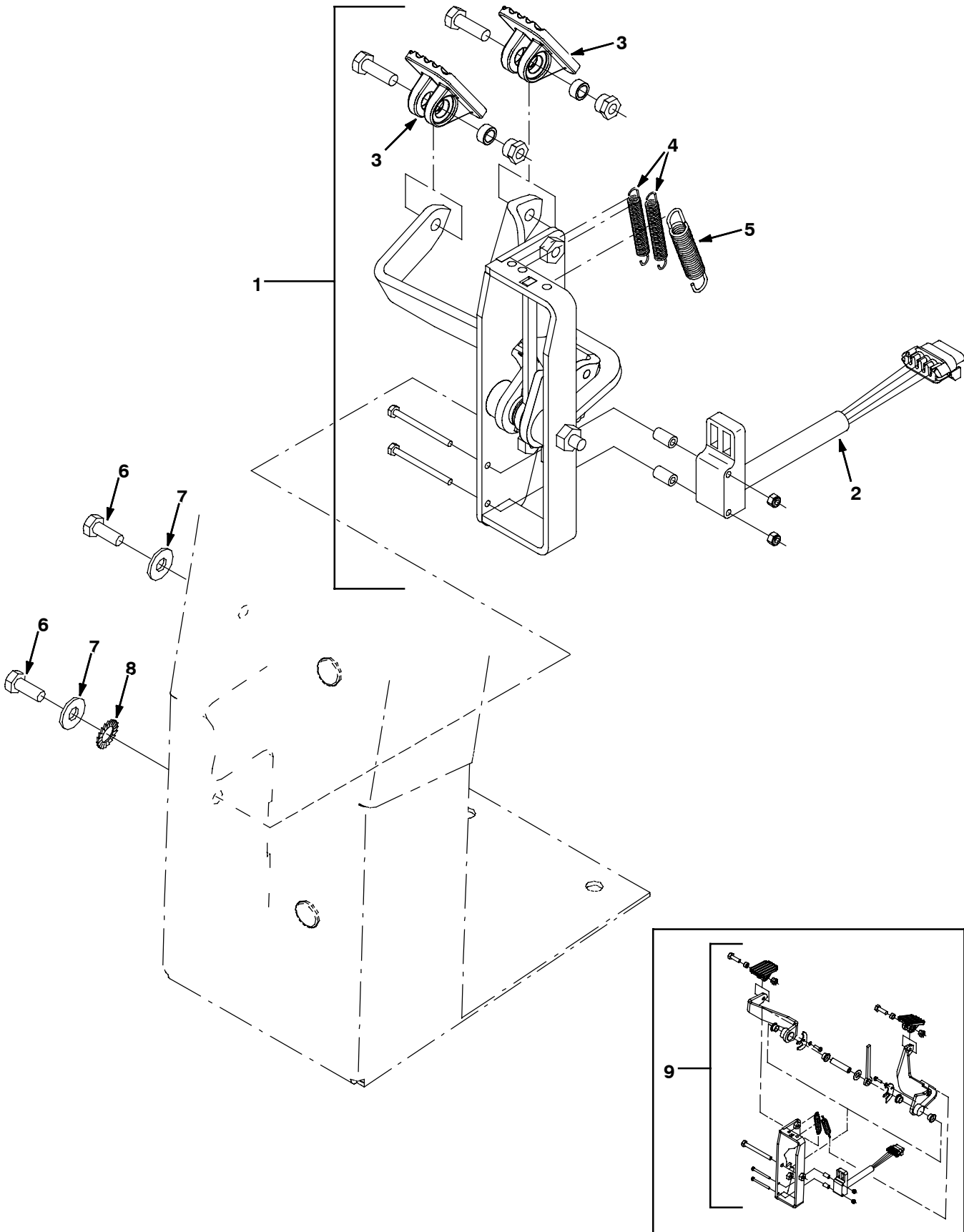


**Fig. 11 - Brake Pedal and Accelerator Pedal Group (S/N 10508137- )**

| Ref. | Part No.  | Description                                | Qty. |
|------|-----------|--|------|
| ▽    | 1051837   | ① Pedal Assy, Accelerator, Brake           | 1    |
| ▲    | 1 1058687 | ① Vr, Sensor, Position [Hall]              | 1    |
| ▲    | 2 1014548 | ① Vr, Pedal, Brake, W/ Tread               | 1    |
| ▲    | 3 1051836 | ① Vr, Pedal, Propel, W/ Tread              | 1    |
| ▲    | 4 1061049 | ① Vr, Spring, Extn, 0.35od 0.05wir 02.8l   | 2    |
| ▲    | 5 1031716 | ① Spring, Extn, 0.50od 0.07wir 03.0l       | 1    |
| ▲    | 6 1064665 | ① Vr, Spring, Tors, 0.55id .05wir 04.0coil | 1    |
|      | 7 09740   | Screw, Hex, M8 X 1.25 X 20, Ss             | 2    |
|      | 8 01685   | Washer, Flat, 0.38b 0.88d .08, Ss          | 2    |
|      | 9 41141   | Washer, Lock, Int-Ext, 0.31                | 1    |

① Serial number (10508137- )

**Fig. 12 - Brake Pedal and Accelerator Pedal Group (S/N 0000000-10508136)**



**Fig. 12 - Brake Pedal and Accelerator Pedal Group (S/N 00000000-10508136)**

|   | <b>Ref.</b> | <b>Part No.</b> | <b>Description</b>                         | <b>Qty.</b> |
|---|-------------|-----------------|--|-------------|
| ▽ | 1           | 1037142         | ② Pedal Assy, Accelerator, Brake [T7, Ssr] | 1           |
| ▲ | 2           | 1011562         | ② Sensor, Position [Hall]                  | 1           |
| ▲ | 3           | 1014548         | ② Pedal, Rest, Foot                        | 2           |
| ▲ | 4           | 1037141         | ② Spring Kit, Ext. 1pc = 2 Springs         | 1           |
| ▲ | 5           | 1031716         | Spring, Extn, 0.50od 0.07wir 03.0l         | 1           |
|   | 6           | 09740           | Screw, Hex, M8 X 1.25 X 20, Ss             | 2           |
|   | 7           | 01685           | Washer, Flat, 0.38b 0.88d .08, Ss          | 2           |
|   | 8           | 41141           | Washer, Lock, Int-Ext, 0.31                | 1           |
|   | 9           | 1037142         | ① Pedal Assy, Accelerator, Brake [T7, Ssr] | 1           |

① Serial number (00000000-10327781)

② Serial number (10327782-10508136)

Fig. 13 - Disk Scrub Head Lift Group

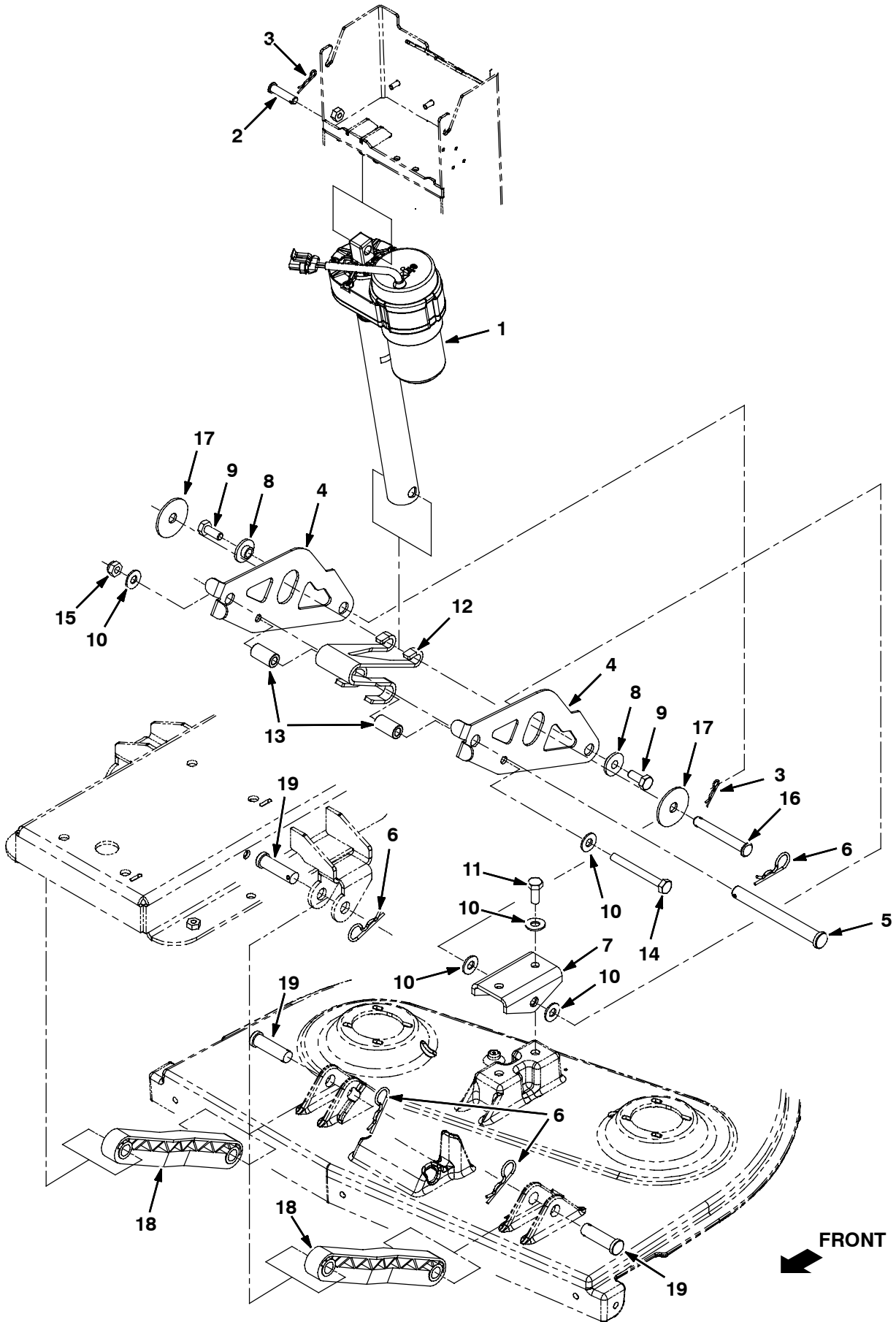


Fig. 13 - Disk Scrub Head Lift Group

| Ref. | Part No. | Description                            | Qty. |
|------|----------|--|------|
| 1    | 1056622  | Actuator, 24vdc, 04.5strk, 0600lb      | 1    |
| 2    | 1009356  | Pin, Clevis , 10mm X 40l               | 1    |
| 3    | 86866    | Pin, Hair Cotter, 0.38 D .072 Wir      | 2    |
| 4    | 1013278  | Plate, Arm, Cntr, Lift, Scb Head       | 2    |
| 5    | 1010401  | Pin, Clevis, 16d X 150l                | 1    |
| 6    | 02942    | Pin, Hair Cotter, 0.62 D .120 Wir      | 5    |
| 7    | 1014076  | Bracket, Lift                          | 1    |
| 8    | 363087   | Bushing, FIng, 0.44b 1.25d 0.25l       | 2    |
| 9    | 09770    | Screw, Hex, M10 X 1.5 X 25, Ss, NI     | 2    |
| 10   | 01686    | Washer, Flat, 0.44b 1.00 .08, Ss       | 6    |
| 11   | 09028    | Screw, Hex, M10 X 1.5 X 25, Ss         | 2    |
| 12   | 1015413  | Spring, Lift, Head, Scb                | 1    |
| 13   | 1013281  | Sleeve, P/M, 18.5d 10.5b 34l 430 Ss    | 2    |
| 14   | 09746    | Screw, Hex, M10 X 1.5 X 90, Ss         | 1    |
| 15   | 08714    | Nut, Hex, Lock, M10 X 1.5, NI, Ss      | 1    |
| 16   | 1013356  | Pin, Clevis, 12mm D X 90mm L           | 1    |
| 17   | 57048    | Washer, Flat, 0.53b 2.13d .11, Stl, Pl | 2    |
| 18   | 222027   | Arm, Lift, Head                        | 2    |
| 19   | 222210   | Pin, Clevis, 0.62 D X 2.12l            | 4    |

# STANDARD PARTS

Fig. 14 - Disk Scrub Head Drive Motor Group, 650 mm (26 in)

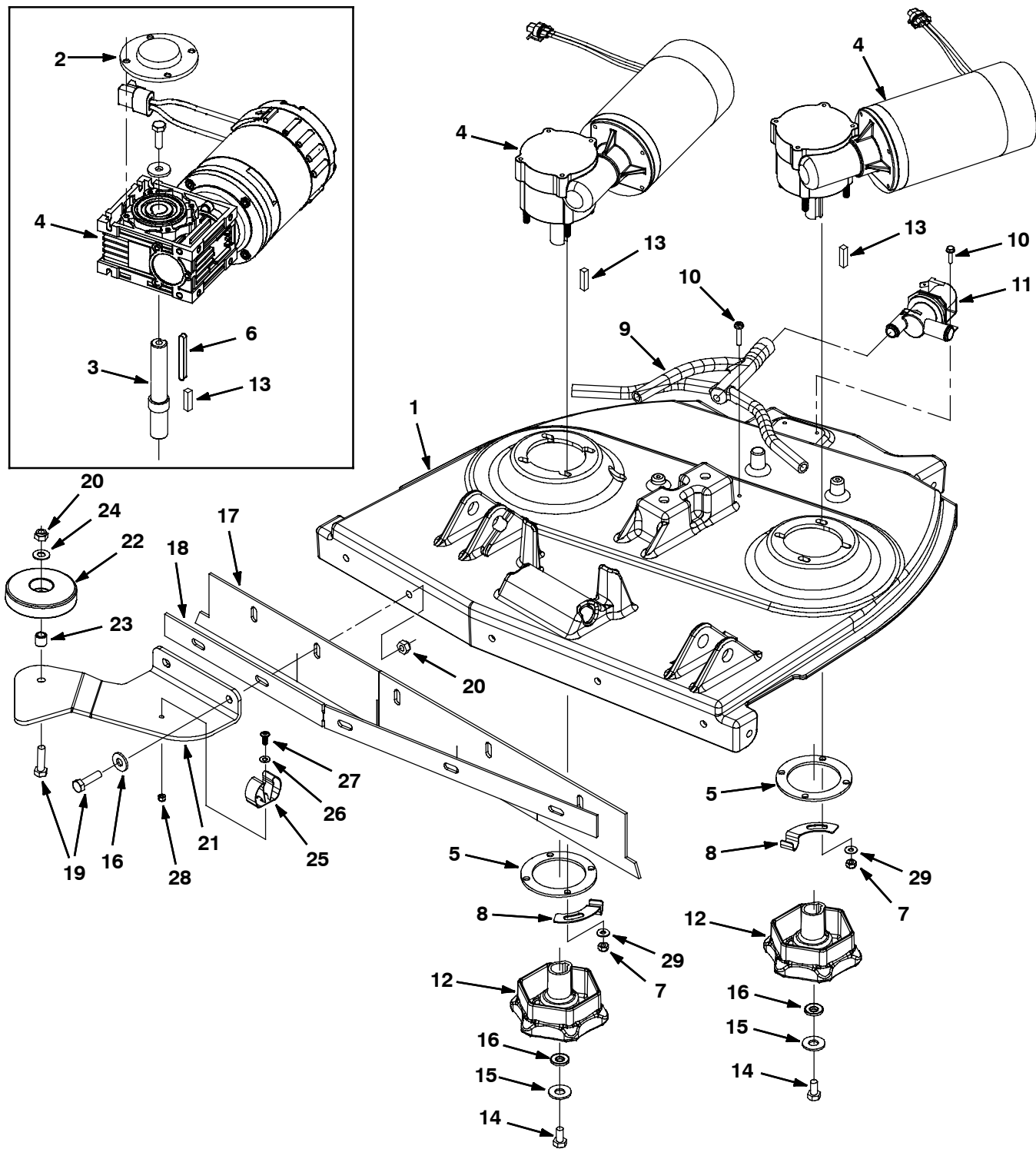




Fig. 14 - Disk Scrub Head Drive Motor Group, 650 mm (26 in)

| Ref. | Part No. | Description   | Qty. |
|------|----------|---|------|
| 1    | 1013560  | Head, Scb, 650mm  | 1    |
| 2    | 1017553  | ① Cap, Motor  | 2    |
| 3    | 1008758  | ① Shaft, Drive, Brush                                   | 2    |
| ▽    | 4        | ② Motor, Ele, 24 Vdc 0285rpm                            | 2    |
| ▲    | 1048888  | ② Vr, Brush Kit, Motor, 1048884                         | 1    |
| ▽    | 4        | ① Motor, Ele, 24 Vdc 0285rpm                            | 2    |
| ▲    | 372878   | ① Brush Kit, Motor, Ele                                 | 1    |
| ▲    | 372879   | ① Hook, Safety  | 1    |
| ▲    | 372880   | ① Cover, Brush, Ele Motor                               | 1    |
| 5    | 1013821  | Plate, Sppt   | 2    |
| 6    | 1014303  | ① Key, Sq, 06mm X 06mm, 60mm L                          | 2    |
| 7    | 08712    | Nut, Hex, Lock, M6 X 1.0, Ss, NI                        | 8    |
| 8    | 1052298  | Bracket, Support, Hose [T7] (ec-H2O Model)              | 2    |
| 9    | 1014228  | Manifold, Soltn, 650mm                                  | 1    |
| 10   | 1016520  | Screw, Hex, M4 X 0.7 16 Fmg, Ss                         | 3    |
| 11   | 1059224  | Valve, Water, Solenoid, 24vdc, Bm10/Bm10                | 1    |
| 12   | 377367   | Hub, Drive, Brush, Disk, 0.75b 6t                       | 2    |
| 13   | 00928    | Key, Sq, 0.25 X 0.25, 1.00l                             | 2    |
| 14   | 15675    | Screw, Hex, M8 X 1.25 X 16, Ss                          | 2    |
| 15   | 41186    | Washer, Belleville, .31                                 | 2    |
| 16   | 01685    | Washer, Flat, 0.31 Ss                                   | 7    |
| 17   | 1013531  | Skirt, Spray, 650mm                                     | 1    |
| 18   | 1013532  | Retainer, Skirt, 650mm                                  | 1    |
| 19   | 09011    | Screw, Hex, M8 X 1.25 X 30, Ss                          | 6    |
| 20   | 08713    | Nut, Hex, Lock, M8 X 1.25, NI, Ss                       | 6    |
| 21   | 1052198  | Bracket, Wheel, Guide 650mm                             | 1    |
| 22   | 1010560  | Wheel, Bumper, 80d X 25w, Non-Marking                   | 1    |
| 23   | 222460   | Sleeve, P/, 0.49D 0.318B 0.50L 430Ss                    | 1    |
| 24   | 140027   | Washer, Flat, 0.35b 0.75d .04, Ss                       | 1    |
| 25   | 1014295  | Clip, Grip, Hose, 0.75-1.12, Stl,Blk Vyl (ec-H2O Model) | 1    |
| 26   | 140011   | Washer, Flat, 0.21b 0.45d .03, Ss (ec-H2O Model)        | 1    |
| 27   | 607006   | Screw, Trs, M4 X 0.70 X 12, Phl, PI (ec-H2O Model)      | 1    |
| 28   | 33932    | Nut, Hex, Lock, M4 X 0.70, NI, Ss (ec-H2O Model)        | 1    |
| 29   | 01684    | Washer, Flat, 0.27b 0.69d .05, Ss (ec-H2O Model)        | 2    |

① Serial number (00000000-10409227)

② Serial number (10409228- )

# STANDARD PARTS

Fig. 15 - Disk Scrub Head Drive Motor Group, 800 mm (32 in)

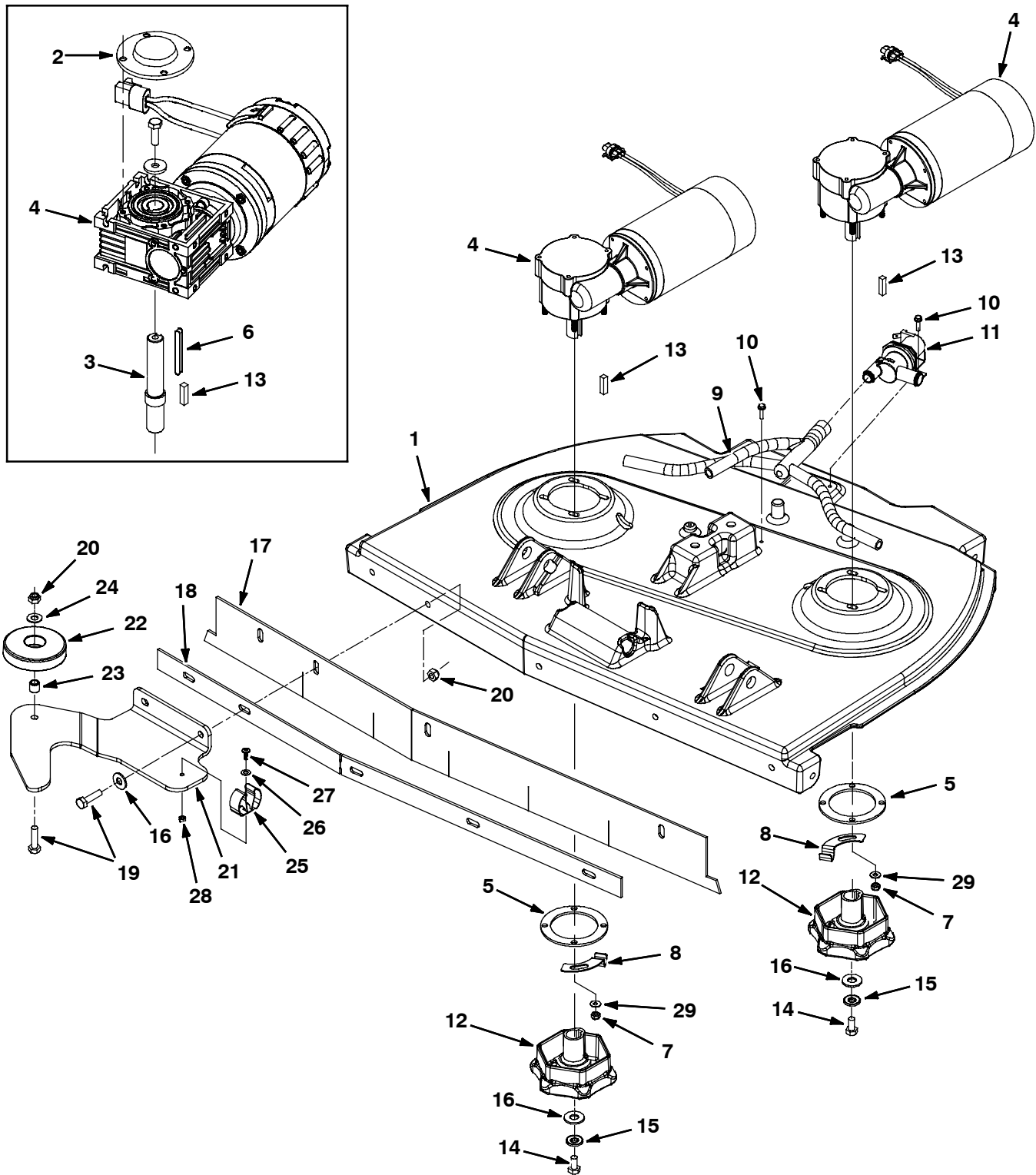


Fig. 15 - Disk Scrub Head Drive Motor Group, 800 mm (32 in)

| Ref. | Part No. | Description   | Qty. |
|------|----------|---|------|
| 1    | 1012630  | Head, Scb, 800mm  | 1    |
| 2    | 1017553  | ① Cap, Motor  | 2    |
| 3    | 1008758  | ① Shaft, Drive, Brush                                   | 2    |
| ▽    | 4        | ② Motor, Ele, 24 Vdc 0285rpm                            | 2    |
| ▲    | 1048888  | ② Vr, Brush Kit, Motor, 1048884                         | 1    |
| ▽    | 4        | ① Motor, Ele, 24 Vdc 0285rpm                            | 2    |
| ▲    | 372878   | ① Brush Kit, Motor, Ele                                 | 1    |
| ▲    | 372879   | ① Hook, Safety  | 1    |
| ▲    | 372880   | ① Cover, Brush, Ele Motor                               | 1    |
| 5    | 1013821  | Plate, Sppt   | 2    |
| 6    | 1014303  | ① Key, Sq, 06mm X 06mm, 60mm L                          | 2    |
| 7    | 08712    | Nut, Hex, Lock, M6 X 1.0, Ss, NI                        | 8    |
| 8    | 1052298  | Bracket, Support, Hose [T7] (ec-H2O Model)              | 2    |
| 9    | 1014776  | Manifold, Soltn, 800mm                                  | 1    |
| 10   | 1016520  | Screw, Hex, M4 X 0.7 16 Fmg, Ss                         | 3    |
| 11   | 1059224  | Valve, Water, Solenoid, 24vdc, Bm10/Bm10                | 1    |
| 12   | 377367   | Hub, Drive, Brush, Disk, 0.75b 6t                       | 2    |
| 13   | 00928    | Key, Sq, 0.25 X 0.25, 1.00l                             | 2    |
| 14   | 15675    | Screw, Hex, M8 X 1.25 X 16, Ss                          | 2    |
| 15   | 41186    | Washer, Belleville, .31                                 | 2    |
| 16   | 01685    | Washer, Flat, 0.31 Ss                                   | 7    |
| 17   | 1011376  | Skirt, Spray, 800mm                                     | 1    |
| 18   | 1012359  | Retainer, Skirt, 800mm                                  | 1    |
| 19   | 09011    | Screw, Hex, M8 X 1.25 X 30, Ss                          | 6    |
| 20   | 08713    | Nut, Hex, Lock, M8 X 1.25, NI, Ss                       | 6    |
| 21   | 1052393  | Bracket, Wheel, Guide                                   | 1    |
| 22   | 1010560  | Wheel, Bumper, 80d X 25w, Non-Marking                   | 1    |
| 23   | 222460   | Sleeve, P/, 0.49D 0.318B 0.50L 430Ss                    | 1    |
| 24   | 140027   | Washer, Flat, 0.35b 0.75d .04, Ss                       | 1    |
| 25   | 1014295  | Clip, Grip, Hose, 0.75-1.12, Stl,Blk Vyl (ec-H2O Model) | 1    |
| 26   | 140011   | Washer, Flat, 0.21b 0.45d .03, Ss (ec-H2O Model)        | 1    |
| 27   | 607006   | Screw, Trs, M4 X 0.70 X 12, Phl, PI (ec-H2O Model)      | 1    |
| 28   | 33932    | Nut, Hex, Lock, M4 X 0.70, NI, Ss (ec-H2O Model)        | 1    |
| 29   | 01684    | Washer, Flat, 0.27b 0.69d .05, Ss (ec-H2O Model)        | 2    |

① Serial number (00000000-10409227)

② Serial number (10409228- )

Fig. 16 - Disk Scrub Head Side Squeegee Group, Right

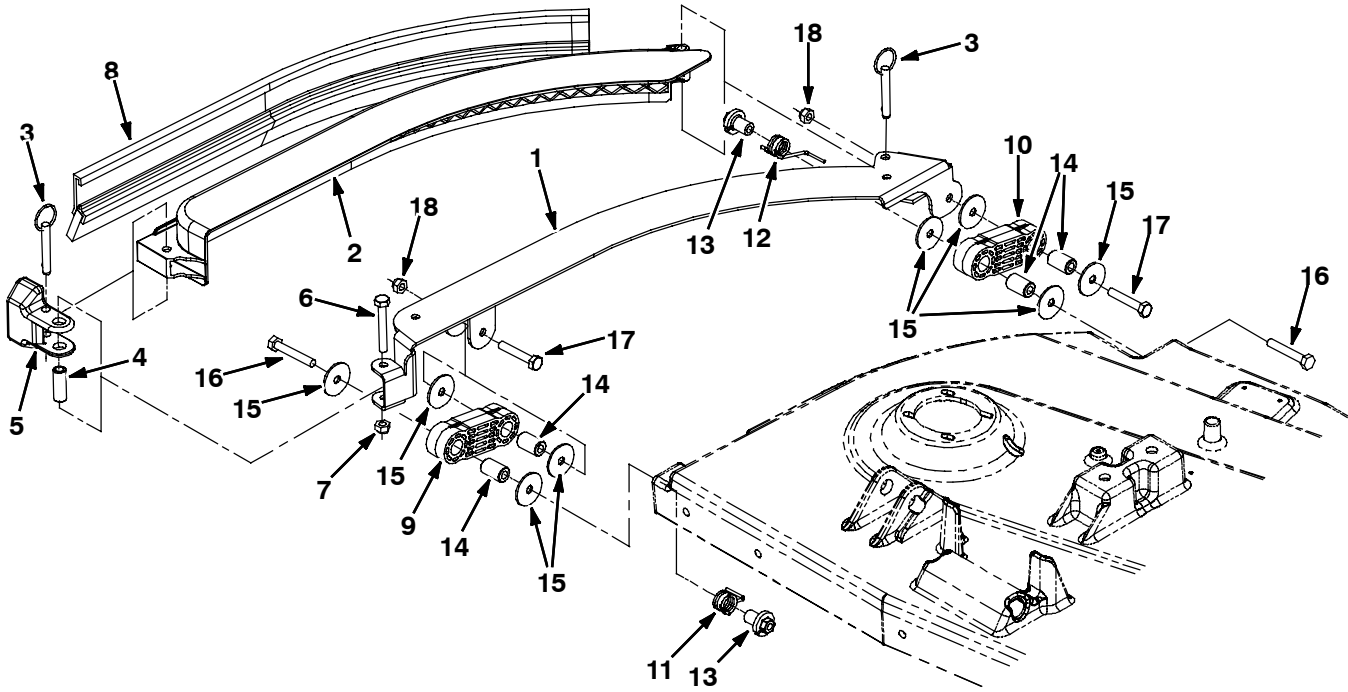


Fig. 16 - Disk Scrub Head Side Squeegee Group, Right

| Ref. | Part No. | Description                             | Qty. |
|------|----------|---|------|
| 1    | 1017910  | Support Wldt, Sqge, Rh                  | 1    |
| 2    | 1017832  | Retainer, Sqge, Rh                      | 1    |
| 3    | 1015989  | Pin, Hitch, .312d X 1.62l               | 2    |
| 4    | 1017495  | Sleeve, P/M, 0.496d 0.318b 1.375 Ss     | 1    |
| 5    | 1017462  | Block, Guard                            | 1    |
| 6    | 222504   | Screw, Hex, M8 X 1.25 X 55, Ss          | 1    |
| 7    | 08713    | Nut, Hex, Lock, M8 X 1.25, NI, Ss       | 1    |
| 8    | 86859    | Assy.Sqge, Side [Linatex]               | 1    |
| 9    | 1010876  | Link, Sqge                              | 1    |
| 10   | 1017785  | Link, Sqge                              | 1    |
| 11   | 1011344  | Spring, Tors                            | 1    |
| 12   | 1011334  | Spring, Tors                            | 1    |
| 13   | 1011317  | Retainer, Spring                        | 2    |
| 14   | 1011717  | Sleeve, P/M, 0.625d 0.318b 1.00 L 430ss | 4    |
| 15   | 1011719  | Washer, Flat, 0.33b 1.38d .075, Ss      | 8    |
| 16   | 49694    | Screw, Hex, M8 X 1.25 X 50, Ss          | 2    |
| 17   | 222505   | Screw, Hex, M8 X 1.25 X 45, Ss          | 2    |
| 18   | 08713    | Nut, Hex, Lock, M8 X 1.25, NI, Ss       | 2    |

Fig. 17 - Disk Scrub Head Side Squeegee Group, Left

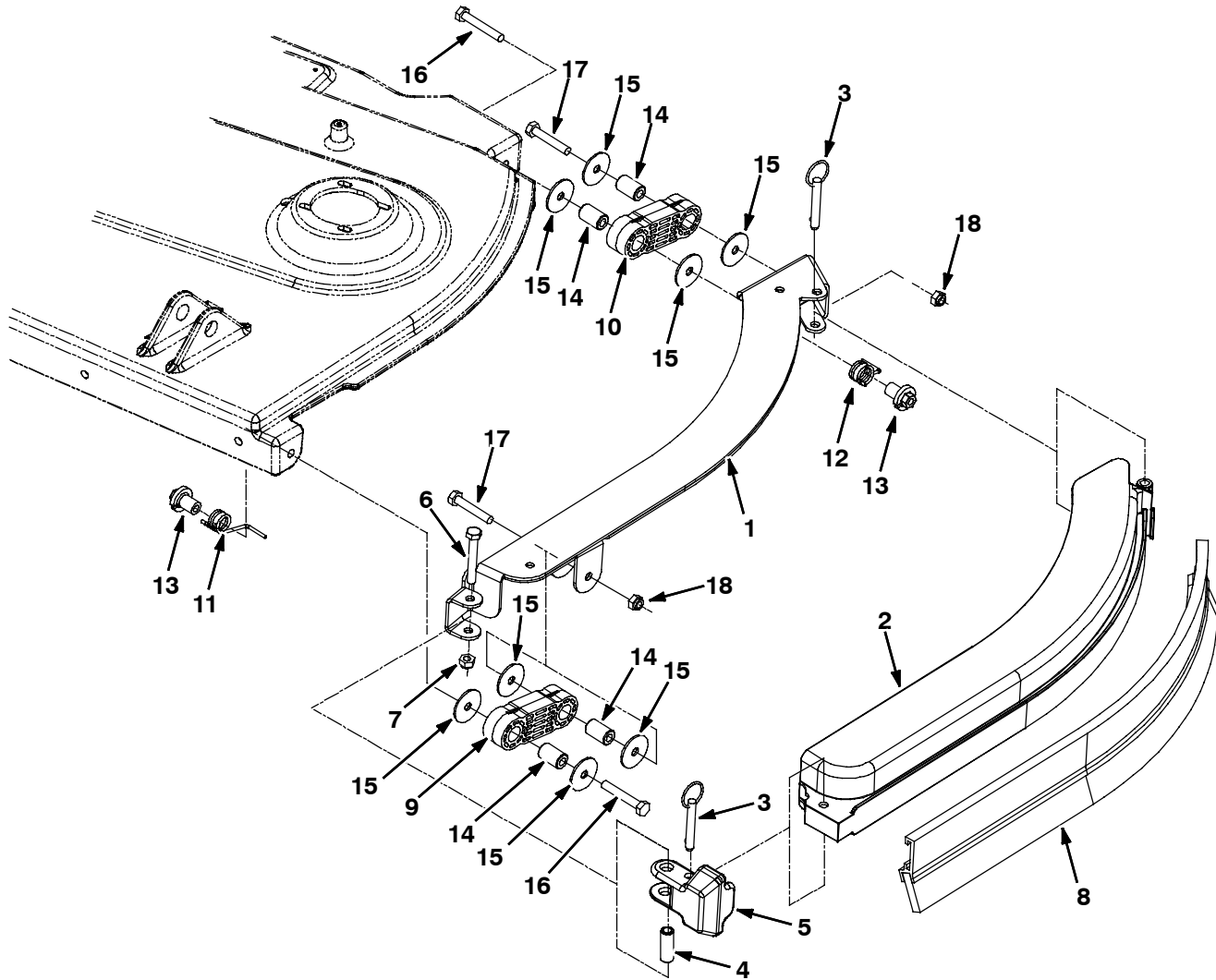


Fig. 17 - Disk Scrub Head Side Squeegee Group, Left

| Ref. | Part No. | Description                             | Qty. |
|------|----------|---|------|
| 1    | 1017534  | Support Wldt, Sqge, Lh                  | 1    |
| 2    | 1017653  | Retainer, Sqge, Lh                      | 1    |
| 3    | 1015989  | Pin, Hitch, .312d X 1.62l               | 2    |
| 4    | 1017495  | Sleeve, P/M, 0.496d 0.318b 1.375 Ss     | 1    |
| 5    | 1017462  | Block, Guard                            | 1    |
| 6    | 222504   | Screw, Hex, M8 X 1.25 X 55, Ss          | 1    |
| 7    | 08713    | Nut, Hex, Lock, M8 X 1.25, NI, Ss       | 1    |
| 8    | 86859    | Assy.Sqge, Side [Linatex]               | 1    |
| 9    | 1010876  | Link, Sqge                              | 1    |
| 10   | 1017785  | Link, Sqge                              | 1    |
| 11   | 1011344  | Spring, Tors                            | 1    |
| 12   | 1011334  | Spring, Tors                            | 1    |
| 13   | 1011317  | Retainer, Spring                        | 2    |
| 14   | 1011717  | Sleeve, P/M, 0.625d 0.318b 1.00 L 430ss | 4    |
| 15   | 1011719  | Washer, Flat, 0.33b 1.38d .075, Ss      | 8    |
| 16   | 49694    | Screw, Hex, M8 X 1.25 X 50, Ss          | 2    |
| 17   | 222505   | Screw, Hex, M8 X 1.25 X 45, Ss          | 2    |
| 18   | 08713    | Nut, Hex, Lock, M8 X 1.25, NI, Ss       | 2    |

Fig. 18 - Cylindrical Scrub Head Lift Group

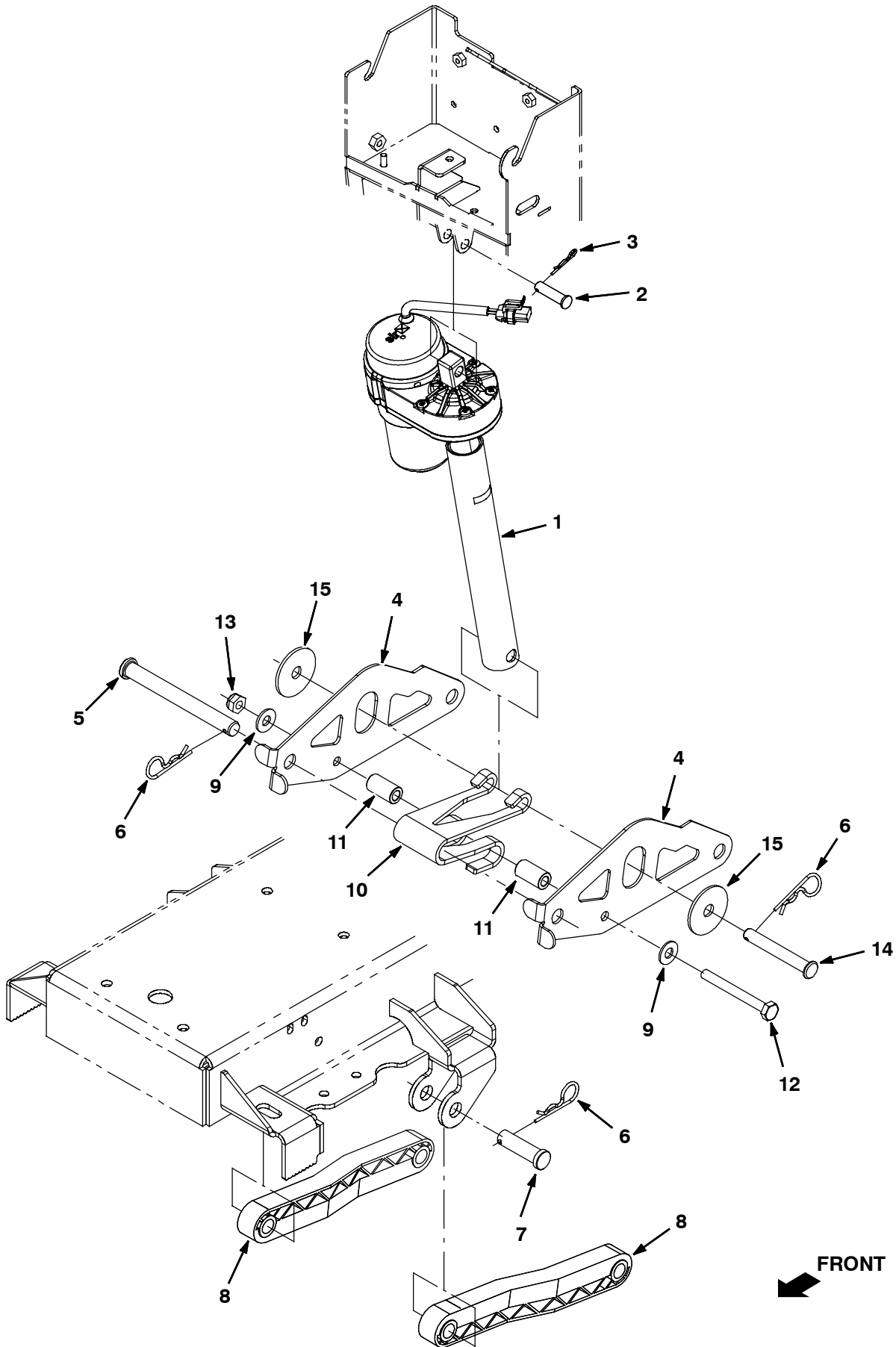




Fig. 18 - Cylindrical Scrub Head Lift Group

| Ref. | Part No. | Description                            | Qty. |
|------|----------|--|------|
| 1    | 1056622  | Actuator, 24vdc, 04.5strk, 0600lb      | 1    |
| 2    | 1009356  | Pin, Clevis , 10mm X 40l               | 1    |
| 3    | 86866    | Pin, Hair Cotter, 0.38 D .072 Wir      | 1    |
| 4    | 1013278  | Plate, Arm, Cntr, Lift, Scb Head       | 2    |
| 5    | 1010401  | Pin, Clevis, 16d X 150l                | 1    |
| 6    | 02942    | Pin, Hair Cotter, 0.62 D .120 Wir      | 4    |
| 7    | 222210   | Pin, Clevis, 0.62 D X 2.12l            | 2    |
| 8    | 222027   | Arm, Lift, Head                        | 2    |
| 9    | 01686    | Washer, Flat, 0.44b 1.00 .08, Ss       | 2    |
| 10   | 1015413  | Spring, Lift, Head, Scb                | 1    |
| 11   | 1013281  | Sleeve, P/M, 18.5d 10.5b 34l 430 Ss    | 2    |
| 12   | 09746    | Screw, Hex, M10 X 1.5 X 90, Ss         | 1    |
| 13   | 08714    | Nut, Hex, Lock, M10 X 1.5, NI, Ss      | 1    |
| 14   | 1013356  | Pin, Clevis, 12mm D X 90mm L           | 1    |
| 15   | 57048    | Washer, Flat, 0.53b 2.13d .11, Stl, Pl | 2    |

**Fig. 19 - Cylindrical Scrub Head Group, 700mm (28 in)**

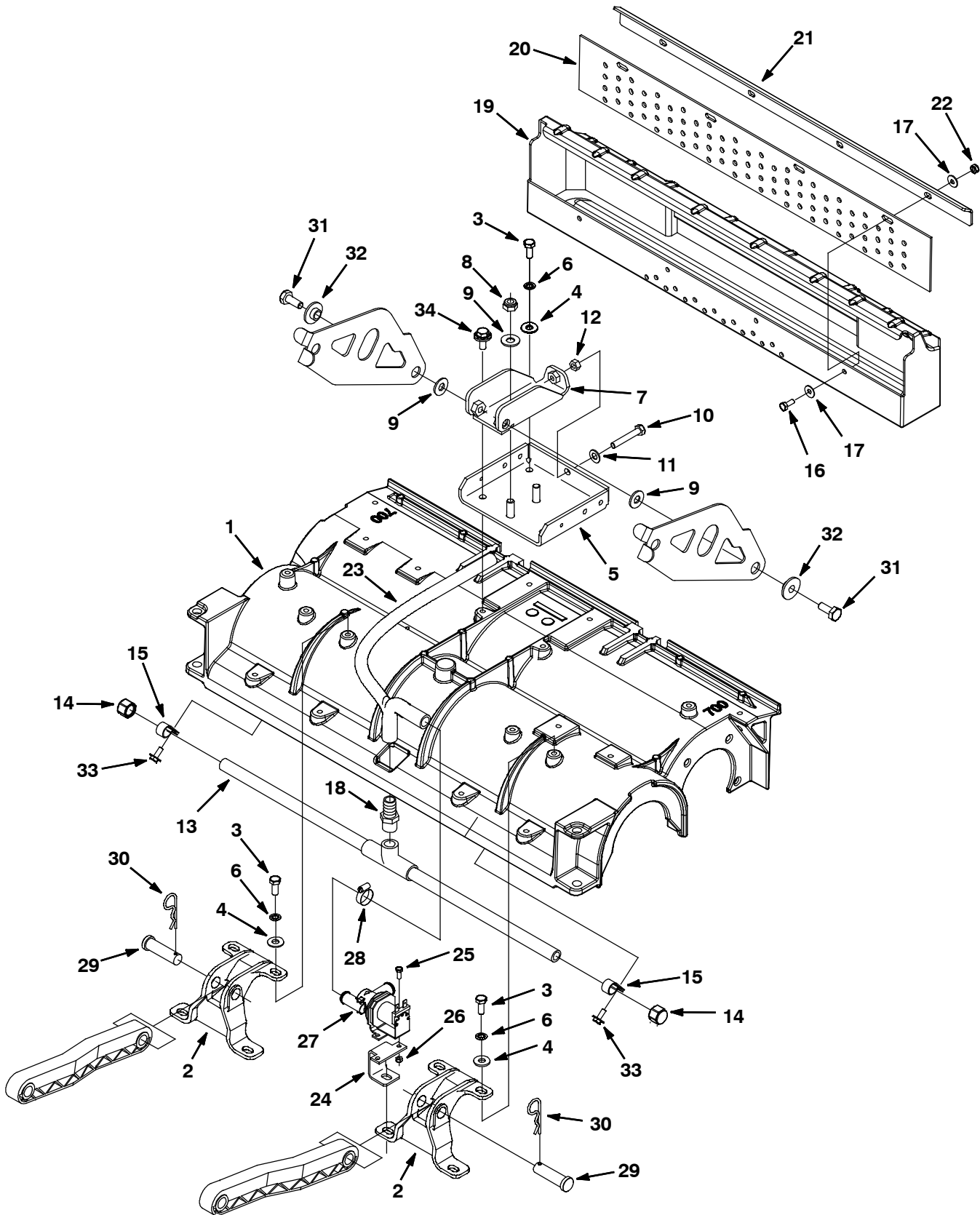


Fig. 19 - Cylindrical Scrub Head Group, 700mm (28 in)

| Ref. | Part No. | Description                              | Qty. |
|------|----------|--|------|
| 1    | 1029131  | Housing, Machining, Head, 70 Cm Cyl      | 1    |
| 2    | 1031416  | Mount, Link, Mach                        | 2    |
| 3    | 12273    | Screw, Hex, M8 X 1.25 X 20, Ss, NI       | 9    |
| 4    | 01685    | Washer, Flat, 0.31, Ss                   | 9    |
| 5    | 1029531  | Channel, Lift                            | 1    |
| 6    | 43952    | Washer, Lock, Int, 0.31, Ss              | 9    |
| 7    | 1029538  | Bracket, Lift, Upper                     | 1    |
| 8    | 08714    | Nut, Hex, Lock, M10 X 1.5, NI, Ss        | 2    |
| 9    | 01686    | Washer, Flat, 0.44b 1.00d .08, Ss        | 4    |
| 10   | 578717   | Screw, Hex, M8 X 1.25 X 50, Ss, FI       | 1    |
| 11   | 140027   | Washer, Flat, 0.35b 0.75d .04, Ss        | 1    |
| 12   | 07786    | Nut, Hex, Std, M8 X 1.25, Ss             | 1    |
| 13   | 1029215  | Tube Assy, Bar, Spray [70cm]             | 1    |
| 14   | 1025580  | Fitting, Pipe, Cap, P06, Nyl             | 2    |
| 15   | 33584    | Clamp, Cable, Stl, 0.63d X 0.50w, 1h     | 2    |
| 16   | 11329    | Screw, Hex, M6 X 1.0 X 16, Ss, NI        | 4    |
| 17   | 01684    | Washer, Flat, 0.25, Ss                   | 8    |
| 18   | 41440    | Fitting, Plstc, Str, Bm10/Pm08           | 1    |
| 19   | 9005805  | Hopper, Debris, 70cm, Black, Afmkt       | 1    |
| 20   | 1029274  | Skirt, Tray, Debris [70cm]               | 1    |
| 21   | 1029272  | Bracket, Lip, Debris, 70cm               | 1    |
| 22   | 07785    | Nut, Hex, Std, M6 X 1.00, A2, Ss         | 4    |
| 23   | 1031132  | Hose, Molded                             | 1    |
| 24   | 1031037  | Bracket, Mtg, Valve                      | 1    |
| 25   | 09738    | Screw, Hex, M5 X 0.8 X 12, Ss            | 2    |
| 26   | 09739    | Nut, Hex, Lock, M5 X 0.80, NI, Ss        | 2    |
| 27   | 1059224  | Valve, Water, Solenoid, 24vdc, Bm10/Bm10 | 1    |
| 28   | 54333    | Clamp, Hose, Wormdrive, 0.31-0.88d, .31w | 3    |
| 29   | 222210   | Pin, Clevis, 0.62d X 2.12l               | 2    |
| 30   | 02942    | Pin, Cotter, Hair, 0.62d .120 Wir        | 2    |
| 31   | 09028    | Screw, Hex, M10 X 1.5 X 25, Ss           | 2    |
| 32   | 363087   | Bushing, Flng, 0.44b 1.25d 0.25l         | 2    |
| 33   | 1034731  | Screw, Hex, M6 X 1.00 X 16, Sems, Ss     | 2    |
| 34   | 1020341  | Screw, Hex, M8 X 1.25 X 20, Ss, Sems     | 3    |

Fig. 20 - Cylindrical Scrub Head Group, 800mm (32 in)

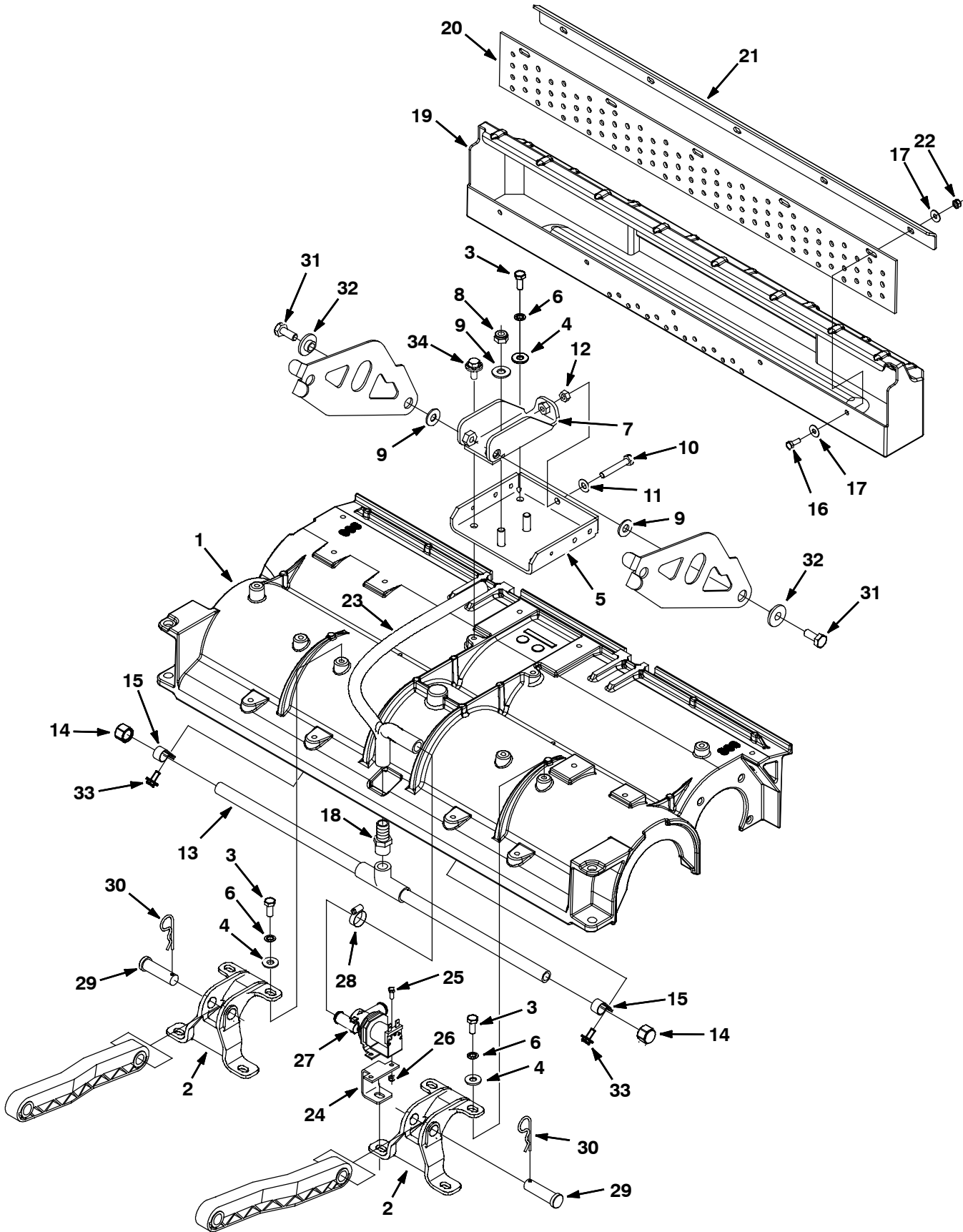


Fig. 20 - Cylindrical Scrub Head Group, 800mm (32 in)

| Ref. | Part No. | Description                              | Qty. |
|------|----------|--|------|
| 1    | 1030273  | 80cm Scrubhead, Machining, T7/Cyl        | 1    |
| 2    | 1031416  | Mount, Link, Mach                        | 2    |
| 3    | 12273    | Screw, Hex, M8 X 1.25 X 20, Ss, NI       | 9    |
| 4    | 01685    | Washer, Flat, 0.31, Ss                   | 9    |
| 5    | 1029531  | Channel, Lift                            | 1    |
| 6    | 43952    | Washer, Lock, Int, 0.31, Ss              | 9    |
| 7    | 1029538  | Bracket, Lift, Upper                     | 1    |
| 8    | 08714    | Nut, Hex, Lock, M10 X 1.5, NI, Ss        | 2    |
| 9    | 01686    | Washer, Flat, 0.44b 1.00d .08, Ss        | 4    |
| 10   | 578717   | Screw, Hex, M8 X 1.25 X 50, Ss, FI       | 1    |
| 11   | 140027   | Washer, Flat, 0.35b 0.75d .04, Ss        | 1    |
| 12   | 07786    | Nut, Hex, Std, M8 X 1.25, Ss             | 1    |
| 13   | 1031029  | Tube Assy, Bar, Spray [80cm]             | 1    |
| 14   | 1025580  | Fitting, Pipe, Cap, P06, Nyl             | 2    |
| 15   | 33584    | Clamp, Cable, Stl, 0.63d X 0.50w, 1h     | 2    |
| 16   | 11329    | Screw, Hex, M6 X 1.0 X 16, Ss, NI        | 5    |
| 17   | 01684    | Washer, Flat, 0.25, Ss                   | 10   |
| 18   | 41440    | Fitting, Plstc, Str, Bm10/Pm08           | 1    |
| 19   | 9005806  | Hopper, Debris, 80cm, Black, Afmkt       | 1    |
| 20   | 1025273  | Skirt, Tray, Debris [80cm]               | 1    |
| 21   | 1025150  | Lip, Tray, Debris, Scb Head, 80cm        | 1    |
| 22   | 07785    | Nut, Hex, Std, M6 X 1.00, A2, Ss         | 5    |
| 23   | 1031132  | Hose, Molded                             | 1    |
| 24   | 1031037  | Bracket, Mtg, Valve                      | 1    |
| 25   | 09738    | Screw, Hex, M5 X 0.8 X 12, Ss            | 2    |
| 26   | 09739    | Nut, Hex, Lock, M5 X 0.80, NI, Ss        | 2    |
| 27   | 1059224  | Valve, Water, Solenoid, 24vdc, Bm10/Bm10 | 1    |
| 28   | 54333    | Clamp, Hose, Wormdrive, 0.31-0.88d, .31w | 3    |
| 29   | 222210   | Pin, Clevis, 0.62d X 2.12l               | 2    |
| 30   | 02942    | Pin, Cotter, Hair, 0.62d .120 Wir        | 2    |
| 31   | 09028    | Screw, Hex, M10 X 1.5 X 25, Ss           | 2    |
| 32   | 363087   | Bushing, Flng, 0.44b 1.25d 0.25l         | 2    |
| 33   | 1034731  | Screw, Hex, M6 X 1.00 X 16, Sems, Ss     | 2    |
| 34   | 1020341  | Screw, Hex, M8 X 1.25 X 20, Ss, Sems     | 3    |

**Fig. 21 - Cylindrical Scrub Head Drive Group, Right Side**

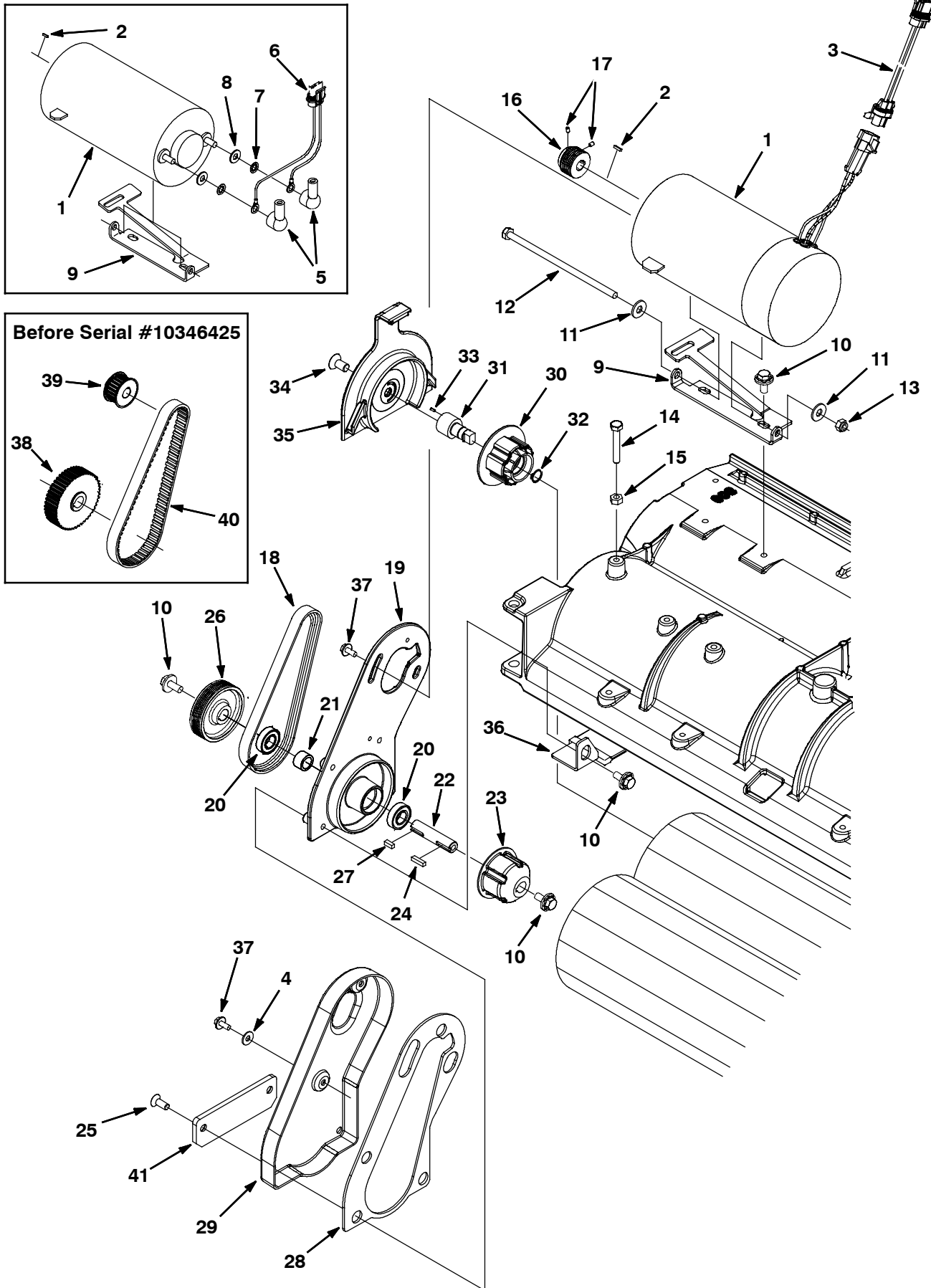


Fig. 21 - Cylindrical Scrub Head Drive Group, Right Side

| Ref. | Part No. | Description  | Qty. |
|------|----------|--|------|
| ▽    | 1        | 1042228 [4] Motor, Ele, 24vdc 1500rpm 0.75hp 23.0a   | 1    |
| ▲    |          | 1049739 [4] Brush Kit, Carbon, Motor, Replmt [4pcs]  | 1    |
| ▲    | 2        | 00954 Key, Sq, 0.12 X 0.12, 1.00l                    | 1    |
| ▽    | 1        | 1050372 [3] Motor Kit, Cylrcl, Replmt, F/604980 [T7] | 1    |
| ▲    | 2        | 00954 Key, Sq, 0.12 X 0.12, 1.00l                    | 1    |
|      | 3        | 1050099 [4] Harness, Adapter, Motor [T7]             | 1    |
|      | 4        | 01684 Washer, Flat, 0.25, Ss                         | 2    |
|      | 5        | 608964 [3] Boot, 90deg .27id 0.64id 1.79l, Blk       | 2    |
|      | 6        | 1032496 [3] Harness, Adapter, Motor, Cylrcl          | 1    |
|      | 7        | 43952 [3] Washer, Lock, Int, 0.31, Ss                | 2    |
|      | 8        | 140027 [3] Washer, Flat, 0.35b 0.75d .04, Ss         | 2    |
|      | 9        | 1044386 Bracket, Mtg, Motor                          | 1    |
|      | 10       | 1020341 Screw, Hex, M8 X 1.25 X 20, Ss, Sems         | 8    |
|      | 11       | 01685 Washer, Flat, 0.31, Ss                         | 2    |
|      | 12       | 1025026 Screw, Hex, M8 X 1.25 X 180, Ss              | 1    |
|      | 13       | 08713 Nut, Hex, Lock, M8 X 1.25, NI, Ss              | 1    |
|      | 14       | 578717 Screw, Hex, M8 X 1.25 X 50, Ss                | 1    |
|      | 15       | 07786 Nut, Hex, Std, M8 X 1.25, Ss                   | 1    |
|      | 16       | 1033528 [2] Sheave, 06grv, 1.33pd 0.50b, Alm [Pj]    | 1    |
|      | 17       | 222818 Screw, Set, #08-32 X 0.25, NI                 | 2    |
|      | 18       | 1035888 [2] Belt, Drive, 6grv, 508 L X 14 W, [6pj]   | 1    |
|      | 19       | 1021036 Bracket, Motor [Machined]                    | 1    |
|      | 20       | 41360 Bearing, Ball, 0.59b 1.26d 0.35w[2seal]        | 2    |
|      | 21       | 1002077 Tube, 0.81d 0.59b 00.5l                      | 1    |
|      | 22       | 1021050 Shaft, Drive                                 | 1    |
|      | 23       | 378805 Plug, Drive, Brush, Mach                      | 1    |
|      | 24       | 00911 Key, Sq, 0.19 X 0.19, 0.75l                    | 1    |
|      | 25       | 79246 Screw, Flt, M8 X 1.25 X 20, Ss 18-8            | 2    |
|      | 26       | 1035173 [2] Sheave, 06grv, 2.96pd 0.59b, Alm [Pj]    | 1    |
|      | 27       | 00961 Key, Sq, 0.19 X 0.19, 0.50l                    | 1    |
|      | 28       | 1022401 Gasket, Cover, Belt                          | 1    |
|      | 29       | 1022807 Cover, Belt                                  | 1    |
|      | 30       | 1057629 Plug, Idler, Brush [Sgl Brg]                 | 1    |
|      | 31       | 222177 Shaft, Idler Plug                             | 1    |
|      | 32       | 01516 Ring, Retaining, Ext, 0.59d, Basic             | 1    |
|      | 33       | 222184 Pin, Roll, .094 D X 0.25l, .094/.097          | 1    |
|      | 34       | 390996 Screw, Flt, M10 X 1.5 X 20, 10.9, NI          | 1    |
|      | 35       | 1044145 Door, Brush                                  | 1    |
|      | 36       | 1029358 Deflector, Water, Cyl Head                   | 2    |
|      | 37       | 1034731 Screw, Hex, M6 X 1.00 X 16, Sems, Ss         | 4    |
|      | 38       | 1024636 [1] Sprocket, 48t, 5p                        | 1    |
|      | 39       | 375195 [1] Sprocket, Timing, 22tooth, 0.50b, [Gt/2]  | 1    |
|      | 40       | 377500 [1] Belt, Synchronous, 05mm 500l[05p,Plychn]  | 1    |
|      | 41       | 1034845 Strip, Pye, Hi-dns, 0.25 01.75w 05.6l        | 1    |

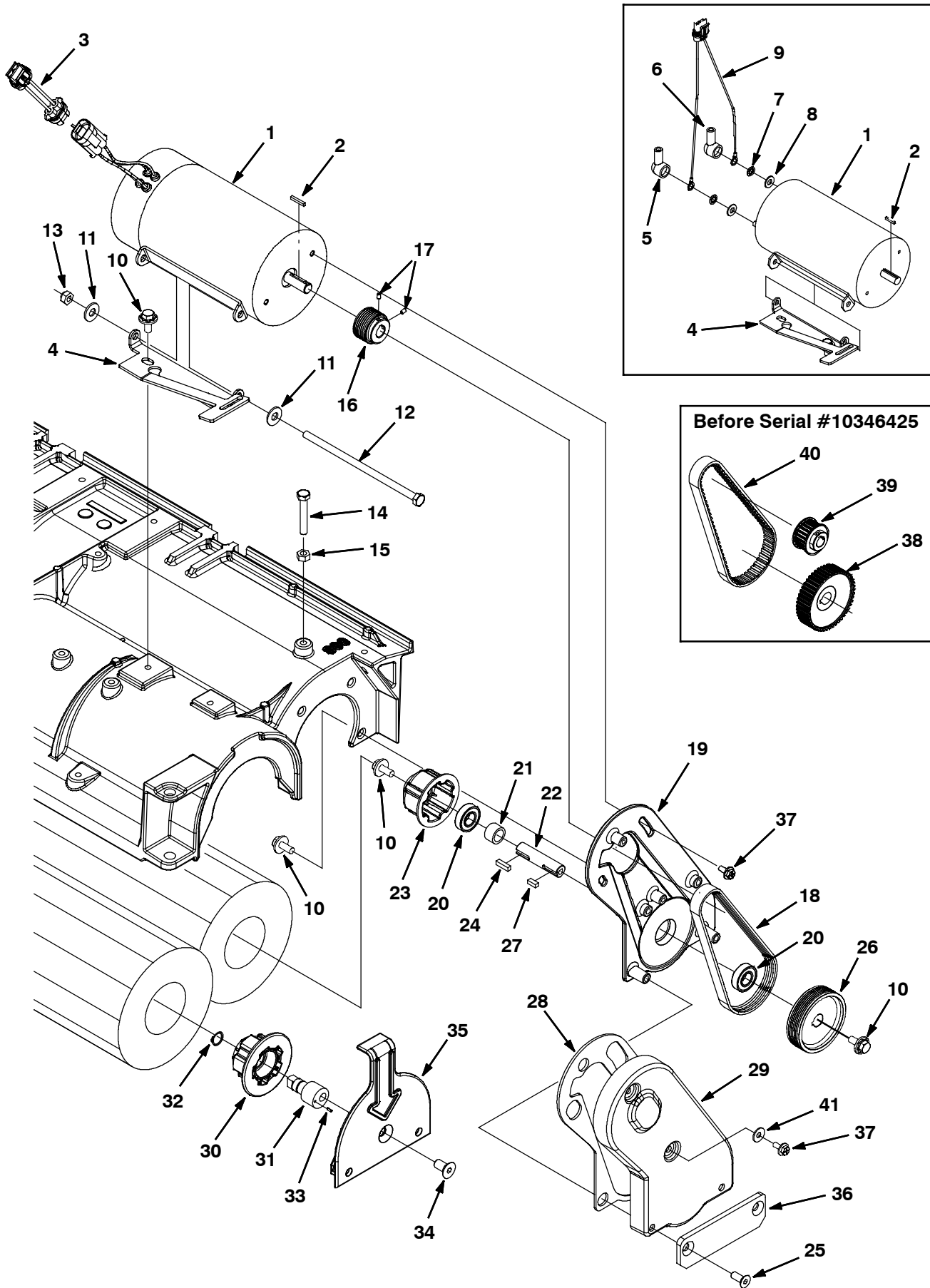
[1] Serial number (00000000-10346424)

[2] Serial number (10346425- )

[3] Serial number (00000000-10415583)

[4] Serial number (10415584- )

Fig. 22 - Cylindrical Scrub Head Drive Group, Left Side





**Fig. 22 - Cylindrical Scrub Head Drive Group, Left Side**

| Ref. | Part No. | Description  | Qty. |
|------|----------|--|------|
| ▽    | 1        | 1042228 [4] Motor, Ele, 24vdc 1500rpm 0.75hp 23.0a   | 1    |
| ▲    |          | 1049739 [4] Brush Kit, Carbon, Motor, Replmt [4pcs]  | 1    |
| ▲    | 2        | 00954 Key, Sq, 0.12 X 0.12, 1.00l                    | 1    |
| ▽    | 1        | 1050372 [3] Motor Kit, Cylrcl, Replmt, F/604980 [T7] | 1    |
| ▲    | 2        | 00954 Key, Sq, 0.12 X 0.12, 1.00l                    | 1    |
|      | 3        | 1052892 [4] Harness, Adapter, Motor [T7]             | 1    |
|      | 4        | 1044386 Bracket, Mtg, Motor                          | 1    |
|      | 5        | 608964 [3] Boot, 90deg .27id 0.64id 1.79l, Blk       | 1    |
|      | 6        | 608963 [3] Boot, 90deg .27id 0.64id 1.79l, Red       | 1    |
|      | 7        | 140027 [3] Washer, Flat, 0.35b 0.75d .04, Ss         | 2    |
|      | 8        | 43952 [3] Washer, Lock, Int, 0.31, Ss                | 2    |
|      | 9        | 1032496 [3] Harness, Adapter, Motor, Cylrcl          | 1    |
|      | 10       | 1020341 Screw, Hex, M8 X 1.25 X 20, Ss, Sems         | 8    |
|      | 11       | 01685 Washer, Flat, 0.31, Ss                         | 2    |
|      | 12       | 1025026 Screw, Hex, M8 X 1.25 X 180, Ss              | 1    |
|      | 13       | 08713 Nut, Hex, Lock, M8 X 1.25, NI, Ss              | 1    |
|      | 14       | 578717 Screw, Hex, M8 X 1.25 X 50, Ss                | 1    |
|      | 15       | 07786 Nut, Hex, Std, M8 X 1.25, Ss                   | 1    |
|      | 16       | 1033528 [2] Sheave, 06grv, 1.33pd 0.50b, Alm [Pj]    | 1    |
|      | 17       | 222818 Screw, Set, #08-32 X 0.25, NI                 | 2    |
|      | 18       | 1035888 [2] Belt, Drive, 6grv, 508 L X 14 W, [6pj]   | 1    |
|      | 19       | 1021036 Bracket, Motor [Machined]                    | 1    |
|      | 20       | 41360 Bearing, Ball, 0.59b 1.26d 0.35w[2seal]        | 2    |
|      | 21       | 1002077 Tube, 0.81d 0.59b 00.5l                      | 1    |
|      | 22       | 1021050 Shaft, Drive                                 | 1    |
|      | 23       | 378805 Plug, Drive, Brush, Mach                      | 1    |
|      | 24       | 00911 Key, Sq, 0.19 X 0.19, 0.75l                    | 1    |
|      | 25       | 79246 Screw, Flt, M8 X 1.25 X 20, Ss 18-8            | 2    |
|      | 26       | 1035173 [2] Sheave, 06grv, 2.96pd 0.59b, Alm [Pj]    | 1    |
|      | 27       | 00961 Key, Sq, 0.19 X 0.19, 0.50l                    | 1    |
|      | 28       | 1022401 Gasket, Cover, Belt                          | 1    |
|      | 29       | 1022807 Cover, Belt                                  | 1    |
|      | 30       | 1057629 Plug, Idler, Brush [Sgl Brg]                 | 1    |
|      | 31       | 222177 Shaft, Idler Plug                             | 1    |
|      | 32       | 01516 Ring, Retaining, Ext, 0.59d, Basic             | 1    |
|      | 33       | 222184 Pin, Roll, .094 D X 0.25l, .094/.097          | 1    |
|      | 34       | 390996 Screw, Flt, M10 X 1.5 X 20, 10.9, NI          | 1    |
|      | 35       | 1044145 Door, Brush                                  | 1    |
|      | 36       | 1034845 Strip, Pye, Hi-dns, 0.25 01.75w 05.6l        | 1    |
|      | 37       | 1034731 Screw, Hex, M6 X 1.00 X 16, Sems, Ss         | 4    |
|      | 38       | 1024636 [1] Sprocket, 48t, 5p                        | 1    |
|      | 39       | 375195 [1] Sprocket, Timing, 22tooth, 0.50b, [Gt/2]  | 1    |
|      | 40       | 377500 [1] Belt, Synchronous, 05mm 500l[05p,Plychn]  | 1    |
|      | 41       | 01684 Washer, Flat, 0.25, Ss                         | 6    |

[1] Serial number (00000000-10346424)

[2] Serial number (10346425- )

[3] Serial number (00000000-10415583)

[4] Serial number (10415584- )

**Fig. 23 - Cylindrical Scrub Head Squeegee Group**

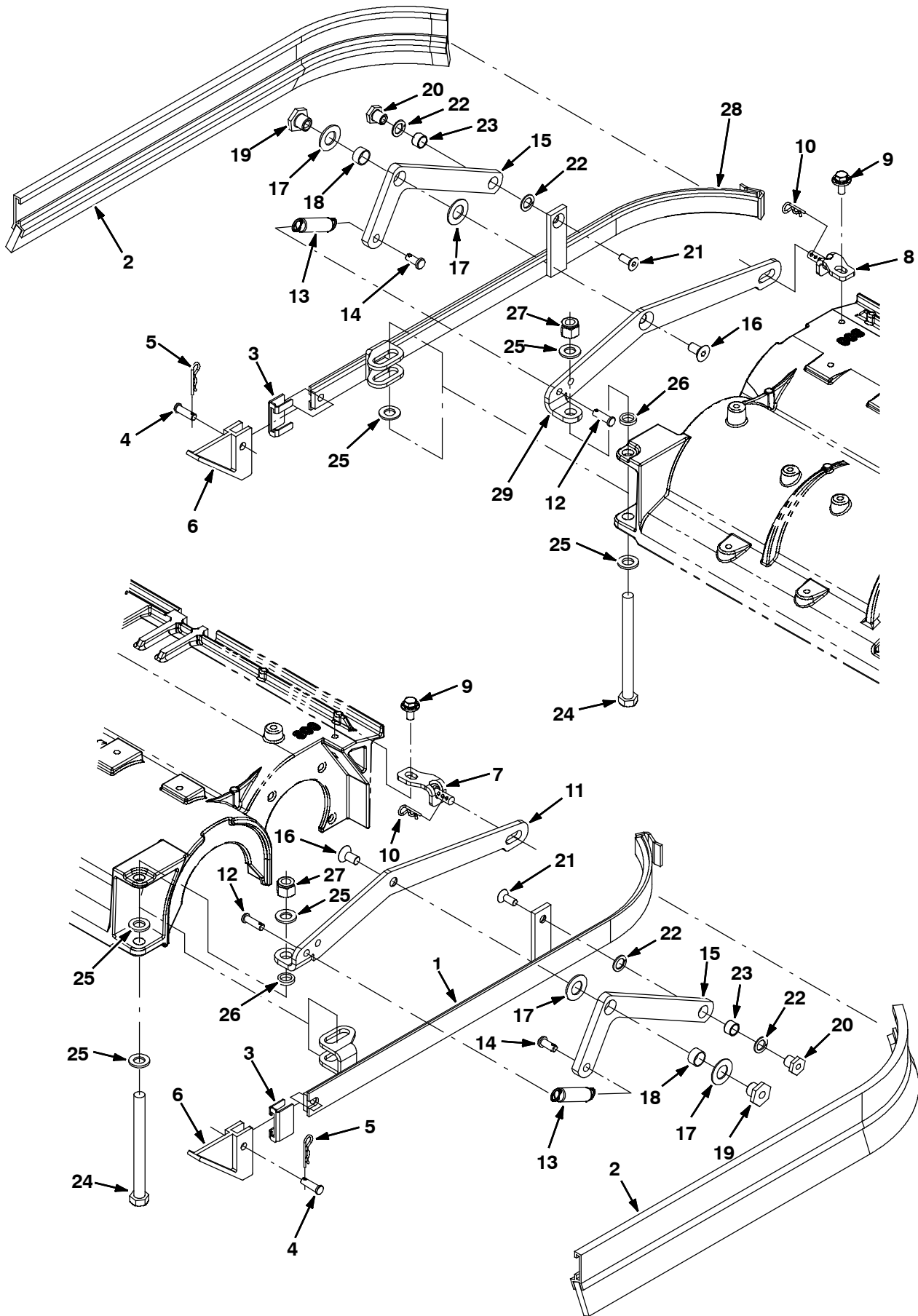


Fig. 23 - Cylindrical Scrub Head Squeegee Group

| Ref. | Part No. | Description                             | Qty. |
|------|----------|---|------|
| 1    | 391328   | Frame Wldt, Sqge, Side, Lh              | 1    |
| 2    | 391334   | Squeegee Assy, Side                     | 2    |
| 3    | 86759    | Retainer, Sqge                          | 2    |
| 4    | 69582    | Pin, Clevis, 0.31d X 1.00l              | 2    |
| 5    | 44906    | Pin, Cotter, Hair, 0.69d .092 Wir       | 2    |
| 6    | 86865    | Guide, Sqge, Side                       | 2    |
| 7    | 1029380  | Angle Wldt, Stop, Lh                    | 1    |
| 8    | 1029368  | Angle Wldt, Stop, Rh                    | 1    |
| 9    | 1020341  | Screw, Hex, M8 X 1.25 X 20, Ss, Sems    | 2    |
| 10   | 44906    | Pin, Cotter, Hair, 0.69d .092 Wir       | 2    |
| 11   | 1030365  | Arm, Mtg, Link, Lh Sqge, Cylrcrl Head   | 1    |
| 12   | 69582    | Pin, Clevis, 0.31d X 1.00l              | 2    |
| 13   | 15047    | Spring, Extn, 0.62od X 0.08wir, 3.0l    | 2    |
| 14   | 39019    | Pin, Clevis, 0.37d X 0.75l              | 2    |
| 15   | 25709    | Bellcrank, Lift, Sqge                   | 2    |
| 16   | 380587   | Screw, Flt, M10 X 1.5 X 20, Ss, 18-8    | 2    |
| 17   | 64425    | Washer, Thrust, 0.61b 1.25d .06, Fgl    | 4    |
| 18   | 71607    | Bushing, Sleeve, 0.63b 0.72d 0.38l      | 2    |
| 19   | 391345   | Nut, T, M10 X 1.50 X 0.62od X 0.5l      | 2    |
| 20   | 391346   | Nut, T, M8 X 1.25 X 0.50od X 0.5l       | 2    |
| 21   | 79246    | Screw, Flt, M8 X 1.25 X 20, Ss 18-8     | 2    |
| 22   | 86860    | Bearing, Thrust, 0.50b 0.87d 0.06w      | 4    |
| 23   | 64173    | Bushing, Sleeve, 0.50b 0.59d 0.38l, Stl | 2    |
| 24   | 45280    | Screw, Hex, .50-13 X 5.50, G5           | 2    |
| 25   | 33925    | Washer, Flat, M12, Ss                   | 6    |
| 26   | 1031077  | Bushing, Sleeve, 0.51b 0.75d 0.16l      | 2    |
| 27   | 02931    | Nut, Hex, Lock, .50-13, NI, Ss          | 2    |
| 28   | 391327   | Frame Wldt, Sqge, Side, Rh              | 1    |
| 29   | 1030026  | Arm, Mtg, Link, Rh Sqge, Cylrcrl Head   | 1    |

**Fig. 24 - Recovery Tank Group**

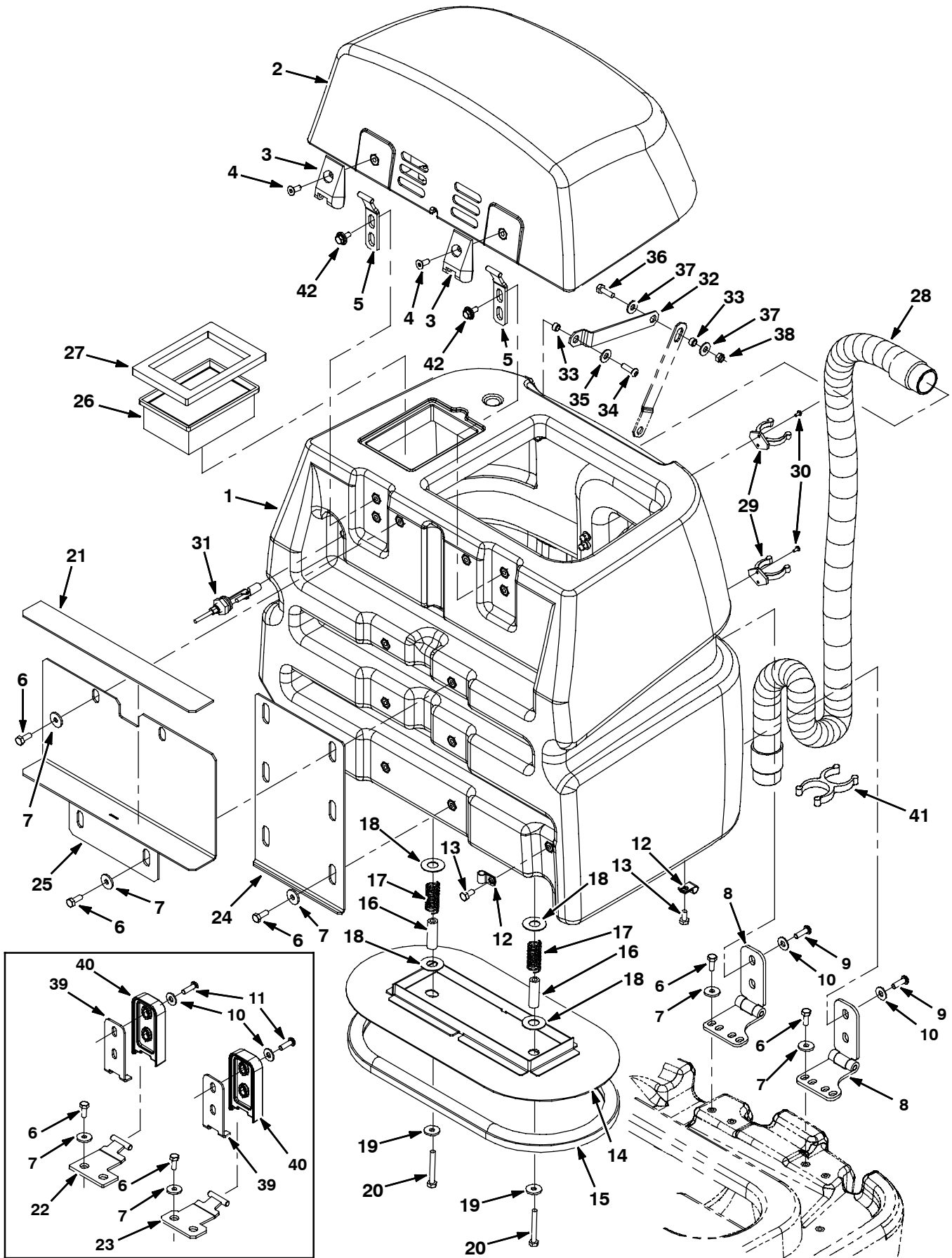


Fig. 24 - Recovery Tank Group

| Ref. | Part No. | Description                               | Qty. |
|------|----------|---|------|
| 1    | 1018036  | Tank, Recvy, W/Label [Ssr]                | 1    |
| 1    | 1018037  | Tank, Recvy. W/Label [Ssr FaST]           | 1    |
| 1    | 9006190  | Tank, Recvy, Spruce, Replmt [Ssr Ec-H2o]  | 1    |
| 2    | 9002007  | Cover, Tank, Recvy, Afmkt, Spruce[Ssr]    | 1    |
| 3    | 222529   | Hinge, Leaf                               | 2    |
| 4    | 222463   | Screw, Flt, M8 X 1.25 X 20, Blk           | 2    |
| 5    | 1012055  | Hinge Wldt, Cover                         | 2    |
| 6    | 09740    | Screw, Hex, M8 X 1.25 X 20, Ss            | 12   |
| 7    | 1017218  | Washer, Flat, 0.321b 1.00d .12, Ss        | 12   |
| 8    | 1018304  | ② Hinge, 10mm Pin, Crs, Blk [T7]          | 2    |
| 9    | 393135   | ② Screw, Btn, M8 X 1.25 X 20, Blk         | 4    |
| 10   | 1016435  | Washer, Flat, 0.52b 0.75d .06, Stl, Blk   | 4    |
| 11   | 1016430  | ① Screw, Btn, M8 X 1.25 X 25, 10.9, Blk   | 4    |
| 12   | 82829    | Clamp, Cable, Stl, 0.63d X 0.75w, 1hole   | 2    |
| 13   | 15675    | Screw, Hex, M8 X 1.25 X 16, Ss            | 2    |
| 14   | 1016855  | Plate Wldt, Seal, Tank                    | 1    |
| 15   | 1020301  | Seal, Afmkt, Bulb, Clsd Cell, Adh, 08ft   | 4    |
| 16   | 1016871  | Spacer, Seal, Tank                        | 2    |
| 17   | 397255   | Spring, Cmpr, 0.85od .08wir 2.0l          | 2    |
| 18   | 605385   | Washer, Flat, 0.69b 1.50d .05, Ss         | 4    |
| 19   | 1017218  | Washer, Flat, 0.321b 1.00d .12, Ss        | 2    |
| 20   | 77270    | Screw, Hex, M8 X 1.25 X 60, Ss            | 2    |
| 21   | 1017705  | Pad, Rbr                                  | 1    |
| 22   | 1011752  | ① Hinge Wldt, Tank                        | 1    |
| 23   | 1011753  | ① Hinge Wldt, Tank                        | 1    |
| 24   | 1017670  | Angle, Sppt, Tank                         | 1    |
| 25   | 1017607  | Bracket Wldt, Tank, Sppt                  | 1    |
| 26   | 1037821  | Filter, Panl, Dust, 2.3 X 4.5 X 6.4       | 1    |
| 27   | 1016392  | Gasket, Fltr, Tank                        | 1    |
| 28   | 1014026  | Hose, Vacuum, 1.50id X 057.1l, 2cuff, Blk | 1    |
| 29   | 1001992  | Clip, Hose, Gripper, 1.75id, Blk Ny       | 2    |
| 30   | 607006   | Screw, Trs, M4 X 0.70 X 12, Phl, Pl       | 4    |
| 31   | 385685   | Sensor, Level, Liquid, 14vdc 01a .62-11   | 1    |
| 32   | 1011853  | Arm, Tank, Retaining                      | 1    |
| 33   | 222516   | Sleeve, P/M, 0.496d 0.318b 0.31l 430ss    | 2    |
| 34   | 1016430  | Screw, Btn, M8 X 1.25 X 25, 10.9, Blk     | 2    |
| 35   | 1016435  | Washer, Flat, 0.52b 0.75d .06, Stl, Blk   | 1    |
| 36   | 09010    | Screw, Hex, M8 X 1.25 X 25, Ss            | 1    |
| 37   | 01685    | Washer, Flat, 0.31 Ss                     | 2    |
| 38   | 08713    | Nut, Hex, Lock, M8 X 1.25, NI, Ss         | 1    |
| 39   | 1017590  | ① Plate, Hinge                            | 2    |
| 40   | 1011536  | ① Hinge, Tank                             | 2    |
| 41   | 1014079  | Clip, Grip, Hose, 1.50id, Dbl, Blk Pyp    | 1    |
| 42   | 1020341  | Screw, Hex, M8 X 1.25 X 20, Ss, Sems      | 4    |

① Serial number (00000000-10346363)

② Serial number (10346364- )

**Fig. 25 - Vacuum Fan Group**

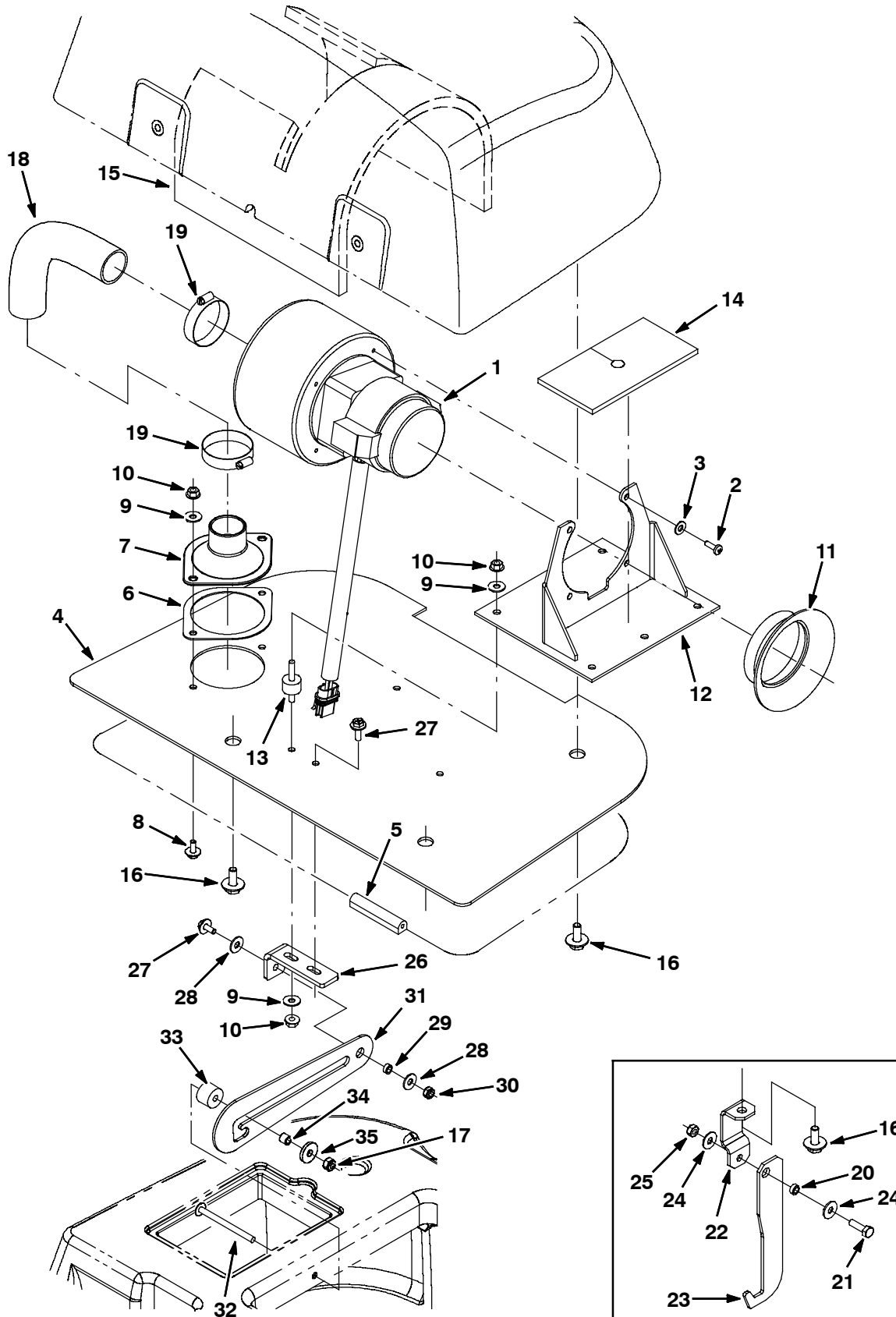


Fig. 25 - Vacuum Fan Group

| Ref. | Part No.   | Description  | Qty. |
|------|------------|--|------|
| 1    | 1039763    | Fan, Vacuum, 5.7d, 024vdc, 3 Stage [Bpp] (See Breakdown) | 1    |
| 2    | 1015506    | Screw, Pan, M5 X 16, F/ Plstc                            | 4    |
| 3    | 19066      | Washer, Flat, #10  | 4    |
| 4    | 1011127    | Plate, Mtg, Fan  | 1    |
| 5    | 1013611    | Seal, Cover, Recvy                                       | 1    |
| 6    | 1014858    | Gasket, Adapter  | 1    |
| 7    | 1014711    | Adaptor, Hose  | 1    |
| 8    | 1034731    | Screw, Hex, M6 X 1.00 X 16, Ss, Sems                     | 2    |
| 9    | 01684      | Washer, Flat, 0.25 Ss                                    | 9    |
| 10   | 07790      | Nut, Hex, Flng, M6 X 1.00                                | 9    |
| 11   | 1011140    | Seal, Fan  | 1    |
| 12   | 1011103    | Bracket Wldt, Mtg, Fan                                   | 1    |
| 13   | 1011093    | Isolator, Vib, .75d, M6 Stud Both Ends                   | 3    |
| ▽    | 9003365    | Insulation Kit, Acstc, Vacfan                            | 1    |
| ▲    | 1028514    | Insulation, Acstc, Vacfan                                | 1    |
| ▲    | 15 1028515 | Insulation, Acstc, Hsng, Vacfan                          | 1    |
| 16   | 1020341    | Screw, Hex, M8 X 1.25 X 20, Ss, Sems                     | 4    |
| 17   | 41169      | ② Nut, Hex, Lock, .25-20, NI, Ss                         | 1    |
| 18   | 1011159    | Hose, Vacuum, 1.5d X 8.3l, Clr, Blk Wire                 | 1    |
| 19   | 79381      | Clamp, Hose, Wormdrive, 1.25-2.00d, .50w                 | 2    |
| 20   | 80491      | ① Sleeve, P/M, 0.375d 0.250b 0.16l 430ss                 | 1    |
| 21   | 08716      | ① Screw, Hex, M6 X 1.0 X 20, Ss                          | 1    |
| 22   | 1015803    | ① Bracket, Mtg, Stop                                     | 1    |
| 23   | 1015808    | ① Plate, Mtg, Tank                                       | 1    |
| 24   | 01684      | ① Washer, Flat, 0.25, Ss                                 | 2    |
| 25   | 08712      | ① Nut, Hex, Lock, M6 X 1.00, Ss, NI                      | 1    |
| 26   | 1026322    | ② Bracket, Mtg, Stop                                     | 1    |
| 27   | 1034731    | ② Screw, Hex, M6 X 1.00 X 16, Ss, Sems                   | 2    |
| 28   | 01684      | ② Washer, Flat, 0.25, Ss                                 | 2    |
| 29   | 80491      | ② Sleeve, P/M, 0.25b 0.38d 0.2l [430ss]                  | 1    |
| 30   | 08712      | ② Nut, Hex, Lock, M6 X 1.00, Ss, NI                      | 1    |
| 31   | 1026270    | ② Bracket, Arm, Prop                                     | 1    |
| 32   | 1026986    | ② Screw, Trs, .25-20 X 3.00, Phl, Ss                     | 1    |
| 33   | 578579     | ② Spacer, 0.25b 0.88d 0.50l                              | 1    |
| 34   | 140154     | ② Sleeve, P/M, 0.25b 0.38d 0.3l, PI                      | 1    |
| 35   | 140053     | ② Washer, Flat, 0.28b 0.88d .12, Ss                      | 1    |

① Serial number (00000000-10261378)

② Serial number (10261379- )

Fig. 26 - Solution Tank Group, Disk Scrub Head

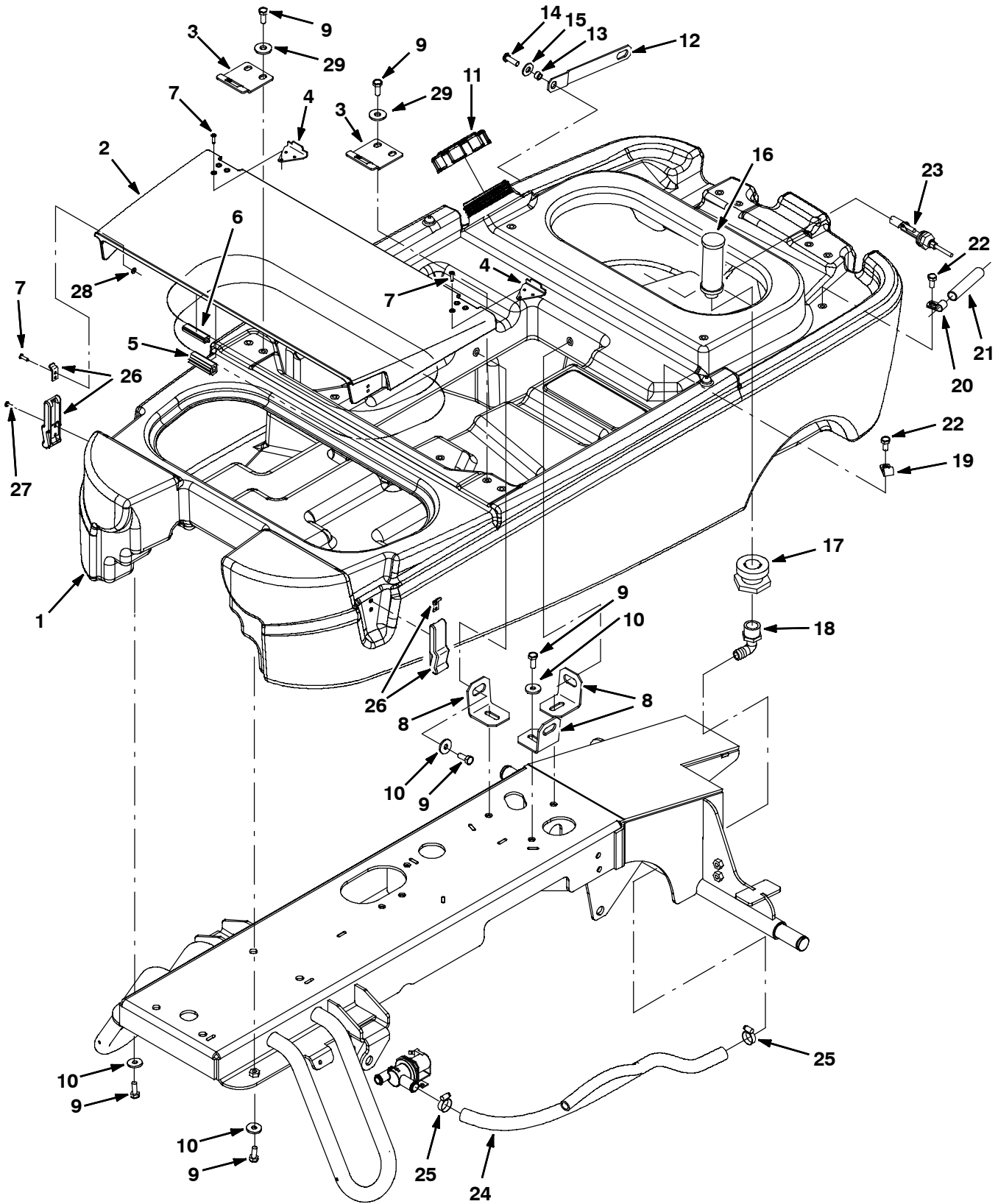




Fig. 26 - Solution Tank Group, Disk Scrub Head

| Ref. | Part No. | Description                              | Qty. |
|------|----------|--|------|
| 1    | 1017913  | Tank, Soltn, W/Label [Nobles]            | 1    |
| 2    | 1017374  | Cover, Tank, Soltn, Pyp, Blk[Ssr]        | 1    |
| 3    | 1020535  | Catch, Cover [Ssr]                       | 2    |
| 4    | 1020534  | Plate, Cover, Tab [Ssr]                  | 2    |
| 5    | 1020727  | Seal, Afmkt, Bulb, Clsd Cell, Adh, 8ft   | 1    |
| 6    | 1020719  | Seal, Afmkt, Bulb, Clsd Cell, Adh, 8ft   | 1    |
| 7    | 1021677  | Rivet, Blind, .156DX0.55X.38D, Ss        | 10   |
| 8    | 1014072  | Bracket, Mtg, Tank                       | 3    |
| 9    | 09740    | Screw, Hex, M8 X 1.25 X 20, Ss           | 12   |
| 10   | 1017218  | Washer, Flat, 0.321b 1.00d .12, Ss       | 8    |
| 11   | 1011885  | Cap, Tank                                | 1    |
| 12   | 1011852  | Arm, Tank, Retaining                     | 1    |
| 13   | 222516   | Sleeve, P/M, 0.496d 0.318b 0.31l 430ss   | 3    |
| 14   | 1016430  | Screw, Btn, M8 X 1.25 X 25, 10.9, Blk    | 2    |
| 15   | 1016435  | Washer, Flat, 0.52b 0.75d .06, Stl, Blk  | 2    |
| 16   | 398770   | Strainer, Soltn, 80mesh Cyl 1.3d 3.5l    | 1    |
| 17   | 377349   | Fitting, Plstc, Pf12/Pf12, Bh            | 1    |
| 18   | 73468    | Fitting, Plstc, E90, Bm10/Pm12           | 1    |
| 19   | 82829    | Clamp, Cable, Stl, 0.63d X 0.75w, 1hole  | 2    |
| 20   | 67767    | Clamp, Cable, Stl, 0.69d X 0.62w, 1h     | 1    |
| 21   | 1019879  | Conduit, Nylon, .50d 3.0l                | 1    |
| 22   | 15675    | Screw, Hex, M8 X 1.25 X 16, Ss           | 2    |
| 23   | 385685   | Sensor, Level, Liquid, 14vdc 01a .62-11  | 1    |
| 24   | 1014825  | Hose, Mold                               | 1    |
| 25   | 54333    | Clamp, Hose, Wormdrive, 0.31-0.88d, .31w | 2    |
| 26   | 49800    | Latch, Draw, Soft, Rbr W/ Keeper         | 2    |
| 27   | 607006   | Screw, Trs, M4 X 0.70 X 12, Phl, Pl      | 4    |
| 28   | 1035394  | Washer, Flat, 0.17b 0.38d .04, Ss        | 4    |
| 29   | 01685    | Washer, Flat, 0.31 Ss                    | 4    |

**Fig. 27 - Solution Tank Group, Cylindrical Scrub Head**

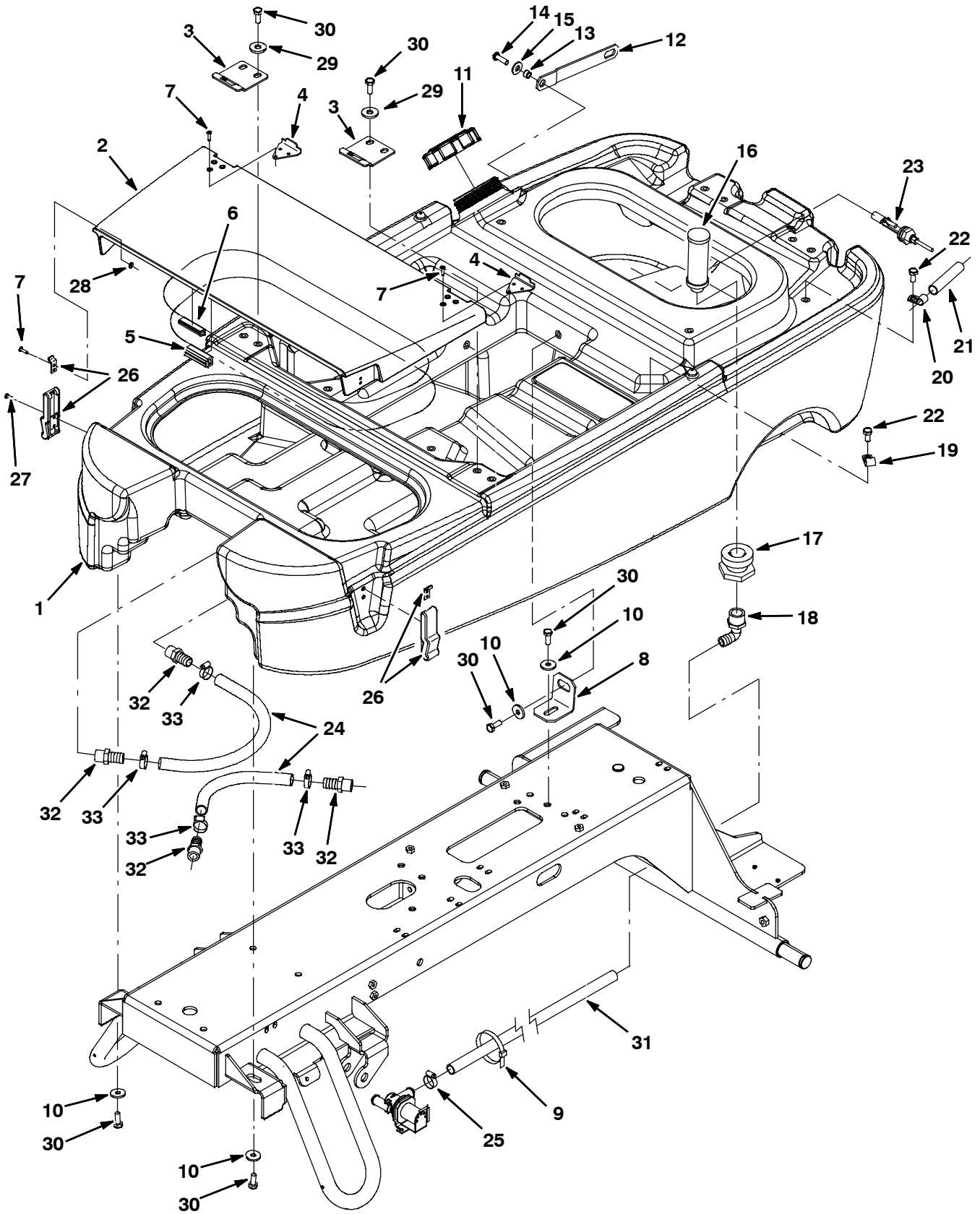


Fig. 27 - Solution Tank Group, Cylindrical Scrub Head

| Ref. | Part No. | Description                              | Qty. |
|------|----------|--|------|
| 1    | 1034286  | Tank, Soltn, W/Label [Nobles]            | 1    |
| 2    | 1017374  | Cover, Tank, Soltn, Pyp, Blk[Ssr]        | 1    |
| 3    | 1020535  | Catch, Cover [Ssr]                       | 2    |
| 4    | 1020534  | Plate, Cover, Tab [Ssr]                  | 2    |
| 5    | 1020727  | Seal, Afmkt, Bulb, Clsd Cell, Adh, 8ft   | 1    |
| 6    | 1020719  | Seal, Afmkt, Bulb, Clsd Cell, Adh, 8ft   | 1    |
| 7    | 1021677  | Rivet, Blind, .156DX0.55X.38D, Ss        | 10   |
| 8    | 1014072  | Bracket, Mtg, Tank                       | 1    |
| 9    | 130773   | Tie, Cable, Nyl, 11.0L, .14W, 3.0 Max. D | 1    |
| 10   | 1017218  | Washer, Flat, 0.321b 1.00d .12, Ss       | 4    |
| 11   | 1011885  | Cap, Tank                                | 1    |
| 12   | 1011852  | Arm, Tank, Retaining                     | 1    |
| 13   | 222516   | Sleeve, P/M, 0.496d 0.318b 0.31l 430ss   | 3    |
| 14   | 1016430  | Screw, Btn, M8 X 1.25 X 25, 10.9, Blk    | 2    |
| 15   | 1016435  | Washer, Flat, 0.52b 0.75d .06, Stl, Blk  | 2    |
| 16   | 398770   | Strainer, Soltn, 80mesh Cyl 1.3d 3.5l    | 1    |
| 17   | 377349   | Fitting, Plstc, Pf12/Pf12, Bh            | 1    |
| 18   | 73468    | Fitting, Plstc, E90, Bm10/Pm12           | 1    |
| 19   | 82829    | Clamp, Cable, Stl, 0.63d X 0.75w, 1hole  | 2    |
| 20   | 67767    | Clamp, Cable, Stl, 0.69d X 0.62w, 1h     | 1    |
| 21   | 1019879  | Conduit, Nylon, .50d 3.0l                | 1    |
| 22   | 15675    | Screw, Hex, M8 X 1.25 X 16, Ss           | 2    |
| 23   | 385685   | Sensor, Level, Liquid, 14vdc 01a .62-11  | 1    |
| 24   | 1035355  | Hose, Afmkt, Pvc, Clr, 0.62ld, 02Ft      | 2    |
| 25   | 63810    | Clamp, Hose, Wormdrive, 0.56-1.06d, .56w | 1    |
| 26   | 49800    | Latch, Draw, Soft, Rbr W/ Keeper         | 2    |
| 27   | 607006   | Screw, Trs, M4 X 0.70 X 12, Phl, Pl      | 4    |
| 28   | 1035394  | Washer, Flat, 0.17b 0.38d .04, Ss        | 4    |
| 29   | 01685    | Washer, Flat, 0.31 Ss                    | 4    |
| 30   | 09740    | Screw, Hex, M8 X 1.25 X 20, Ss           | 8    |
| 31   | 1015026  | Hose, Afmkt, Pvc, Brd, 0.62id, 03ft, Clr | 1    |
| 32   | 41440    | Fitting, Plstc, Str, Bm10/Pm08           | 4    |
| 33   | 54333    | Clamp, Hose, Wormdrive, 0.31-0.88D, .31W | 4    |

Fig. 28 - Tanks Drain Group

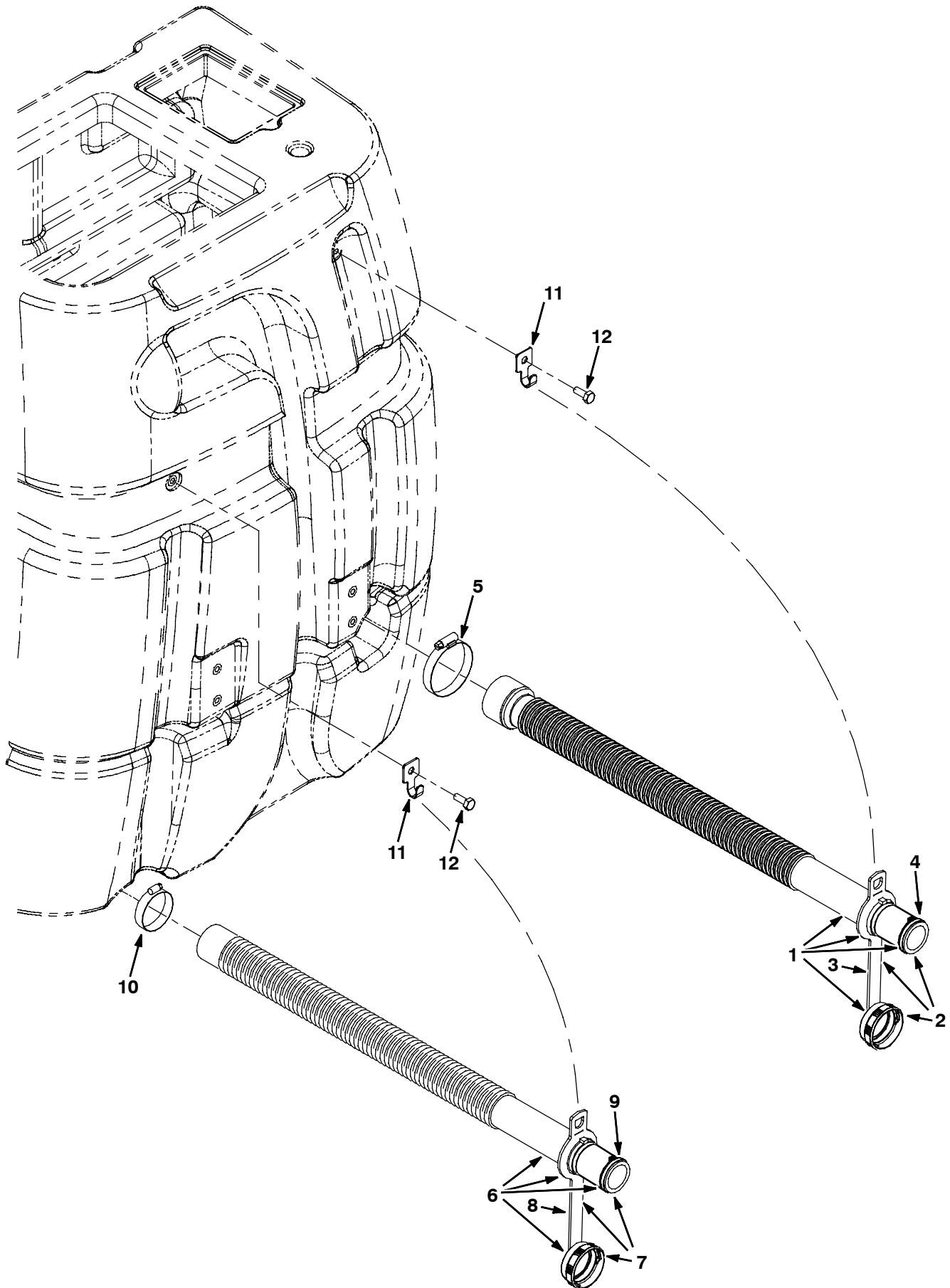


Fig. 28 - Tanks Drain Group

|    | Ref. | Part No. | Description                              | Qty. |
|----|------|----------|--|------|
| ▽  | 1    | 1014274  | Hose Assy, Drain, 26.3l (Recovery Tank)  | 1    |
| ▲▽ | 2    | 1008639  | Cap, Drain Assembly                      | 1    |
| ▲▲ | 3    | 1019563  | Strap, Drain Cap                         | 1    |
| ▲▲ | 4    | 1008637  | O Ring, 1.48" Id, 1.76" Od               | 1    |
|    | 5    | 14432    | Clamp, Hose, Wormdrive, 1.81-2.75d, .56w | 2    |
| ▽  | 6    | 1014268  | Hose Assy, Drain, 29.6l (Solution Tank)  | 1    |
| ▲▽ | 7    | 1008639  | Cap, Drain Assembly                      | 5    |
| ▲▲ | 8    | 1019563  | Strap, Drain Cap                         | 1    |
| ▲▲ | 9    | 1008637  | O Ring, 1.48" Id, 1.76" Od               | 1    |
|    | 10   | 79381    | Clamp, Hose, Wormdrive, 1.25-2.00d, .50w | 1    |
|    | 11   | 222793   | Clip, Hanger, Hose, .38d Hole, Ss        | 2    |
|    | 12   | 09740    | Screw, Hex, M8 X 1.25 X 20, Ss           | 2    |

**Fig. 29 - Battery Group, 235Ah**

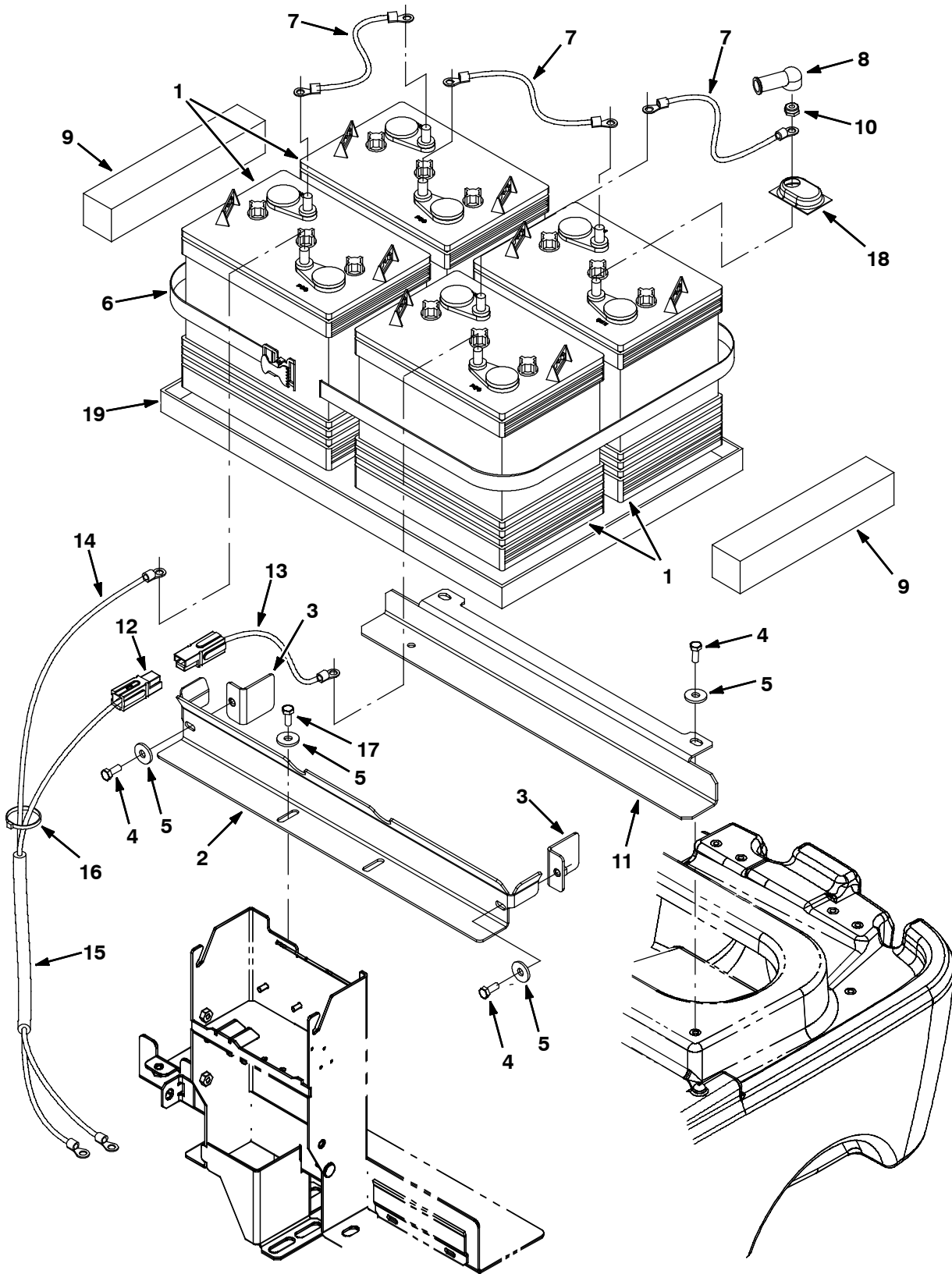


Fig. 29 - Battery Group, 235Ah

| Ref. | Part No. | Description                           | Qty.                                     |   |
|------|----------|---------------------------------------|--|---|
| 1    | 222280   | Battery, 06vdc, 235ah, Wet            | 4  |   |
| 2    | 1015039  | Bracket, Battery                      | 1  |   |
| 3    | 1017062  | Angle, Spacer, Battery                | 2  |   |
| 4    | 09740    | Screw, Hex, M8 X 1.25 X 20, Ss        | 4  |   |
| 5    | 1017218  | Washer, Flat, 0.321b 1.00d .12, Ss    | 6  |   |
| 6    | 222682   | Strap                                 | 1  |   |
| 7    | 223356   | Wire, 04ga 12.0l Blk .34ring /.34ring | 3  |   |
| 8    | 611221   | Boot, Terminal, Battery, 25.4Mm, Blk  | 8  |   |
| 9    | 83415    | Spacer, Battery, 2 X 2 X 11, Foam     | 2  |   |
| 10   | 87435    | Nut, Hex, Flexlock, .31-18            | 8  |   |
| 11   | 1010771  | Angle, Sppt, Battery                  | 1  |   |
| 12   | 397907   | Wire Assy, Cable, 4ga, Red            | 1  |   |
| ▽    | 13       | 397908                                | Wire Assy, Cable, 4ga, Red               | 1 |
| ▲    |          | 1020446                               | Connector, Anderson, 1321 Series         | 1 |
| ▲    |          | 1020447                               | Terminal, Contact, Anderson, 1319g4, 4ga | 1 |
| 14   | 223364   | Wire, 04ga 16.0l Blk .34ring /.34ring | 1  |   |
| 15   | 1020105  | Sleeve, Afmkt, Nyl, #13, 1ft          | 1  |   |
| 16   | 49263    | Tie, Cable, Nyl, 11.4l .19w 3.0 Max D | 3  |   |
| 17   | 15675    | Screw, Hex, M8 X 1.25 X 16, Ss        | 2  |   |
| 18   | 1041030  | Cap, Battery                          | 8  |   |
| 19   | 1025155  | Tray, Battery, 605x370x25             | 1  |   |

Fig. 30 - Rear Squeegee Lift Group, Disk Scrub Head

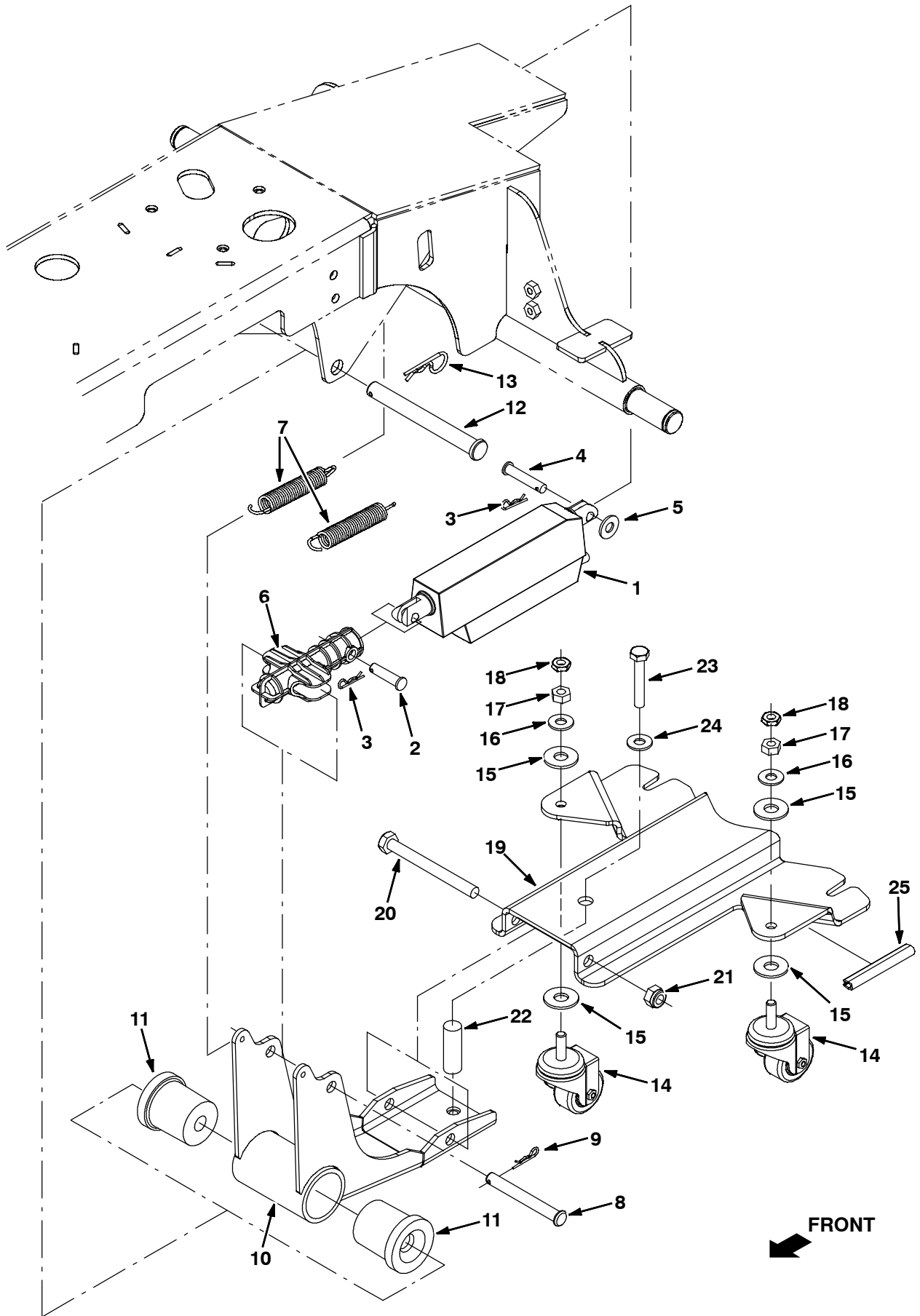




Fig. 30 - Rear Squeegee Lift Group, Disk Scrub Head

| Ref. | Part No. | Description                              | Qty. |
|------|----------|--|------|
| 1    | 1009268  | Actuator, 12vdc, 40mm Strk 750n          | 1    |
| 2    | 1009356  | Pin, Clevis , 10mm X 40l                 | 1    |
| 3    | 86866    | Pin, Hair Cotter, 0.38 D .072 Wir        | 2    |
| 4    | 94877    | Pin, Clevis, 10d X 50l                   | 1    |
| 5    | 01686    | Washer, Flat, 0.44b 1.00 .08, Ss         | 1    |
| 6    | 1012607  | ① Housing, Spring, Sqge Actuator         | 1    |
| 6    | 1031028  | ② Housing, Sqge, Spring, Actuator        | 1    |
| 7    | 1016639  | Spring, Extn, 0.75od X 0.11wir, 4.5l     | 2    |
| 8    | 96184    | Pin, Clevis, 12d X 100l, Pl              | 1    |
| 9    | 86866    | Pin, Cotter, Hair, 0.38d .072 Wir        | 1    |
| 10   | 1031379  | Arm Wldt, Sqge, Rear                     | 1    |
| 11   | 1013515  | Bushing, Flex, Ure                       | 2    |
| 12   | 1010401  | Pin, Clevis, 16d X 150l                  | 1    |
| 13   | 02942    | Pin, Hair Cotter, 0.62 D .120 Wir        | 1    |
| 14   | 1011561  | Caster, Swivel, 50d, M10 X 1.5 X 30 Stem | 2    |
| 15   | 41619    | Washer, Flat, 0.56b 1.38d .11, Ss        | 4    |
| 16   | 01686    | Washer, Flat, 0.44b 1.00 .08, Ss         | 2    |
| 17   | 07787    | Nut, Hex, Std, M10 X 1.5, Ss             | 2    |
| 18   | 32716    | Nut, Hex, Jam, M10 X 1.5, Ss             | 2    |
| 19   | 1018725  | Channel, Arm, Lower Sqge                 | 1    |
| 20   | 12138    | Screw, Hex, M12 X 1.75 X 120, 8.8        | 1    |
| 21   | 09741    | Nut, Hex, Lock, M12 X 1.75, NI, Ss       | 1    |
| 22   | 1020182  | Spring, Cmpr, 20mm D X 44mm L            | 1    |
| 23   | 04417    | Screw, Hex, M10 X 1.5 X 60, Ss           | 1    |
| 24   | 01686    | Washer, Flat, 0.44b 1.00 .08, Ss         | 1    |
| 25   | 1020168  | Molding, Afmkt, Trim, Pvc, .08-.11, 1ft  | 1    |

① Serial number (00000000-10280388)

② Serial number (10280389- )

**Fig. 31 - Rear Squeegee Lift Group, Cylindrical Scrub Head**

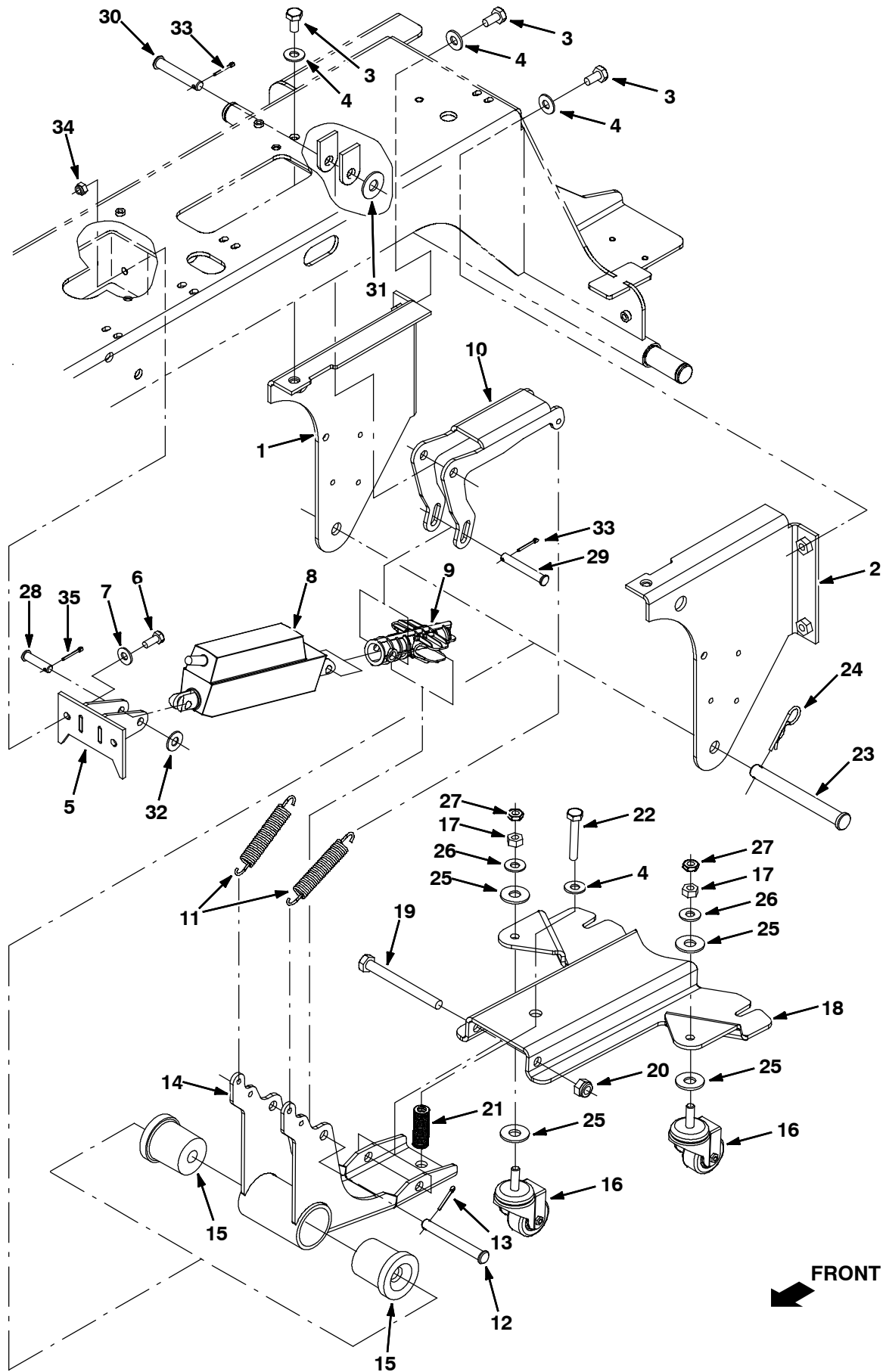


Fig. 31 - Rear Squeegee Lift Group, Cylindrical Scrub Head

| Ref. | Part No. | Description                             | Qty. |
|------|----------|---|------|
| 1    | 1028997  | Support, Frame, Sqge                    | 1    |
| 2    | 1028998  | Support, Frame, Sqge                    | 1    |
| 3    | 09291    | Screw, Hex, M10 X 1.5 X 20, Ss          | 6    |
| 4    | 01686    | Washer, Flat, 0.44b 1.00d .08, Ss       | 7    |
| 5    | 1029072  | Bracket Wldt, Actuator                  | 1    |
| 6    | 09740    | Screw, Hex, M8 X 1.25 X 20, Ss          | 2    |
| 7    | 01685    | Washer, Flat, 0.38b 0.88d .08, Ss       | 2    |
| 8    | 1009268  | Actuator, 12vdc, 40mm Strk [750n]       | 1    |
| 9    | 1031028  | Housing, Sqge, Spring, Actuator         | 1    |
| 10   | 1032539  | Arm, Spring, Mtg                        | 1    |
| 11   | 1016639  | Spring, Extn, 0.75od 0.11wir 04.5l      | 2    |
| 12   | 1018483  | Pin, Clevis, 12mmd X 100mml             | 1    |
| 13   | 08182    | Pin, Cotter, .125 X 1.00                | 1    |
| 14   | 1032452  | Arm Wldt, Sqge, Rear, Cylrc             | 1    |
| 15   | 1013515  | Bushing, Flex, Ure                      | 2    |
| 16   | 1011561  | Caster, Swivel, 50mmd, M10 X 30, Clr Pl | 2    |
| 17   | 07787    | Nut, Hex, Std, M10 X 1.50, Ss           | 2    |
| 18   | 1018725  | Channel, Arm, Lower Sqge                | 1    |
| 19   | 12138    | Screw, Hex, M12 X 1.75 X 120, 8.8       | 1    |
| 20   | 09741    | Nut, Hex, Lock, M12 X 1.75, NI, Ss      | 1    |
| 21   | 1020182  | Spring, Cmpr, 0.70od, 01.7l             | 1    |
| 22   | 04417    | Screw, Hex, M10 X 1.5 X 60, Ss          | 1    |
| 23   | 1010401  | Pin, Clevis, 16mmd X 150mml             | 1    |
| 24   | 02942    | Pin, Cotter, Hair, 0.62d .120 Wir       | 1    |
| 25   | 41619    | Washer, Flat, 0.56b 1.38d .11, Ss       | 4    |
| 26   | 01686    | Washer, Flat, 0.44b 1.00d .08, Ss       | 2    |
| 27   | 32716    | Nut, Hex, Jam, M10 X 1.5, Ss            | 2    |
| 28   | 94877    | Pin, Clevis, 10mmd X 050mml             | 1    |
| 29   | 1032733  | Pin, Clevis, 10mmd X 070mml, PI         | 1    |
| 30   | 1032732  | Pin, Clevis, 12mmd X 070mml, PI         | 1    |
| 31   | 41619    | Washer, Flat, 0.56b 1.38d .11, Ss       | 1    |
| 32   | 01686    | Washer, Flat, 0.44b 1.00d .08, Ss       | 2    |
| 33   | 08182    | Pin, Cotter, .125 X 1.00                | 2    |
| 34   | 08713    | Nut, Hex, Lock, M8 X 1.25, NI, Ss       | 2    |
| 35   | 86866    | Pin, Cotter, Hair, 0.38d .072 Wir       | 1    |

**Fig. 32 - Rear Squeegee Group, 650 mm (26 in)**

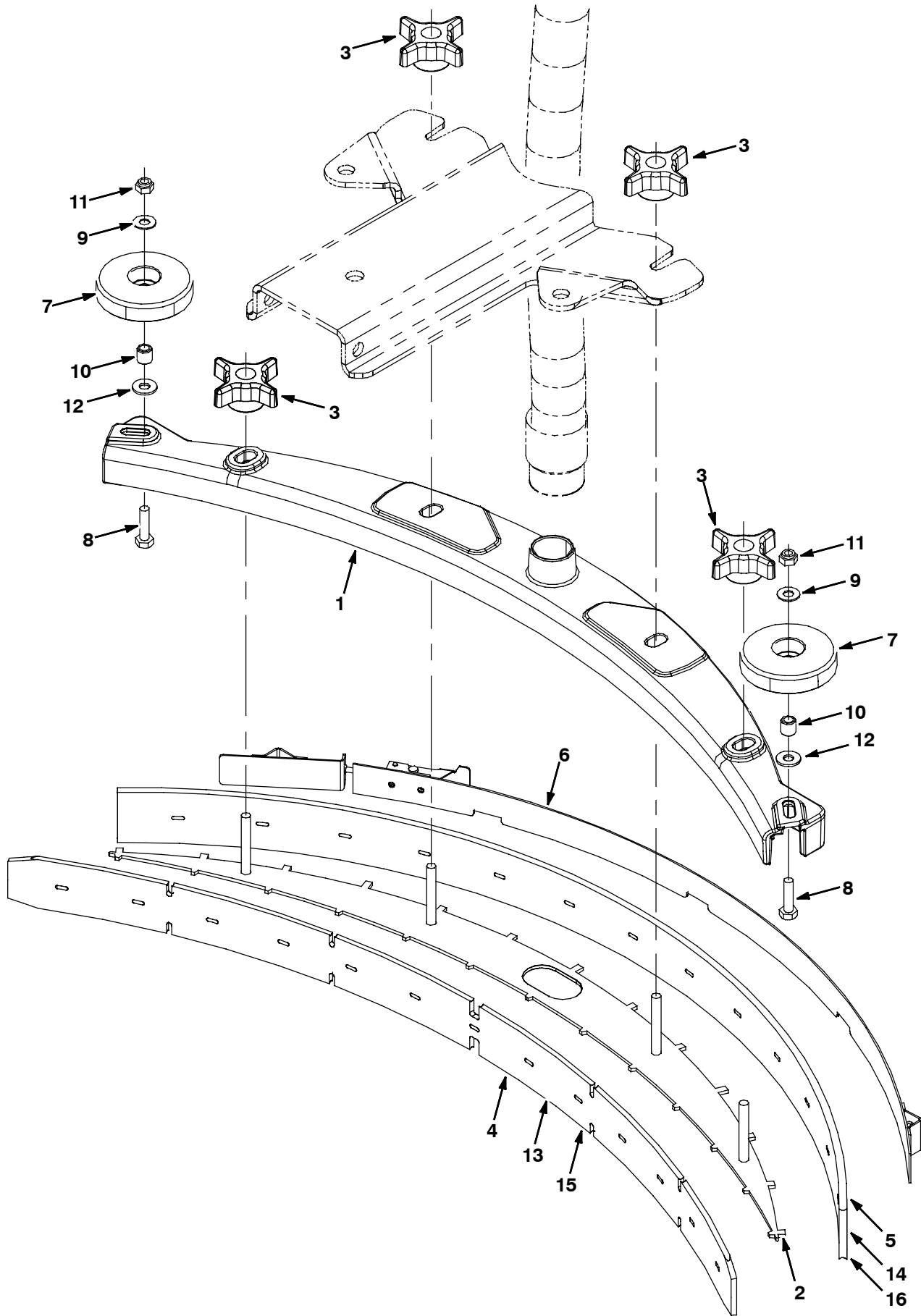


Fig. 32 - Rear Squeegee Group, 650 mm (26 in)

| Ref. | Part No.  | Description                              | Qty. |
|------|-----------|--|------|
| ▽    | 9000139   | Squeegee Kit, 650mm, Ci [T7/Ssr]         | 1    |
| ▲    | 1 1001468 | Frame, Sqge, 700mm                       | 1    |
| ▲    | 2 1012934 | Plate Wldt, Sqge, Retainer, 700mm        | 1    |
| ▲    | 3 1054375 | Knob, Star, 2.75d 4ear 1.1l M8x1.25,Thru | 4    |
| ▲    | 4 390943  | Blade, Sqge, Front, 700mm Linatex, 35.0l | 1    |
| ▲    | 5 390942  | Blade, Sqge, Rear, 700mm Linatex [37.5l] | 1    |
| ▲    | 6 1033158 | Strap Assy, Sqge, 700mm                  | 1    |
| ▲    | 7 1010560 | Wheel, Bmpr, 80d X 25w, Non-Marking      | 2    |
| ▲    | 8 09011   | Screw, Hex, M8 X 1.25 X 30, Ss           | 2    |
| ▲    | 9 140027  | Washer, Flat, 0.35b 0.75d .04, Ss        | 2    |
| ▲    | 10 222460 | Sleeve, P/M, 0.496d 0.318b 0.50l 430ss   | 2    |
| ▲    | 11 08713  | Nut, Hex, Lock, M8 X 1.25, NI, Ss        | 2    |
| ▲    | 12 01685  | Washer, Flat, 0.38b 0.88d .08, Ss        | 2    |
| ▽    | 391384    | Squeegee Kit, Oil-Rstn, 700mm            | 1    |
| ▲    | 13 391377 | Blade, Sqge, Front, 700mm Oil-Rstn,35.0l | 1    |
| ▲    | 14 391378 | Blade, Sqge, Rear, 700mm Oil-Rstn[37.0l] | 1    |
| ▽    | 391386    | Squeegee Kit, Tile, 700mm                | 1    |
| ▲    | 15 390943 | Blade, Sqge, Front, 700mm Linatex, 35.0l | 1    |
| ▲    | 16 390936 | Blade, Sqge, Rear, 700mm Gum Rbr [37.5l] | 1    |

Fig. 33 - Rear Squeegee Group, 800 mm (32 in)

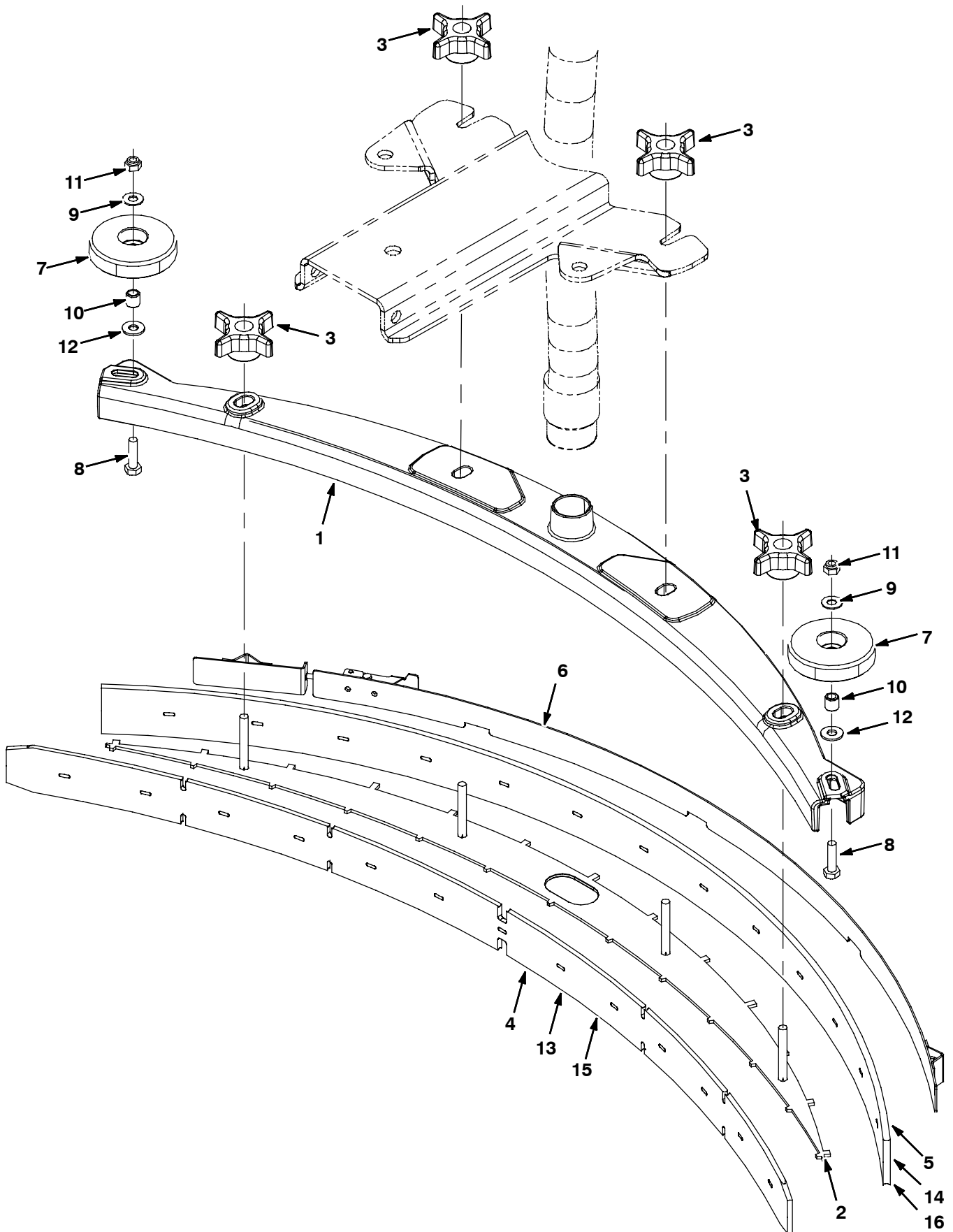


Fig. 33 - Rear Squeegee Group, 800 mm (32 in)

| Ref. | Part No.  | Description                              | Qty. |
|------|-----------|--|------|
| ▽    | 9000145   | Squeegee Kit, 800mm, Ci [T7/Ssr]         | 1    |
| ▲    | 1 1012964 | Frame, Sqge, 800mm                       | 1    |
| ▲    | 2 1013395 | Plate Wldt, Sqge, Retainer, 800mm        | 1    |
| ▲    | 3 1054375 | Knob, Star, 2.75d 4ear 1.1l M8x1.25,Thru | 4    |
| ▲    | 4 390923  | Blade, Sqge, Front, 800mm Linatex, 41.5l | 1    |
| ▲    | 5 390922  | Blade, Sqge, Rear, 800mm Linatex [44.0l] | 1    |
| ▲    | 6 1033102 | Strap Assy, Sqge, 800mm                  | 1    |
| ▲    | 7 1010560 | Wheel, Bmpr, 80d X 25w, Non-Marking      | 2    |
| ▲    | 8 09011   | Screw, Hex, M8 X 1.25 X 30, Ss           | 2    |
| ▲    | 9 140027  | Washer, Flat, 0.35b 0.75d .04, Ss        | 2    |
| ▲    | 10 222460 | Sleeve, P/M, 0.496d 0.318b 0.50l 430ss   | 2    |
| ▲    | 11 08713  | Nut, Hex, Lock, M8 X 1.25, NI, Ss        | 2    |
| ▲    | 12 01685  | Washer, Flat, 0.38b 0.88d .08, Ss        | 2    |
| ▽    | 391383    | Squeegee Kit, Oil-Rstn, 800mm            | 1    |
| ▲    | 13 391379 | Blade, Sqge, Front, 800mm Oil-Rstn,41.5l | 1    |
| ▲    | 14 391380 | Blade, Sqge, Rear, 800mm Oil-Rstn[44.0l] | 1    |
| ▽    | 391385    | Squeegee Kit, Tile, 800mm                | 1    |
| ▲    | 15 390923 | Blade, Sqge, Front, 800mm Linatex, 41.5l | 1    |
| ▲    | 16 390934 | Blade, Sqge, Rear, Gum Rbr, 800mm[44.0l] | 1    |

Fig. 34 - Circuit Board Group

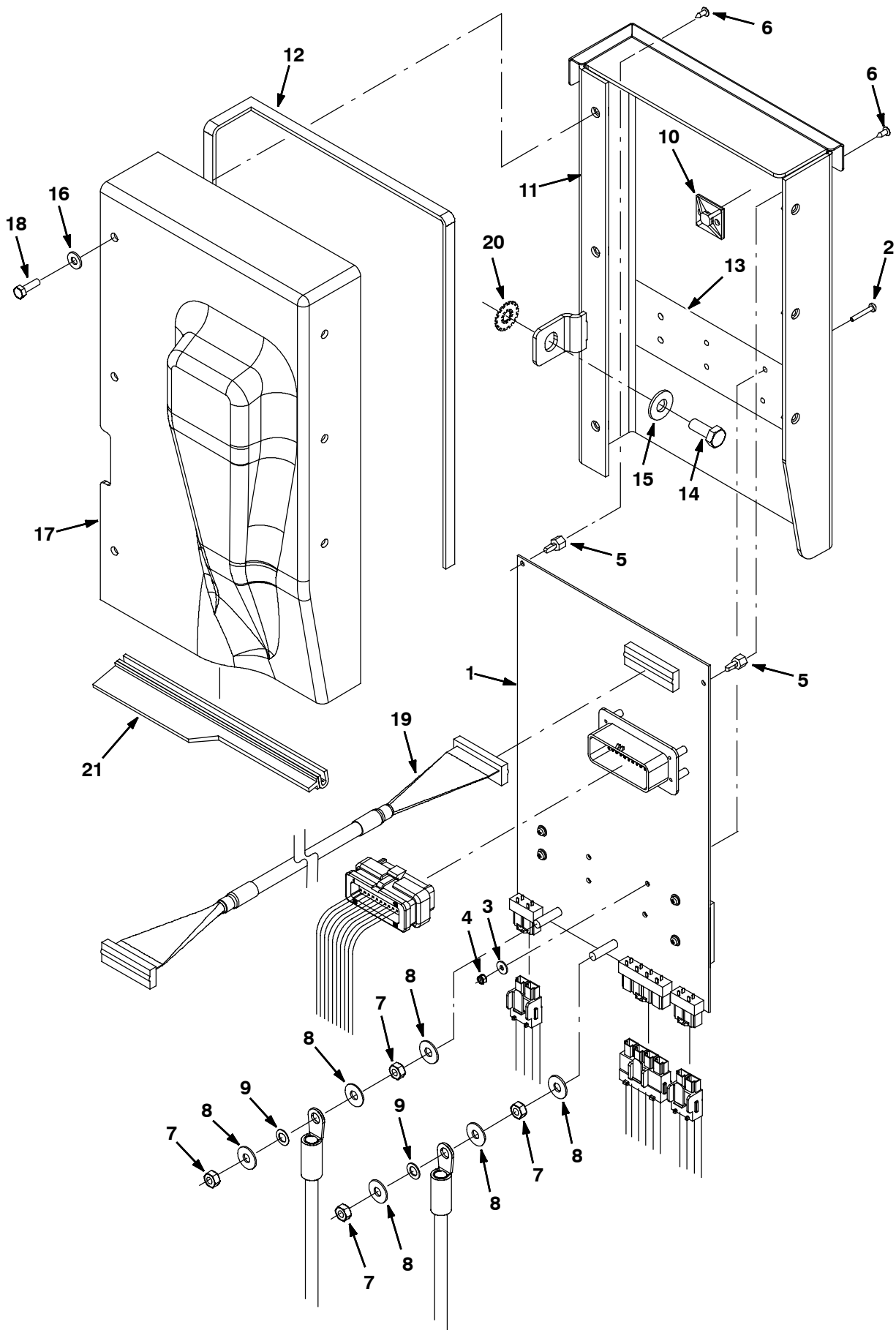




Fig. 34 - Circuit Board Group

| Ref. | Part No. | Description | Qty.  |   |
|------|----------|-------------|---|---|
| ▽    | 1        | 9006882     | Controller Kit, Replmt, Ci [T7 Disk]        | 1 |
| ▲    | 2        | 06922       | Screw, Pan, M3 X 0.5 X 20, 4.8              | 4 |
| ▲    | 3        | 1019218     | Washer, Flat, 0.14b 0.31d, Nyl              | 3 |
| ▲    | 4        | 579211      | Nut, Hex, Lock, M3 X .5, Ss                 | 3 |
| ▲    | 5        | 1016825     | Support, Circuitboard                       | 2 |
| ▲    | 6        | 3701.6      | Screw, Pan, #06-32 X 0.38, Phl Ss Shtmtl    | 2 |
| ▲    | 7        | 07785       | Nut, Hex, Std, M6 X 1.0, A2, Ss             | 4 |
| ▲    | 8        | 1057560     | Washer, Flat, M6.4b, X 16d X 1 Ss           | 6 |
| ▲    | 9        | 32982       | Washer, Lock, Int, 0.25                     | 2 |
| ▲    | 10       | 55248       | Mount, Cable Tie                            | 1 |
| ▲    | 11       | 1017754     | Panel, Wldt, Cntrl                          | 1 |
| ▲    | 12       | 1020284     | Seal, Afmkt, Rbr, Clsd, Adh, 03ft (C410217) | 1 |
| ▲    | 13       | 1016816     | Pad, Thermal, Heat Sink                     | 1 |
| ▽    | 1        | 9006881     | Controller Kit, Replmt, Ci [T7 Cyl]         | 1 |
| ▲    | 2        | 06922       | Screw, Pan, M3 X 0.5 X 20, 4.8              | 4 |
| ▲    | 3        | 1019218     | Washer, Flat, 0.14b 0.31d, Nyl              | 3 |
| ▲    | 4        | 579211      | Nut, Hex, Lock, M3 X .5, Ss                 | 3 |
| ▲    | 5        | 1016825     | Support, Circuitboard                       | 2 |
| ▲    | 6        | 3701.6      | Screw, Pan, #06-32 X 0.38, Phl Ss Shtmtl    | 2 |
| ▲    | 7        | 07785       | Nut, Hex, Std, M6 X 1.0, A2, Ss             | 4 |
| ▲    | 8        | 1057560     | Washer, Flat, M6.4b, X 16d X 1 Ss           | 6 |
| ▲    | 9        | 32982       | Washer, Lock, Int, 0.25                     | 2 |
| ▲    | 10       | 55248       | Mount, Cable Tie                            | 1 |
| ▲    | 11       | 1017754     | Panel, Wldt, Cntrl                          | 1 |
| ▲    | 12       | 1020284     | Seal, Afmkt, Rbr, Clsd, Adh, 03ft (C410217) | 1 |
| ▲    | 13       | 1016816     | Pad, Thermal, Heat Sink                     | 1 |
|      | 14       | 09740       | Screw, Hex, M8 X 1.25 X 20, Ss              | 1 |
|      | 15       | 01685       | Washer, Flat, 0.31 Ss                       | 1 |
|      | 16       | 76426       | Washer, Sealing, 0.28b 0.75d Ss/Neo         | 6 |
|      | 17       | 1036368     | Cover, Panl, Ele, Afmkt, Na, Ce, Tj         | 1 |
|      | 18       | 24199       | Screw, Hex, M5 X 0.8 X 16, Ss               | 6 |
|      | 19       | 1016865     | Cable, Ribbon                               | 1 |
|      | 20       | 41141       | Washer, Lock, Int-Ext, 0.31                 | 1 |
|      | 21       | 1019083     | Seal, Cut                                   | 1 |

**Fig. 35 - Electrical Group**

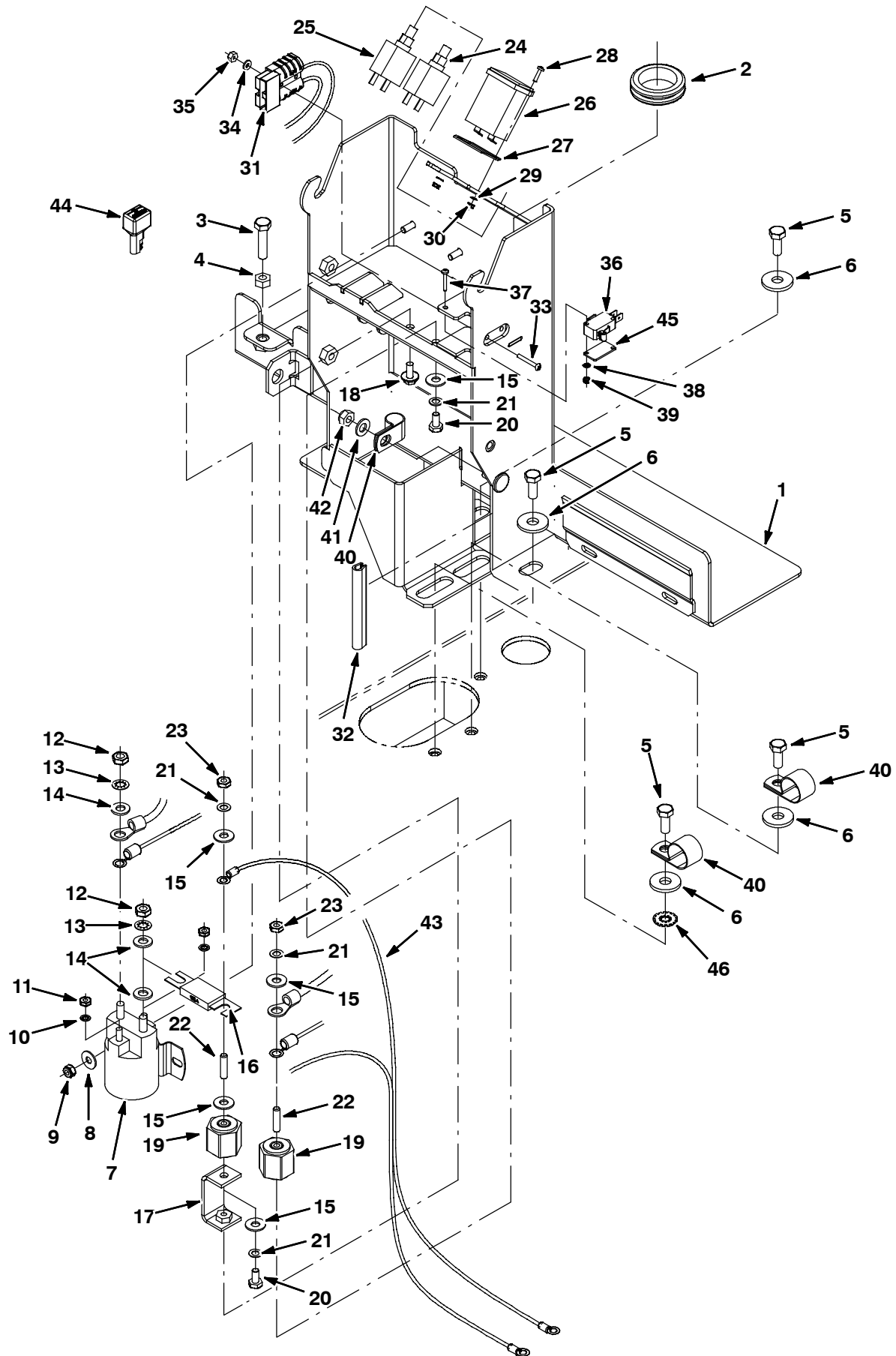


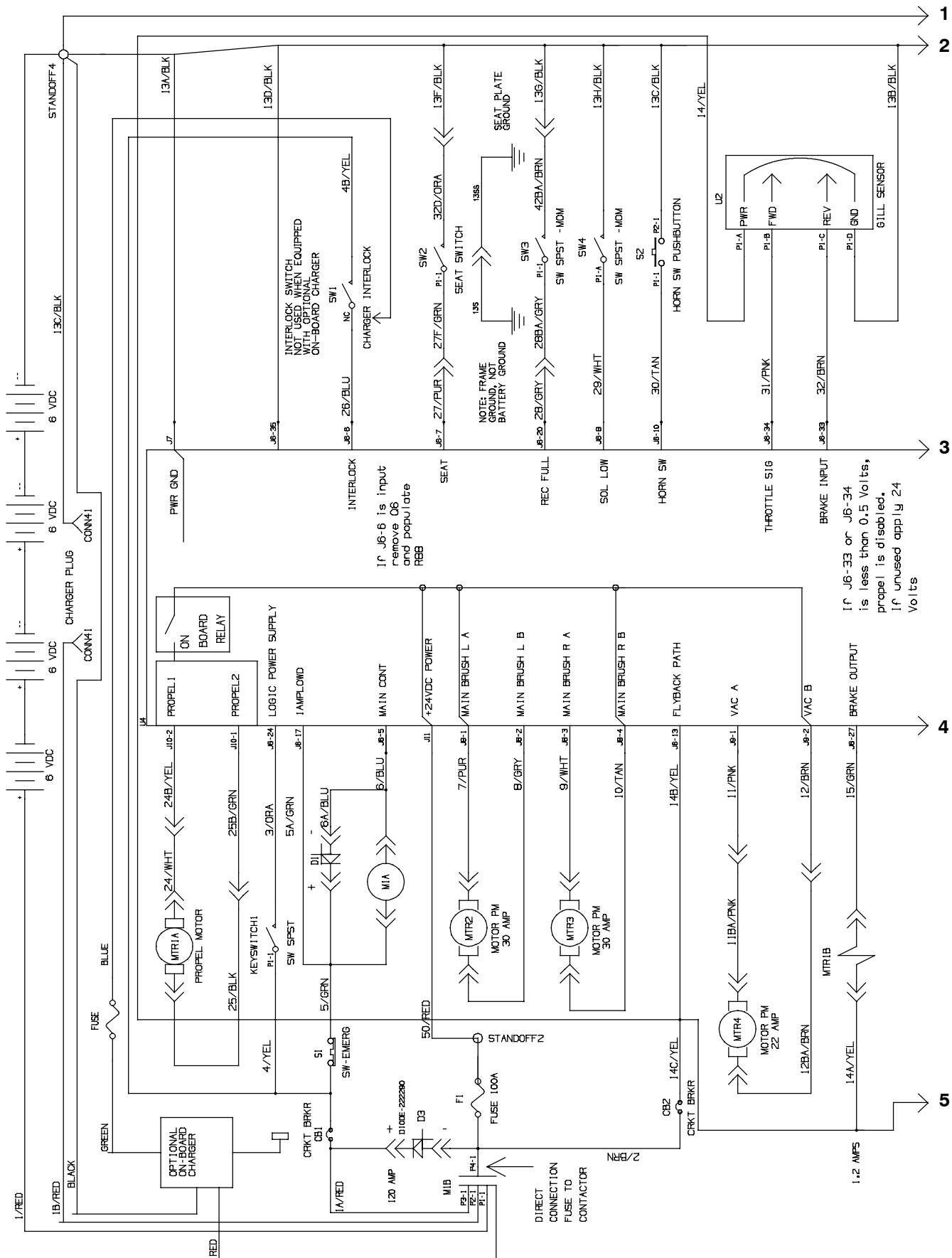
Fig. 35 - Electrical Group

| Ref. | Part No. | Description   | Qty. |
|------|----------|---|------|
| 1    | 1062850  | Support Wldt, Actuator (For Disk Scrub Head) (Note: For machines built before S/N 10490105 also order Grommet P/N 10632-13) | 1    |
| 1    | 1021531  | Support Wldt, Actuator (For Cylindrical Scrub Head)   | 1    |
| 2    | 10632-13 | ② Grommet, Rbr, 1.50id, F/1.8h, .19 Matl  | 1    |
| 2    | 54345    | ① Grommet, Rbr, 1.62id, F/1.9h, .13 Matl  | 1    |
| 3    | 09023    | Screw, Hex, M8 X 1.25 X 35, Ss, Fl  | 1    |
| 4    | 07786    | Nut, Hex, Std, M8 X 1.25, Ss  | 1    |
| 5    | 09740    | Screw, Hex, M8 X 1.25 X 20, Ss  | 5    |
| 6    | 1017218  | Washer, Flat, 0.321b 1.00d .12, Ss  | 5    |
| 7    | 02424    | Relay, 24vdc, 100a, Sp N/O [White]  | 1    |
| 8    | 01684    | Washer, Flat, 0.25 Ss   | 2    |
| 9    | 08712    | Nut, Hex, Lock, M6 X 1.0, Ss, NI  | 2    |
| 10   | 07514    | Washer, Lock, Int, #10, Ss  | 2    |
| 11   | 01689    | Nut, Hex, Std, #10-32, Ss   | 2    |
| 12   | 20170    | Nut, Hex, Jam, .31-24   | 2    |
| 13   | 32984    | Washer, Lock, Int, .31  | 2    |
| 14   | 39349    | Washer, Flat, 0.31 Sae  | 3    |
| 15   | 32490    | Washer, Flat, 0.25 Std  | 5    |
| 16   | 86379    | Fuse, .88 X 3.2l 100a 125vac  | 1    |
| 17   | 1018546  | Bracket, Stand-Off (For Disk Scrub Head)  | 1    |
| 18   | 1034731  | Screw, Hex, M6 X 1.00 X 16, Ss, Sems  | 1    |
| 19   | 76062    | Insulator, Panel & Switchboard  | 2    |
| 20   | 58670    | Screw, Hex, .25-20 X 0.50, NI   | 2    |
| 21   | 32982    | Washer, Lock, Int, 0.25   | 4    |
| 22   | 1017807  | Rod, Thrd, Full, .25-20 01.0l   | 2    |
| 23   | 32520    | Nut, Hex, Jam, .25-20   | 2    |
| 24   | 383720   | Circuitbreaker, 5.0a  | 1    |
| 25   | 383722   | Circuitbreaker, 15.0a   | 1    |
| 26   | 377433   | Gauge, Hourmeter, 12-60vdc, Analog [10k]  | 1    |
| 27   | 222683   | Gasket, Hourmeter   | 1    |
| 28   | 09146    | Screw, Pan, M3 X 0.5 X 12, 4.8  | 2    |
| 29   | 39658    | Washer, Lock, Int, #04  | 2    |
| 30   | 01754    | Nut, Hex, Std, M3 X 0.5, 8  | 2    |
| 31   | 391915   | Harness, Chrgr [T7]   | 1    |
| 32   | 1020168  | Molding, Afrmkt, Trim, Pvc, .08-.11, 1ft  | 1    |
| 33   | 25005    | Screw, Pan, #06-32 X 1.00, 1  | 2    |
| 34   | 19064    | Washer, Flat, #06   | 2    |
| 35   | 75939    | Nut, Hex, Lock, #06-32, NI  | 2    |
| 36   | 600437   | Switch, Snap Actn, 250vac 16a Rlr   | 1    |
| 37   | 06922    | Screw, Pan, M3 X 0.5 X 20, 4.8  | 2    |
| 38   | 39658    | Washer, Lock, Int, #04  | 2    |
| 39   | 01754    | Nut, Hex, Std, M3 X 0.5, 8  | 2    |
| 40   | 69234    | Clamp, Cable, Stl, 1.00d X 0.62w, 1h  | 3    |
| 41   | 01685    | Washer, Flat, 0.31 Ss   | 1    |
| 42   | 08713    | Nut, Hex, Lock, M8 X 1.25, NI, Ss   | 1    |
| 43   | 391916   | Harness, Power, [T7]  | 1    |
| 44   | 222290   | Diode, Ele, Plug  | 2    |
| 45   | 601359   | Plate, Backing, Switch  | 1    |
| 46   | 41141    | Washer, Lock, Int-Ext, 0.31   | 1    |

① Serial number (00000000-10490104)

② Serial number (10490105- )

Fig. 36 - Electrical Schematic, Standard & FaST Model (S/N 10426043- )



1053088

Fig. 36 - Electrical Schematic, Standard & FaST Model (S/N 10426043- )

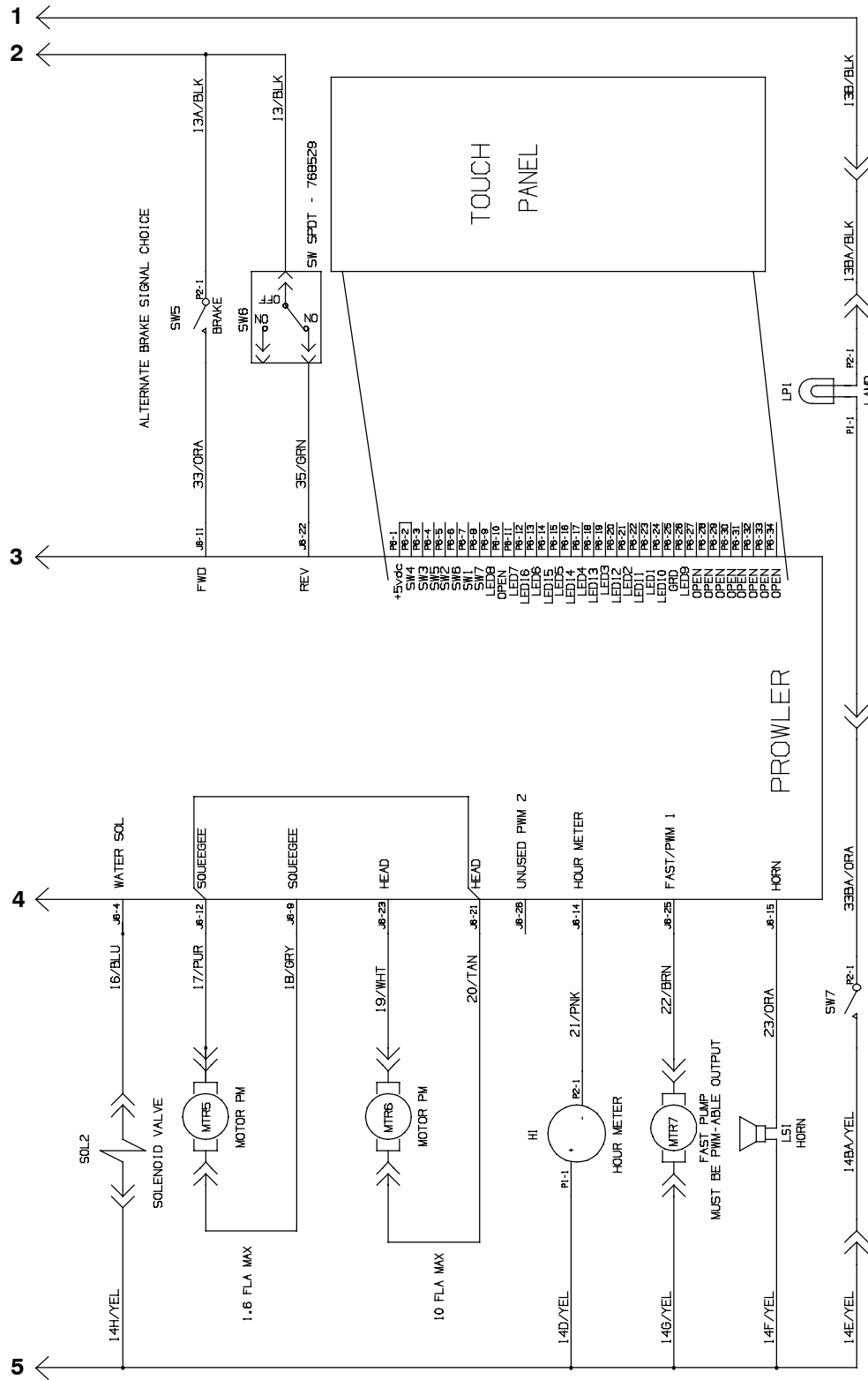


Fig. 37 - Electrical Schematic, Standard & FaST Model (S/N 0000000-10426042)

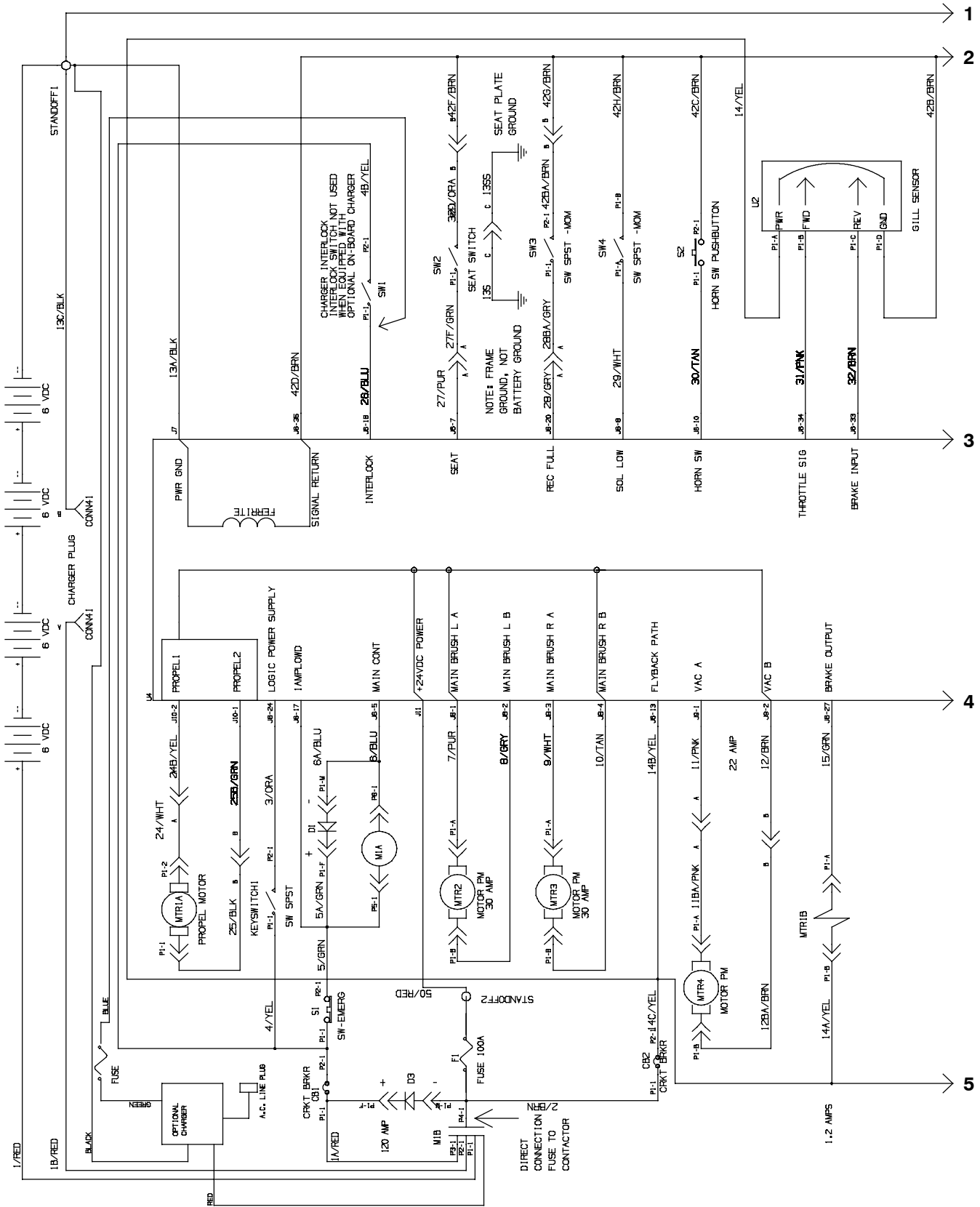
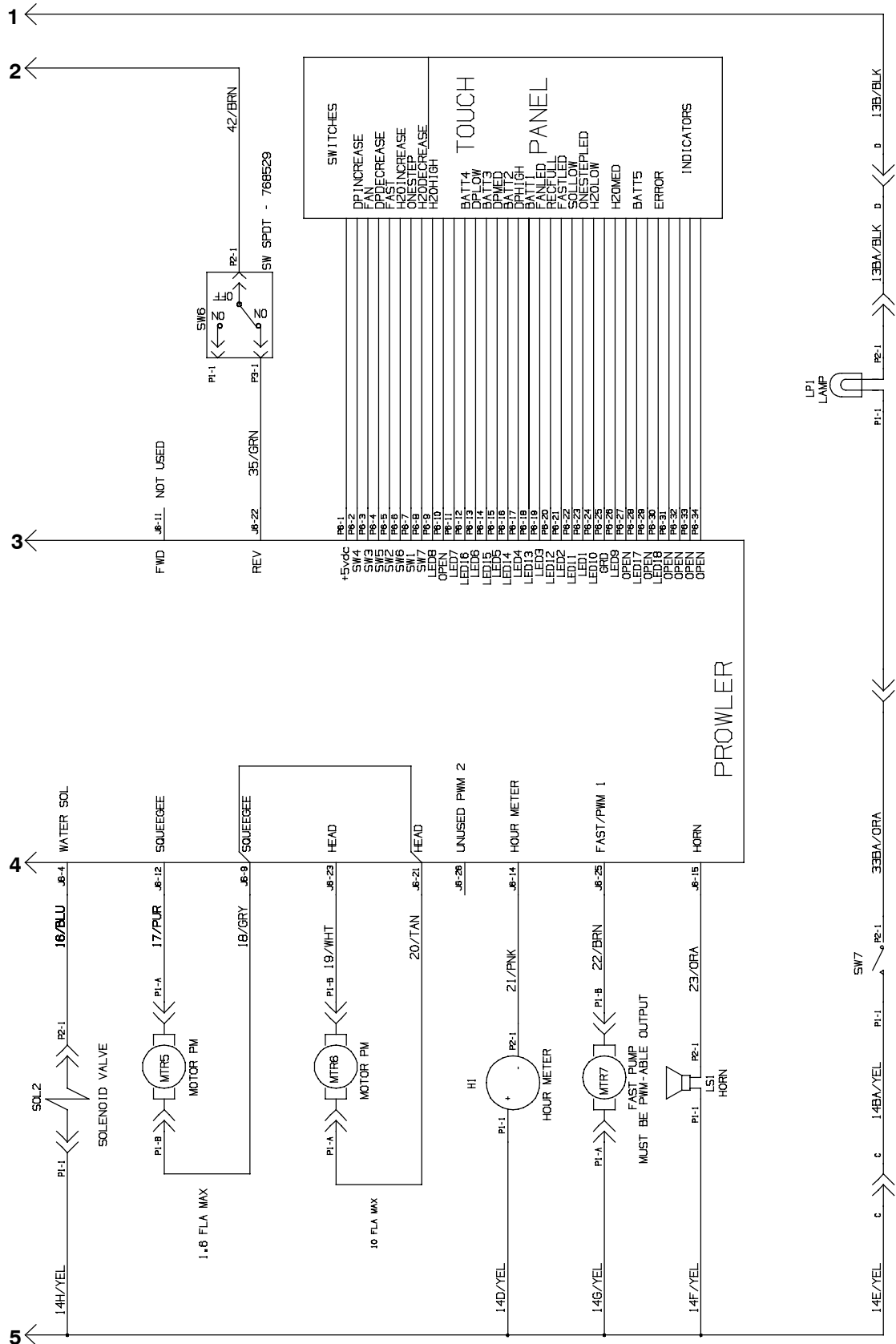


Fig. 37 - Electrical Schematic, Standard & FaST Model (S/N 0000000-10426042)



1. 1/RED battery + , 13/BLK battery -
2. All other wires will have a specific wire color based on the one's digit of the wire number as follows:
  - x1=PNK (except 1/RED)    x6=BLU
  - x2=BRN    x7=PUR
  - x3=ORA (except 13/BLK)    x8=GRY
  - x4=YEL    x9=WHT
  - x5=GRN    x10=TAN

Fig. 38 - Electrical Schematic, *ec-H2O* Model (S/N 10419534- )

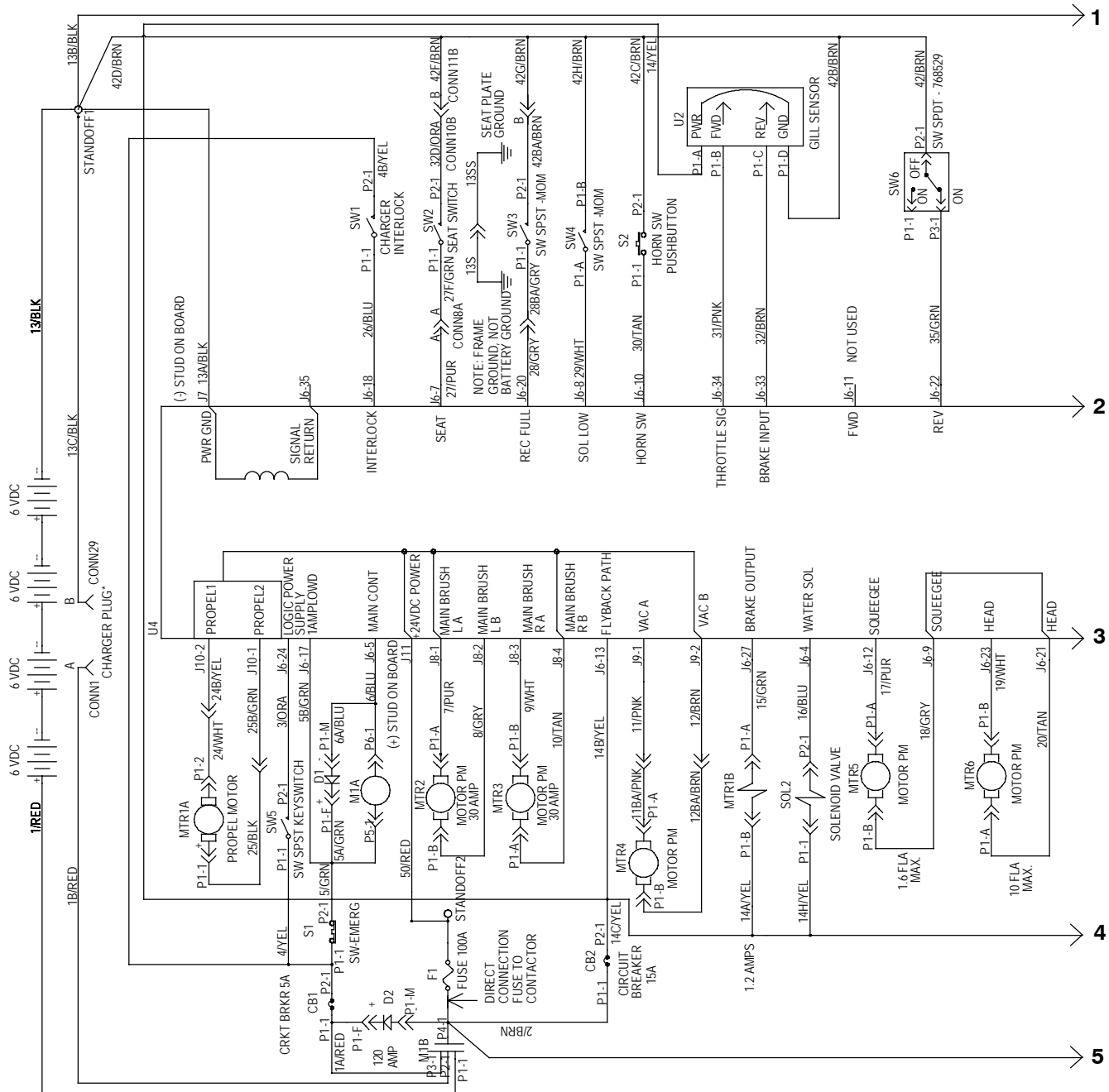
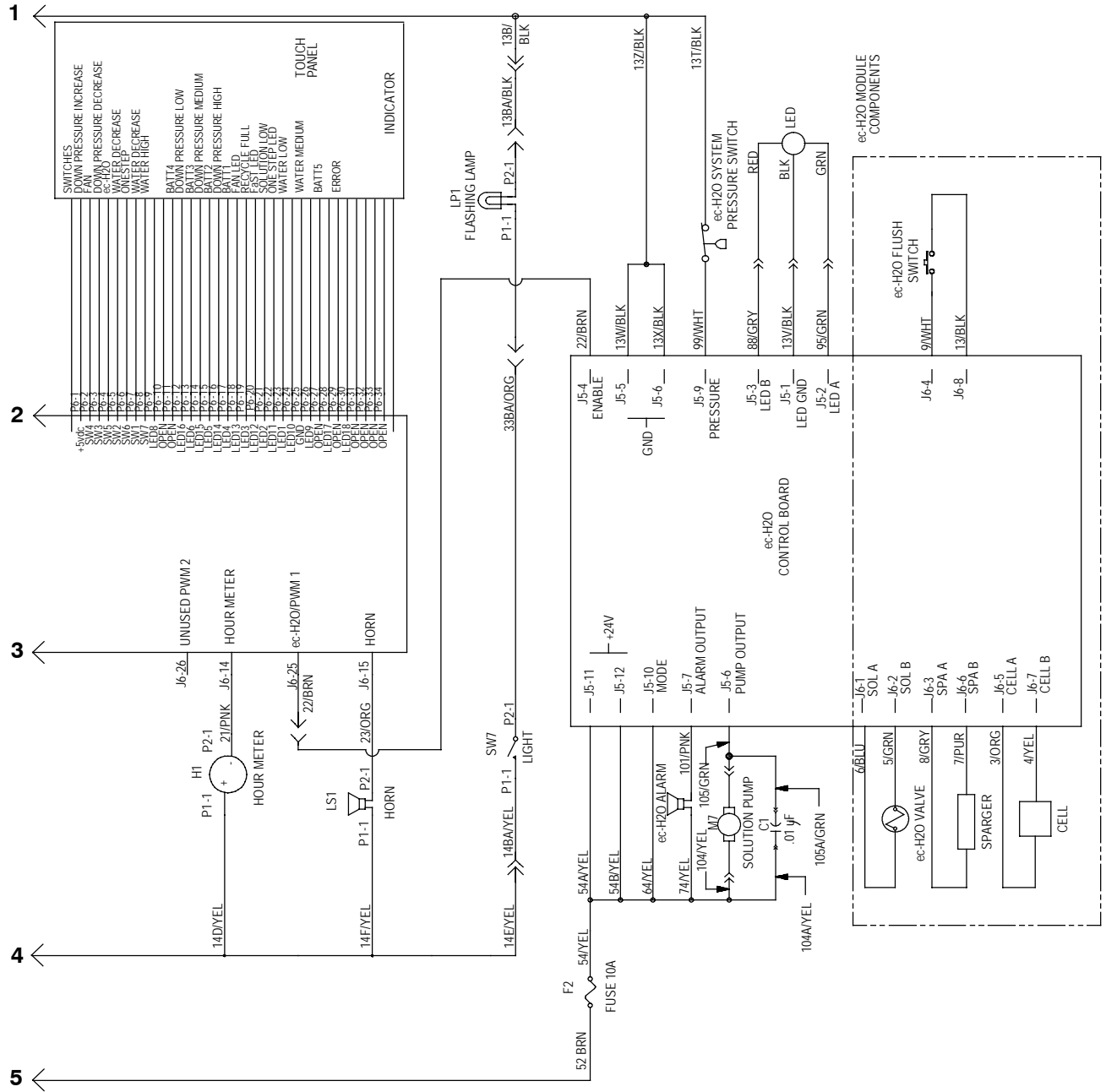
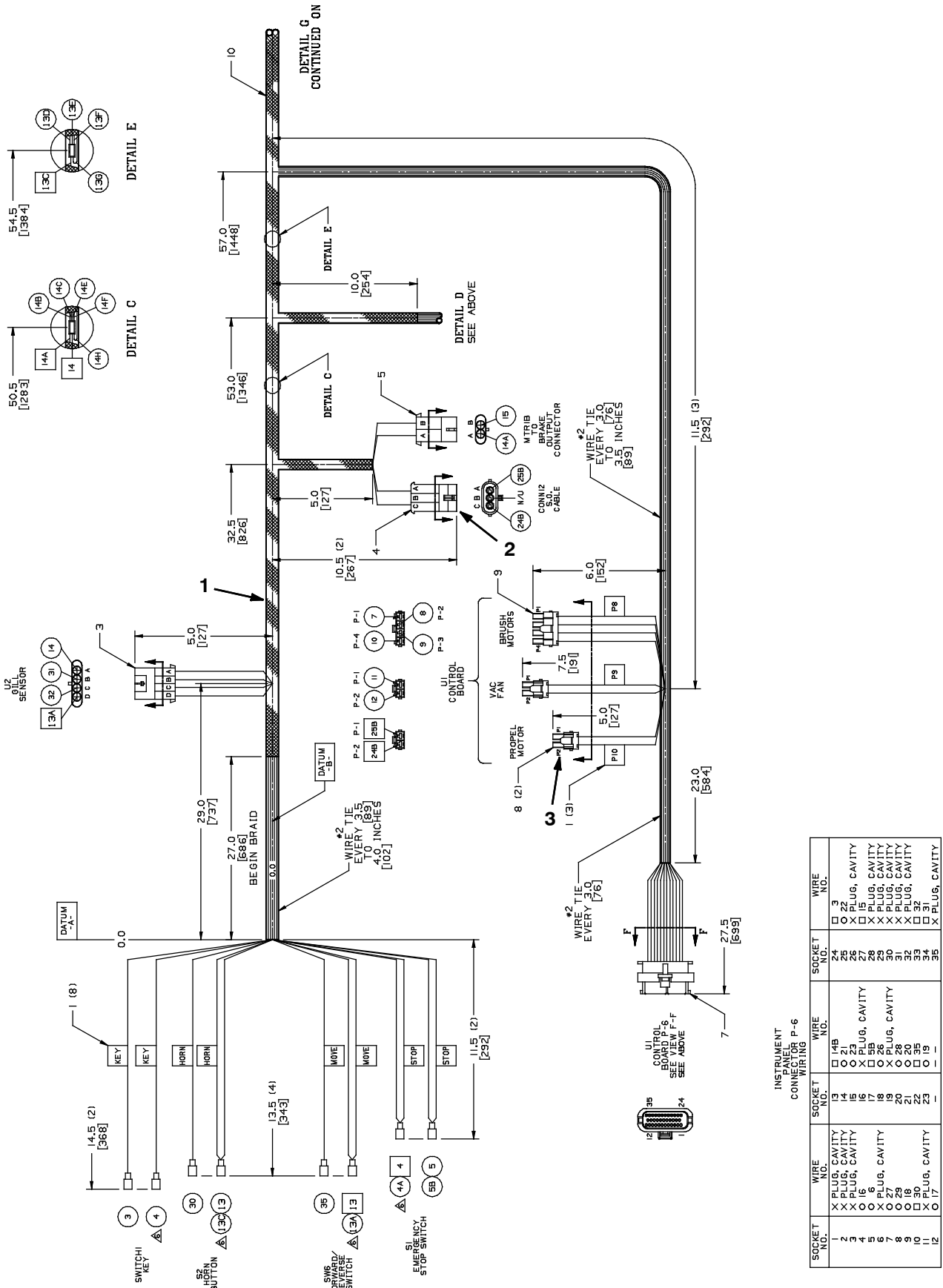




Fig. 38 - Electrical Schematic, ec-H2O Model (S/N 10419534- )



**Fig. 39 - Wire Harnesses Group, Main (S/N 10426043-** )



INSTRUMENT PANEL WIRING P-6

| SOCKET NO. | WIRE NO.          | SOCKET NO. | WIRE NO.       |
|------------|-------------------|------------|----------------|
| 1          | X PLUG, CAVITY 13 | 24         | 3              |
| 2          | X PLUG, CAVITY 14 | 25         | □ 22UG, CAVITY |
| 3          | X PLUG, CAVITY 15 | 26         | X 16, CAVITY   |
| 4          | 0 16              | 27         | □ 15           |
| 5          | 0 6               | 28         | X PLUG, CAVITY |
| 6          | X PLUG, CAVITY 17 | 29         | □ 26UG, CAVITY |
| 7          | 0 52              | 30         | X PLUG, CAVITY |
| 8          | 0 18              | 31         | X PLUG, CAVITY |
| 9          | 0 20              | 32         | X PLUG, CAVITY |
| 10         | □ 30              | 33         | □ 32           |
| 11         | □ 17              | 34         | □ 19           |
| 12         | 0 17              | 35         | X PLUG, CAVITY |

VIEW F-F

Fig. 39 - Wire Harness Group, Main (S/N 10426043- )

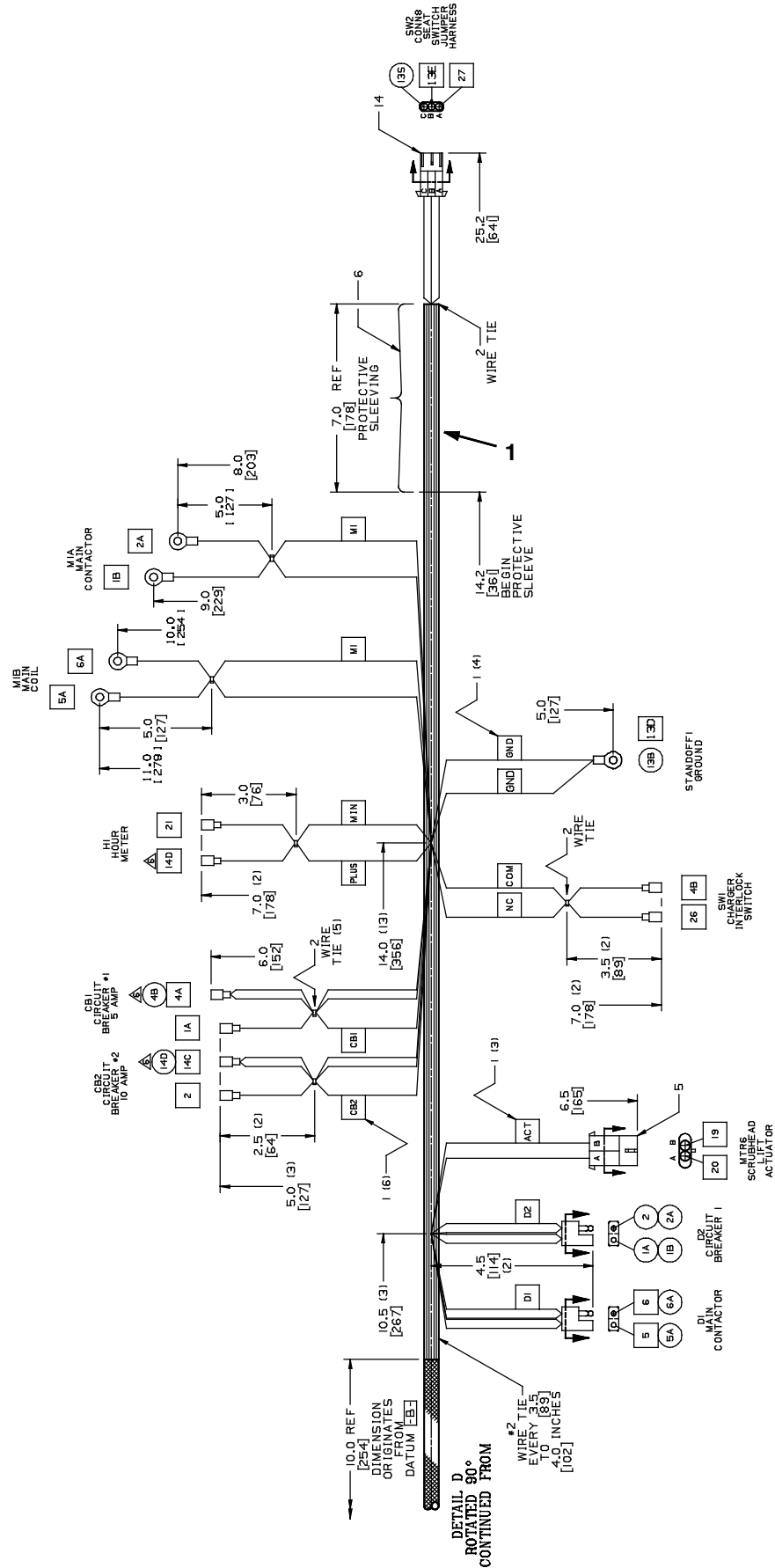
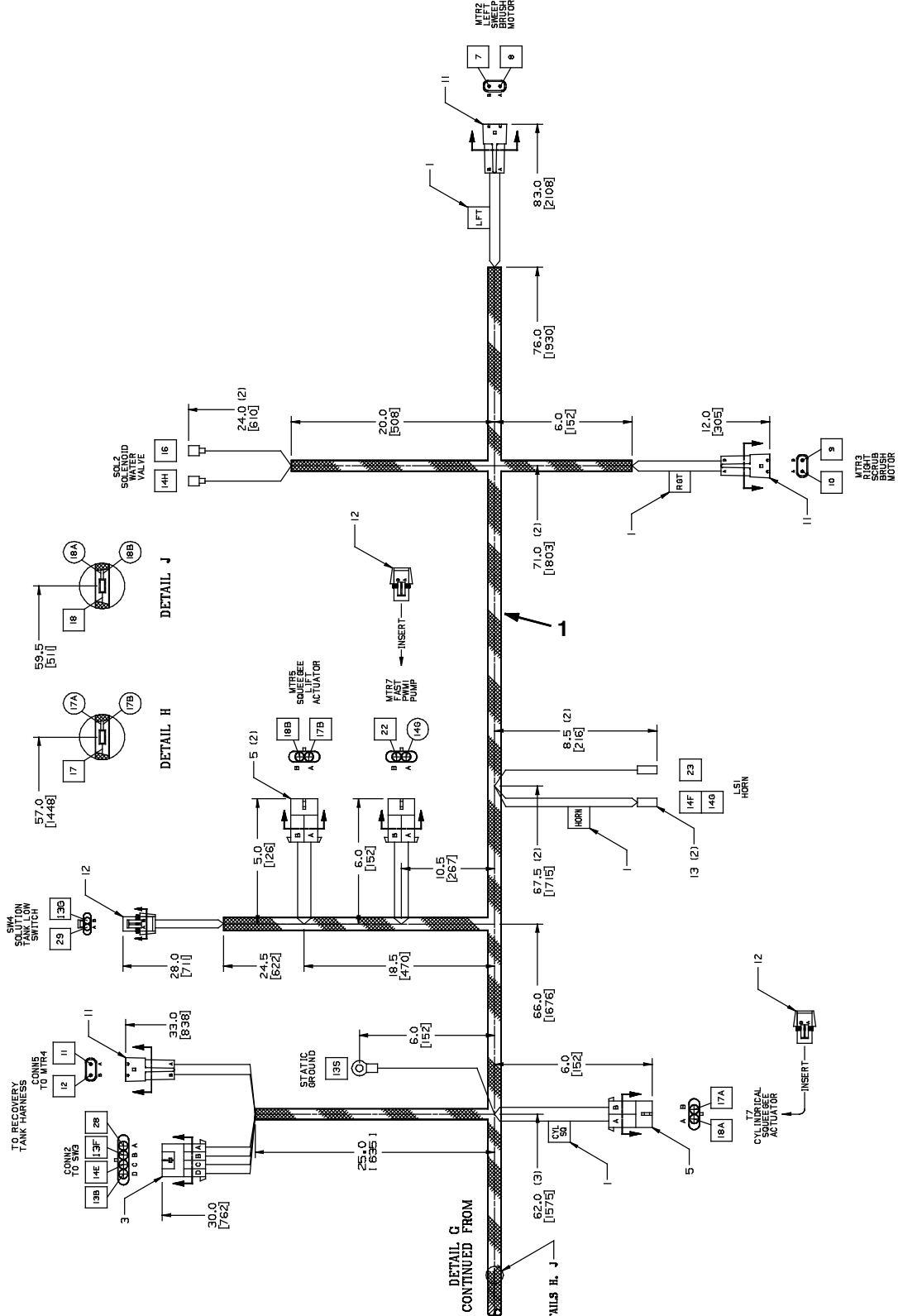


Fig. 39 - Wire Harnesses Group, Main (S/N 10426043- )



1052906

| Ref. | Part No.  | Description                           | Qty. |
|------|-----------|---------------------------------------|------|
| ▽    | 1 1052906 | 1 Harness, Main [T7]                  | 1    |
| ▲    | 2 1047189 | Connector, Mal, 3 Cav [Mp630]         | 1    |
| ▲    | 3 1013835 | Connector Body, Fem, 2 Recept.[Molex] | 1    |

1 Serial number (10426043- )

Fig. 40 - Wire Harness Group, Main (S/N 10236152-10426042)

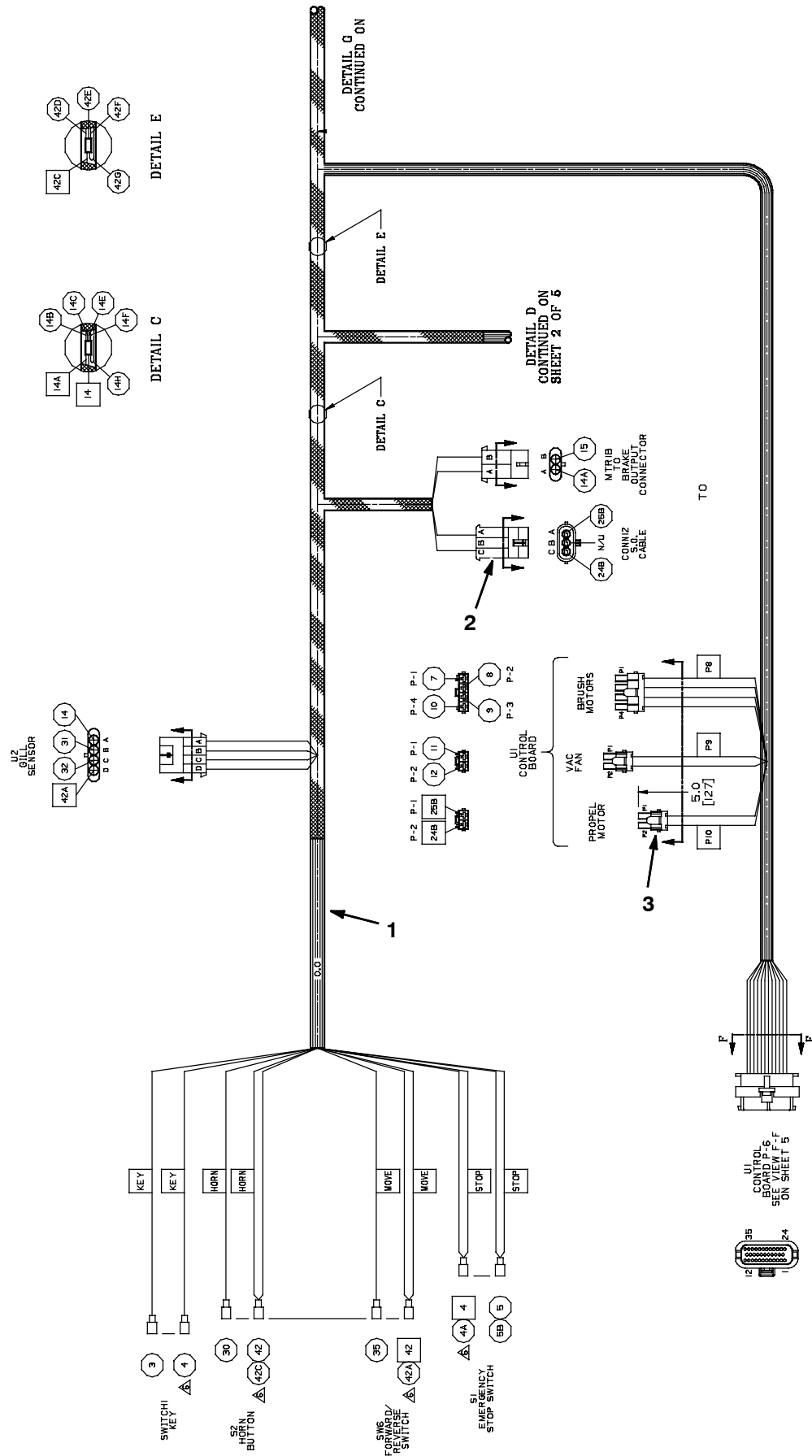


Fig. 40 - Wire Harness Group, Main (S/N 10236152-10426042)

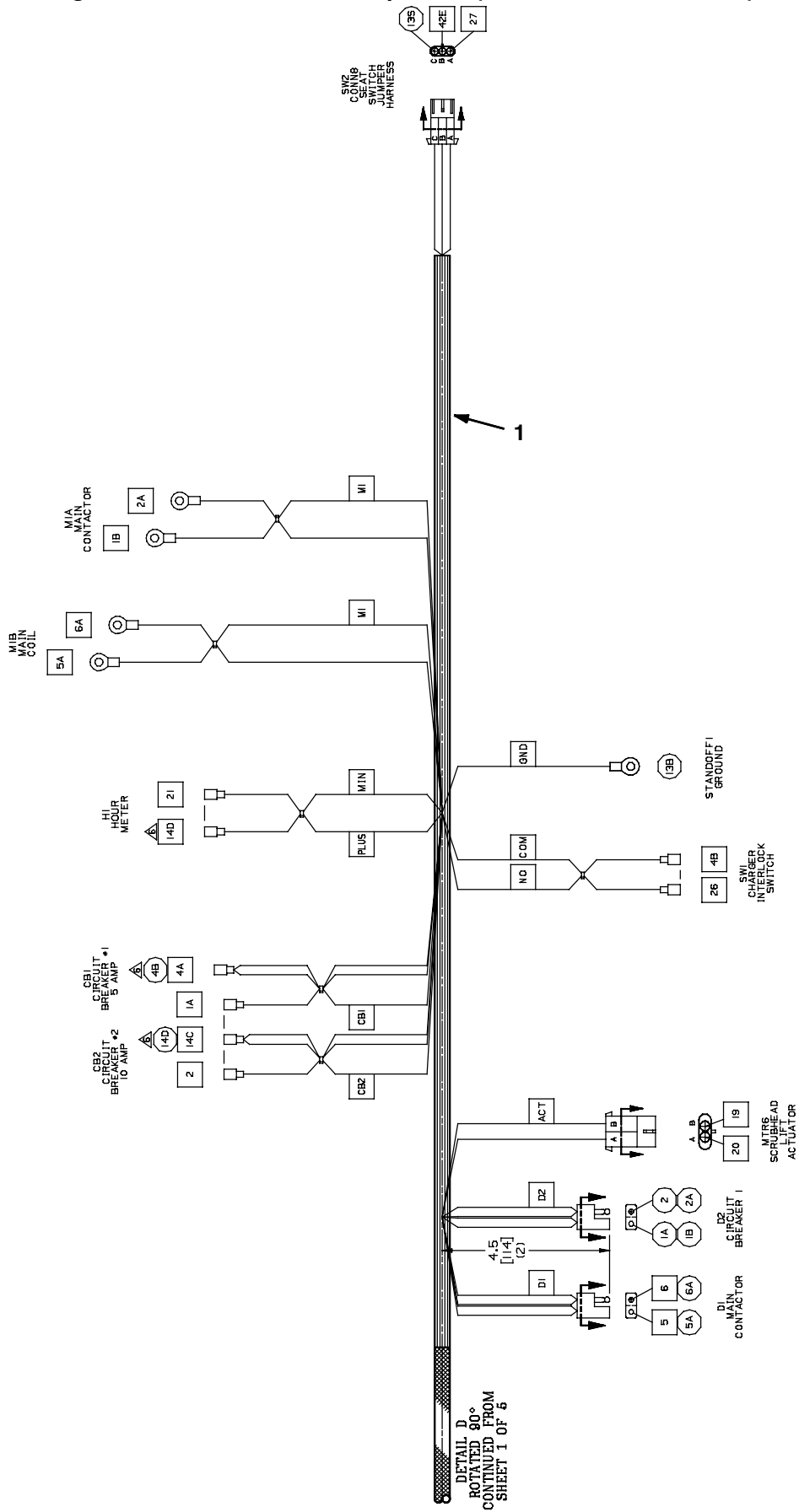
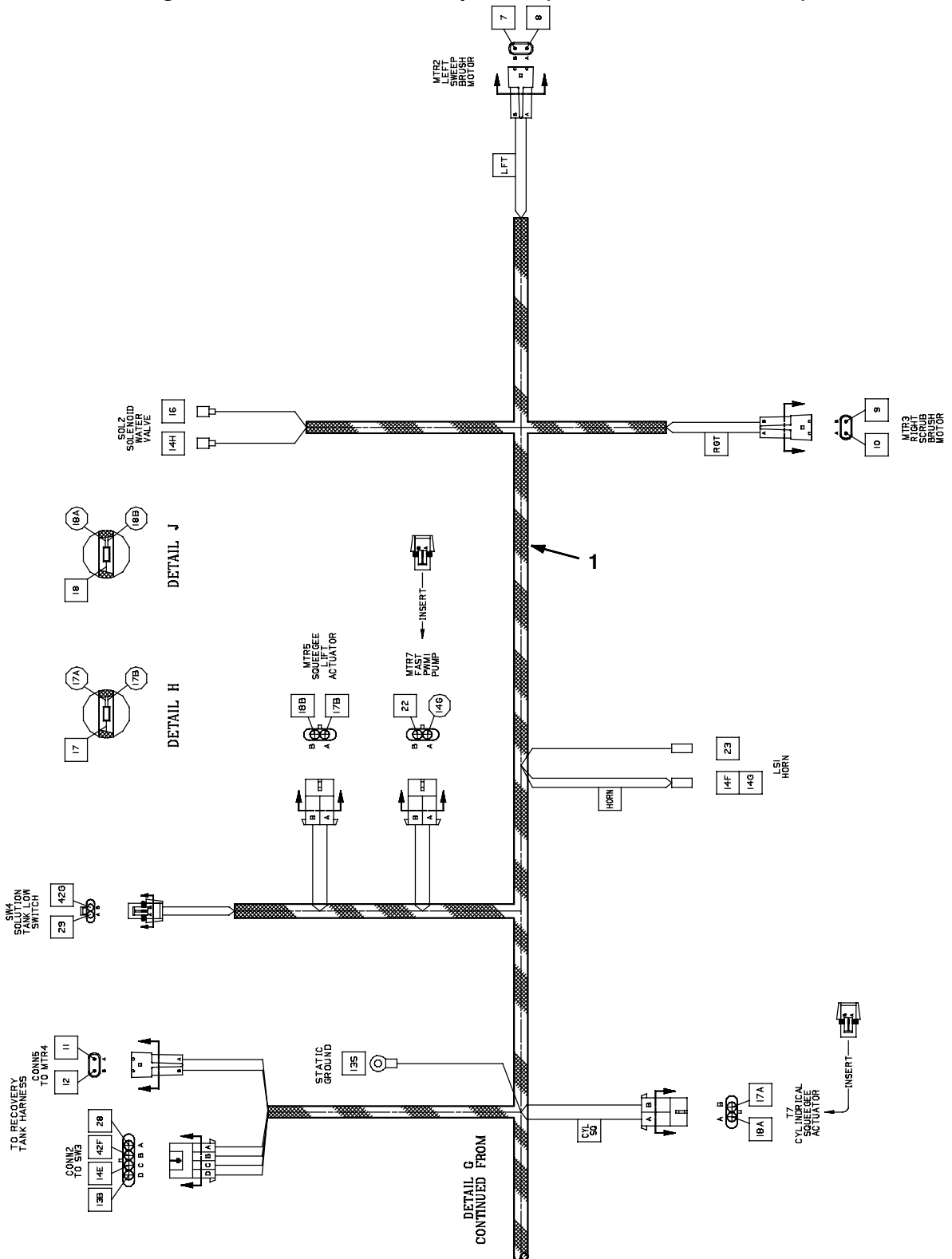


Fig. 40 - Wire Harnesses Group, Main (S/N 10236152-10426042)



| Ref. | Part No.  | Description                           | Qty. |
|------|-----------|---------------------------------------|------|
| ▽    | 1 391991  | [1] Harness, Main, Disk / Cylrc1 [T7] | 1    |
| ▲    | 2 1047189 | Connector, Mal, 3 Cav [Mp630]         | 1    |
| ▲    | 3 1013835 | Connector Body, Fem, 2 Recept.[Molex] | 1    |

[1] Serial number (10236152-10426042)

Fig. 41 - Wire Harness Group, Main (S/N 0000000-10236151)

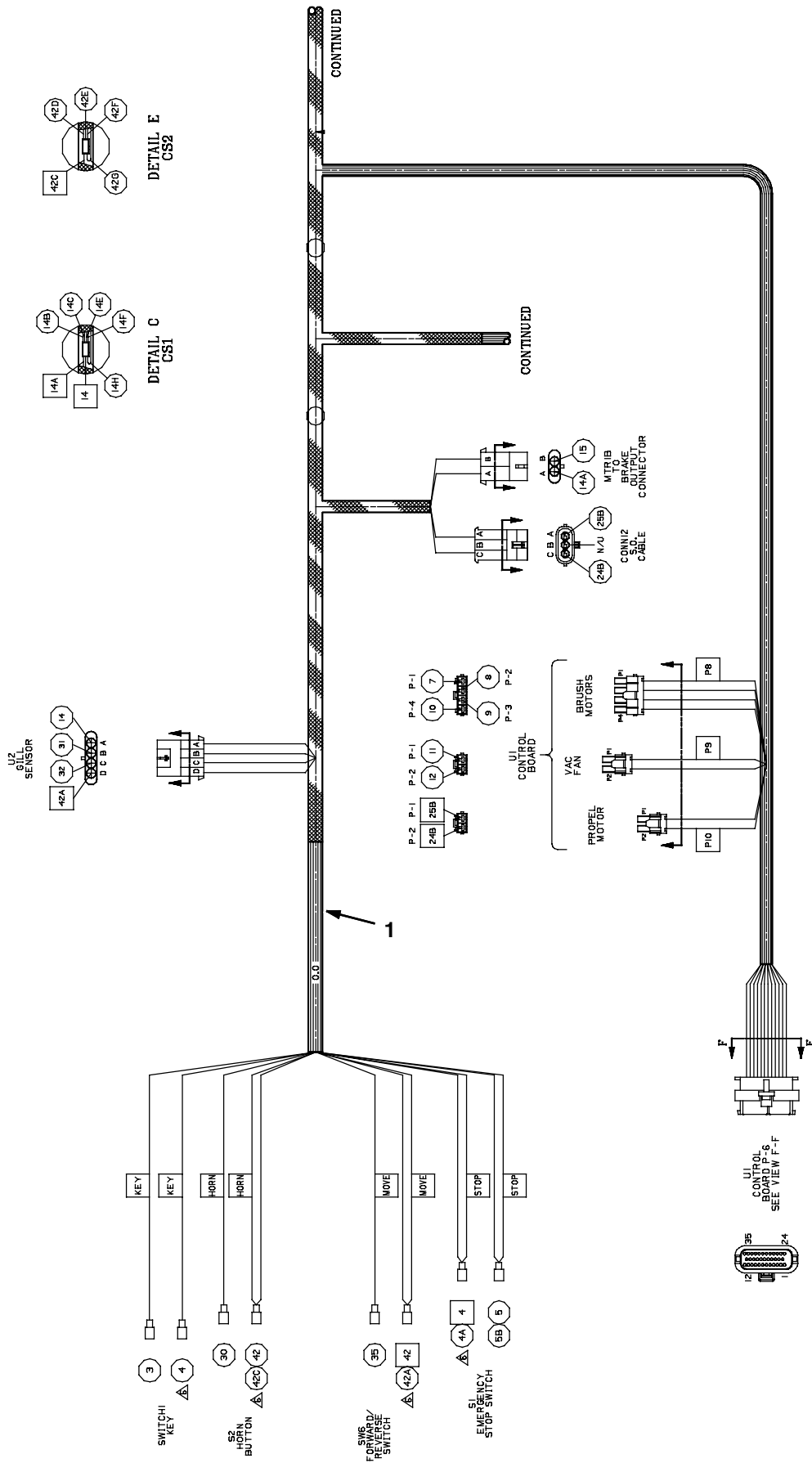
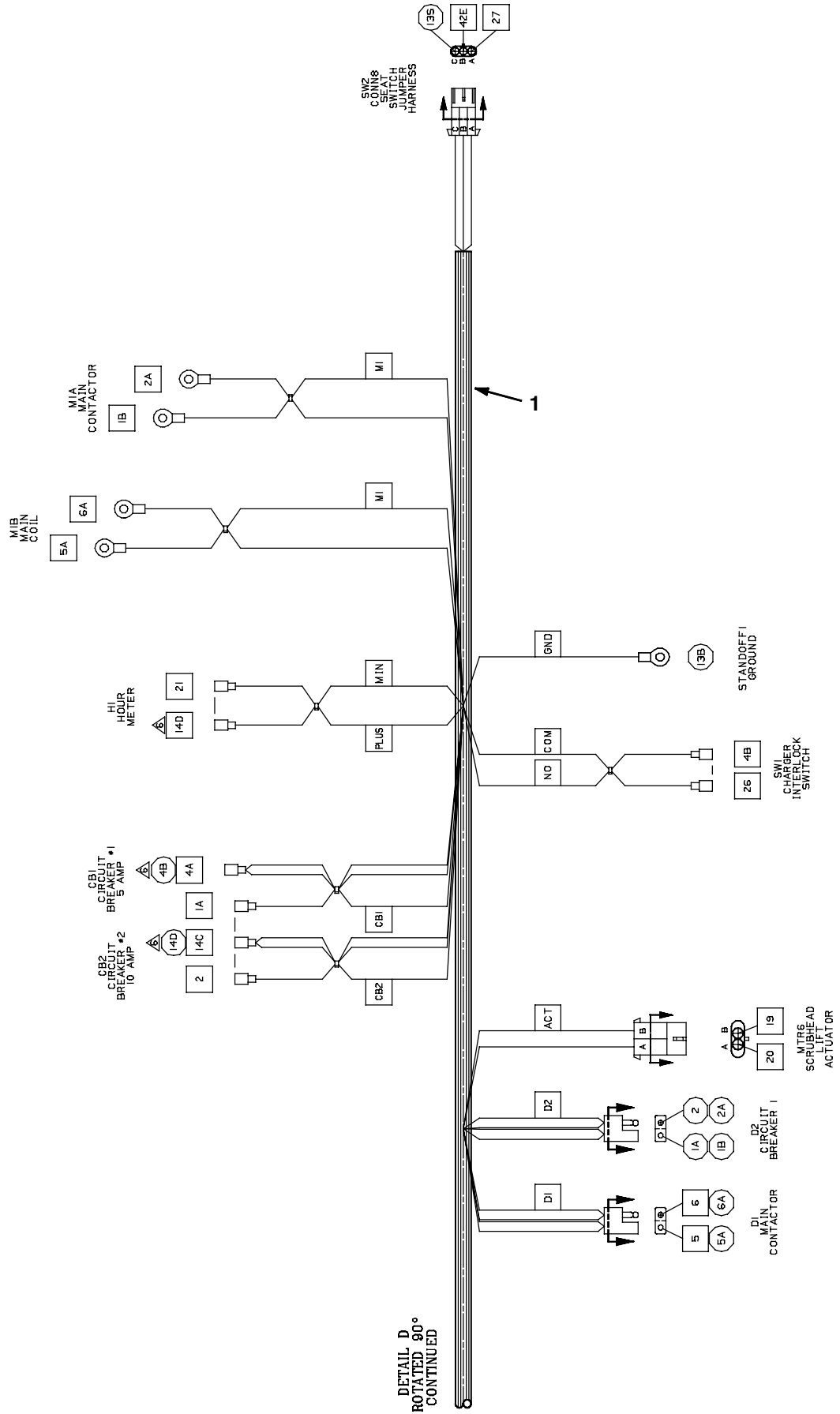


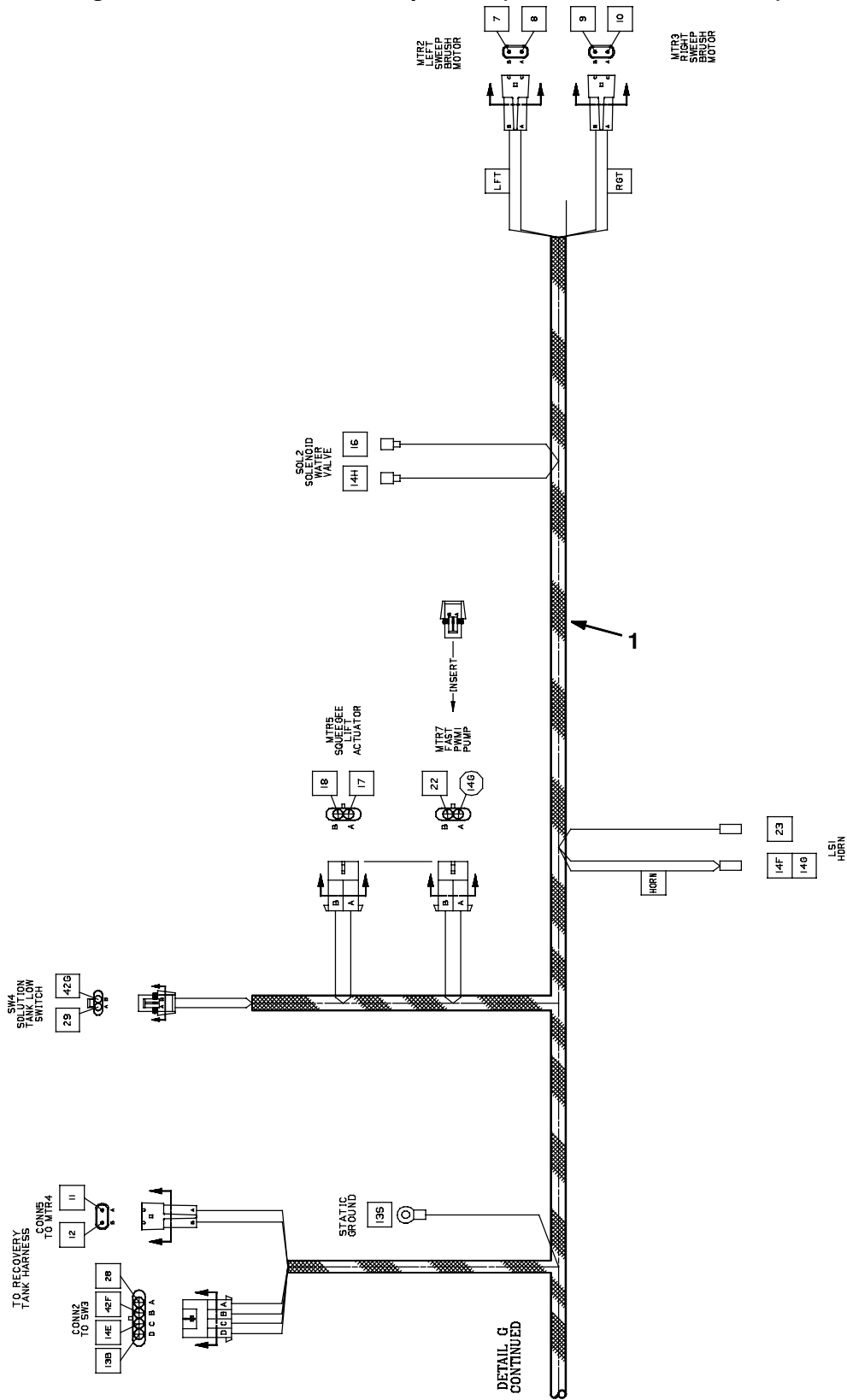


Fig. 41 - Wire Harness Group, Main (S/N 0000000-10236151)



# STANDARD PARTS

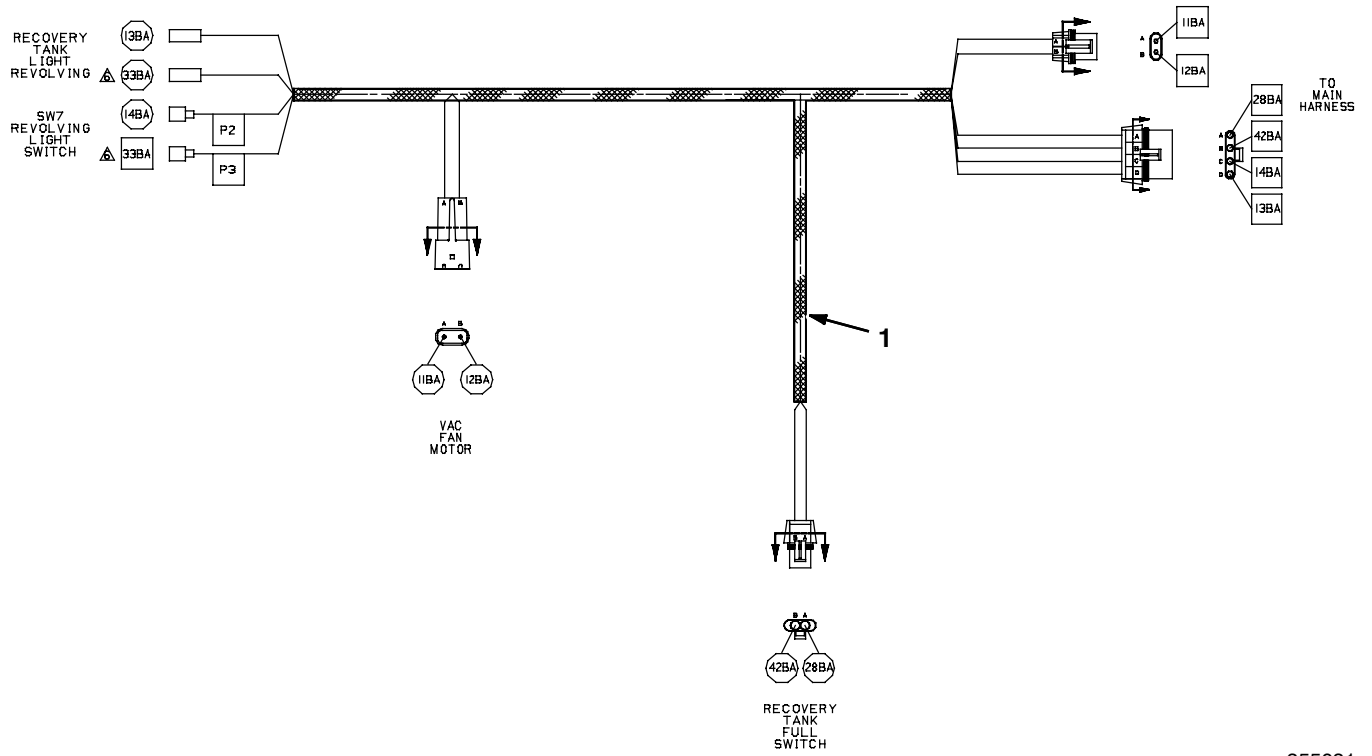
Fig. 41 - Wire Harnesses Group, Main (S/N 0000000-10236151)



| Ref. | Part No. | Description  | Qty. |
|------|----------|--|------|
| 1    | 391950   | [1] Harness, Main, [ T7/SSR ] (Replaced by Kit #9001454) | 1    |

[1] Serial number (00000000-10236151)

Fig. 42 - Wire Harnesses Group, Tank

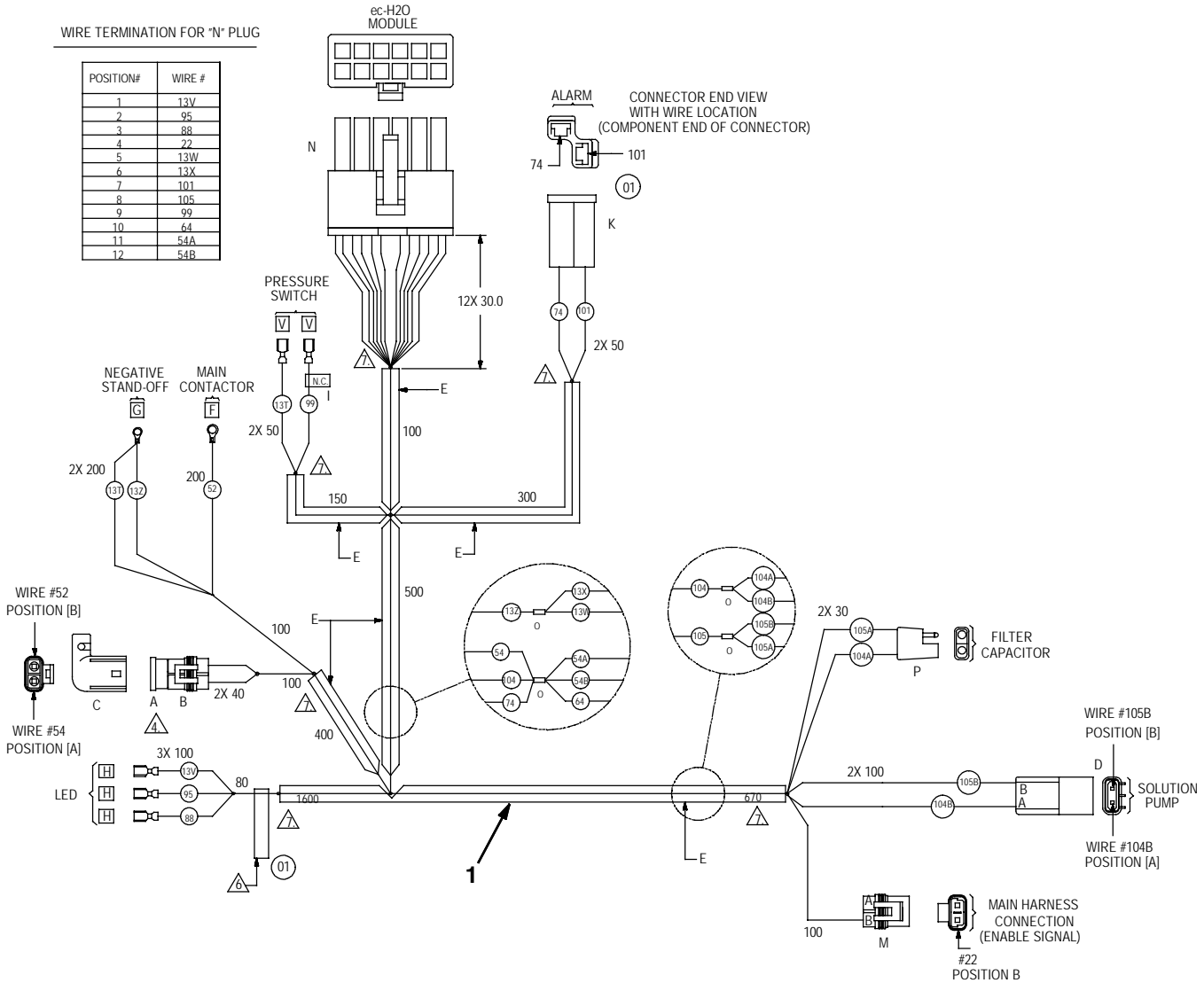


355031

| Ref. | Part No. | Description         | Qty. |
|------|----------|---------------------|------|
| 1    | 391913   | Harness, Tank, [T7] | 1    |

# STANDARD PARTS

Fig. 43 - Wire Harnesses Group, *ec-H2O* Option (S/N 10419534- )

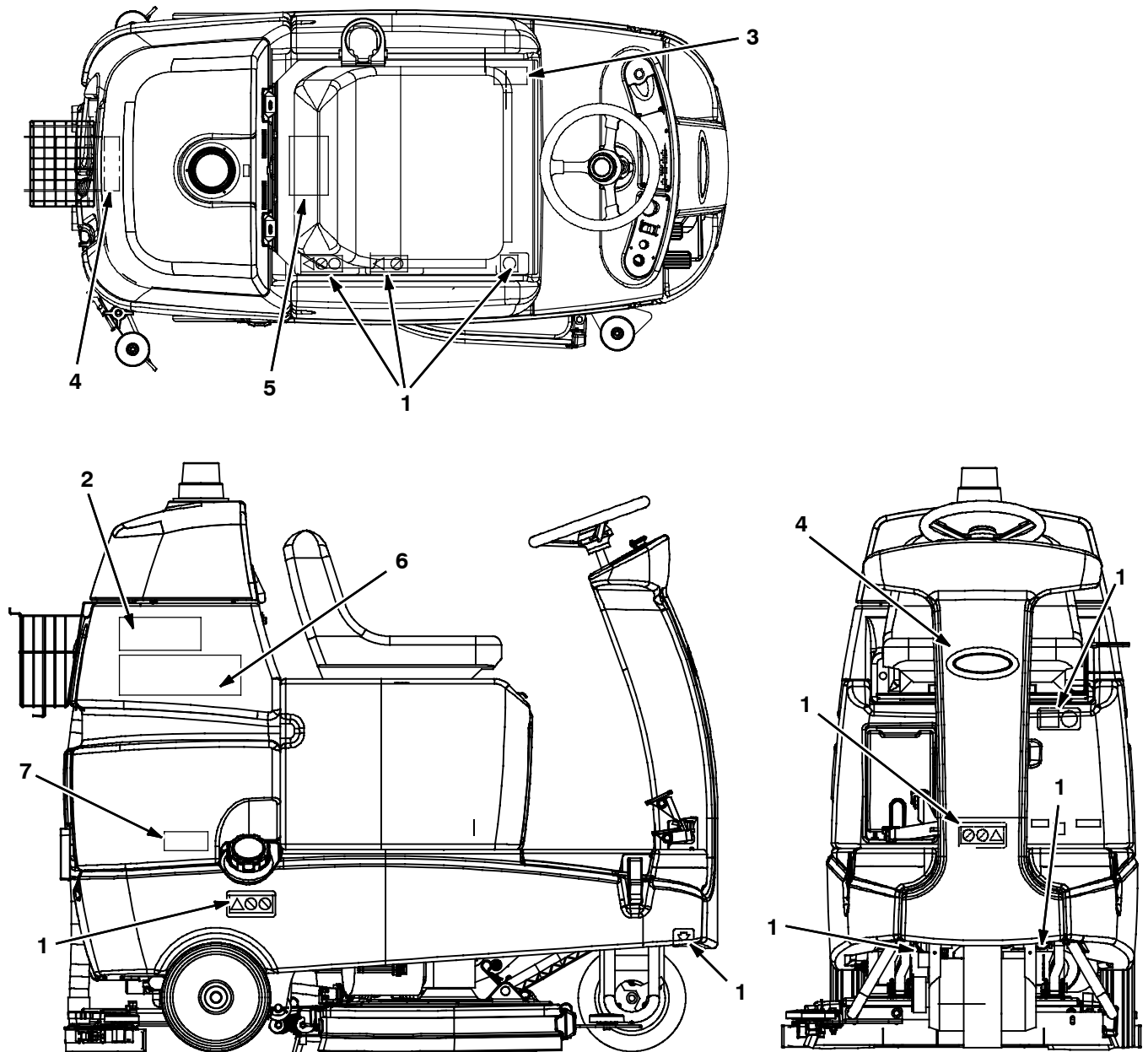


1050394

| Ref. | Part No. | Description                        | Qty. |
|------|----------|------------------------------------|------|
| 1    | 1050394  | [1] Harness Assy, Wire [T7 Ec-H2o] | 1    |

[1] Serial number (10419534- )

Fig. 44 - Label Group



355032

| Ref. | Part No. | Description                              | Qty. |
|------|----------|--|------|
| 1    | 1015167  | Label Set, Info/Hzrd                     | 1    |
| 2    | 1064992  | Label, Model [Spd Scrub Rider]           | 2    |
| 3    | 1015012  | Label [Nfsi Certification]               | 1    |
| 4    | 1034637  | Label, Front, 3.50 [Nobles Icon]         | 2    |
| 5    | 1026686  | Label, Battery, Diagram [T7 / R14]       | 1    |
| 6    | 1064823  | Label, Logo, 12.3l 4color [Ech2o Nobles] | 2    |
| 6    | 1064994  | Label, Logo, 06.1l Dk Gr [Fast]          | 2    |
| 7    | 1050003  | Label [User, Attention, Ec-H2o]          | 1    |
| 7    | 391451   | Label [Attention Fast Users, 5400s]      | 1    |



# SECTION 3

| <b>Contents</b>  | <b>Page</b> |
|--|-------------|
| Fig. 1 - FaST Group, Disk Scrub Head . . . . .               | 3-2         |
| Fig. 2 - FaST Group, Cylindrical Scrub Head . .              | 3-4         |
| Fig. 3 - <i>ec-H2O</i> Group, Disk Scrub Head . . . . .      | 3-6         |
| Fig. 4 - <i>ec-H2O</i> Group, Cylindrical Scrub Head         | 3-8         |
| Fig. 5 - Flashing Light Kit . . . . .                        | 3-10        |
| Fig. 6 - Battery Group, 180Ah,<br>Maintenance Free . . . . . | 3-11        |
| Fig. 7 - Battery Group, 220Ah,<br>Maintenance Free . . . . . | 3-12        |
| Fig. 8 - Battery Group, 335Ah . . . . .                      | 3-13        |
| Fig. 9 - Battery Charger Kit, On-Board . . . . .             | 3-14        |
| Fig. 10 - Battery Chargers Group . . . . .                   | 3-16        |
| Fig. 11 - Basket Kit . . . . .                               | 3-17        |
| Fig. 12 - Documentation Group . . . . .                      | 3-18        |

Fig. 45 - FaST Group, Disk Scrub Head

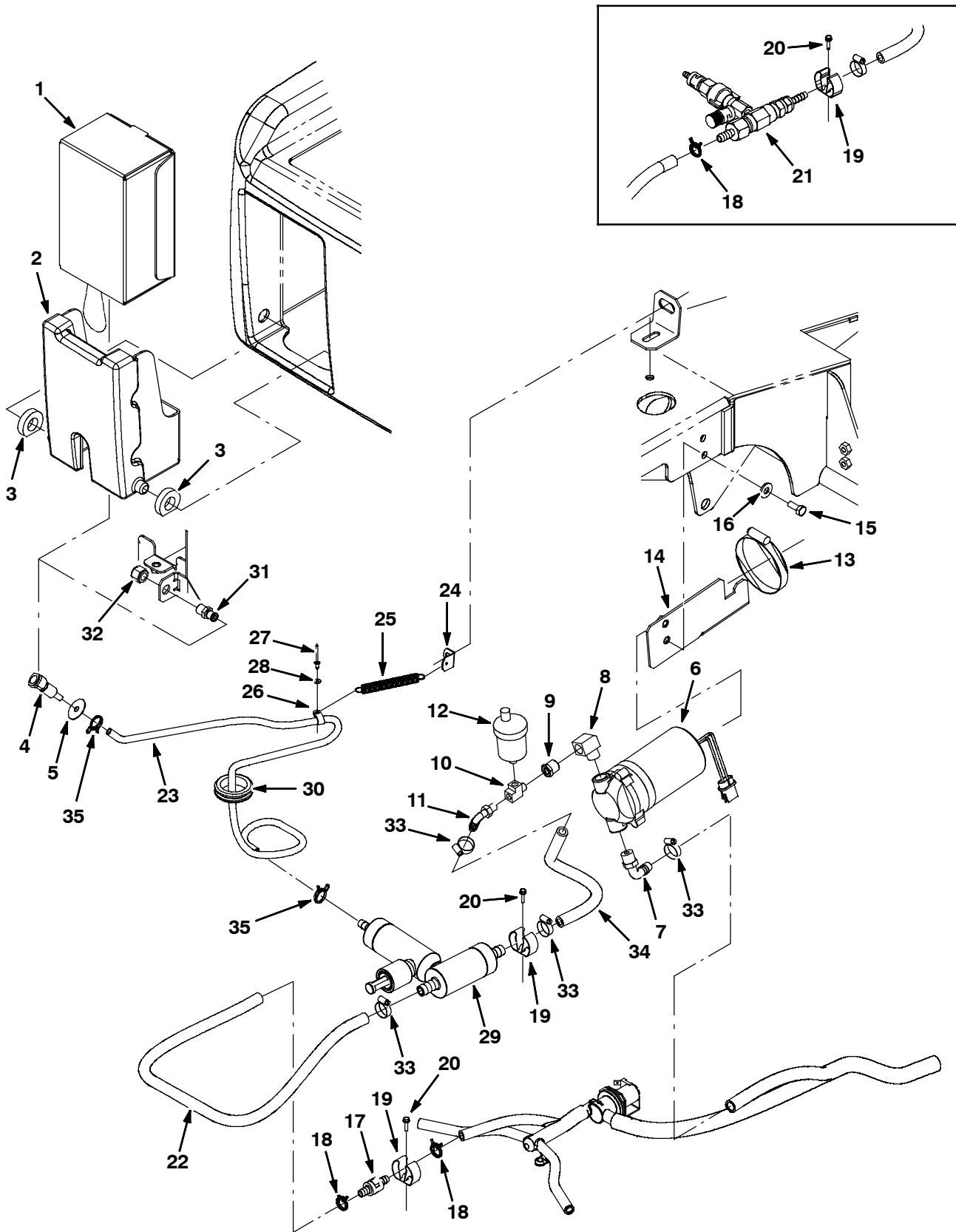




Fig. 45 - FaST Group, Disk Scrub Head

| Ref. | Part No. | Description  | Qty.                    |   |
|------|----------|--|-------------------------|---|
| 1    | 1017019  | Detergent Pkg, 2 Liter, Sgl [Mp]                           | 1                       |   |
| 1    | 1017025  | Fast Mpd 2 Ltr, Detergent                                  | 1                       |   |
| 2    | 1014169  | Box, Holder [Fast Trimmed]                                 | 1                       |   |
| 3    | 1016553  | Seal, Rbr  | 2                       |   |
| 4    | 1006204  | Coupling, Fem, W/ Valve, .25 Brb, Nobles                   | 1                       |   |
| 5    | 30013    | Washer, Flat, 0.31 Fender                                  | 1                       |   |
| ▽    | 6        | 1014282  | Pump, Soltn, Ele, 24vdc | 1 |
| ▲    |          | 9001240  | Pump Kit, Head, Soltn   | 1 |
| 7    | 64778    | Fitting, Plstc, E90, Bm08/Pm06                             | 1                       |   |
| 8    | 24584    | Fitting, Brs, E90, Pm06/Pf06 Special                       | 1                       |   |
| 9    | 24698    | Fitting, Brs, Str, Pf02/Pm06                               | 1                       |   |
| 10   | 26426    | Fitting, Brs, Tee, Pf02/Pm02/Pm02                          | 1                       |   |
| 11   | 1005564  | Fitting, Plstc, E90, Bm06/Pm02, Nyl                        | 1                       |   |
| 12   | 1017386  | Valve, Air Vent, Float Type                                | 1                       |   |
| 13   | 43555    | Clamp, Hose, Wormdrive, 1.62-3.50d, .56w                   | 1                       |   |
| 14   | 1014617  | Bracket, Pump, Soltn                                       | 1                       |   |
| 15   | 09740    | Screw, Hex, M8 X 1.25 X 20, Ss                             | 2                       |   |
| 16   | 01685    | Washer, Flat, 0.31 Ss                                      | 2                       |   |
| 17   | 1015455  | ① Valve, Check, Bm06/Bm06, 5psi                            | 1                       |   |
| 17   | 1040501  | ② Valve, Check, 0015Psi Bm06/Bm06                          | 1                       |   |
| 18   | 607775   | ① Clamp, Hose, Wire, .63 - .66, Blk                        | 3                       |   |
| 18   | 607775   | ② Clamp, Hose, Wire, .63 - .66, Blk                        | 2                       |   |
| 19   | 1014295  | ① Clip, Spring Holder Blk Vinyl Coat                       | 1                       |   |
| 19   | 573073   | ② Clip, Grip, Hose, 1.00-1.38, Zn                          | 1                       |   |
| 20   | 1016520  | Screw, Hex, M4 X 0.7 16 Fmg, Ss                            | 2                       |   |
| 21   | 9003005  | ① Fast Kit, Ci, Injector [T7/Ssr Fast li+] (See Breakdown) | 1                       |   |
| 22   | 1006400  | Hose, Afmkt, Pvc, Brd 0.38id 3ft                           | 1                       |   |
| 23   | 1006415  | Hose, Afmkt, Pvc, Clr 0.25id 3ft                           | 1                       |   |
| 24   | 18188    | Bracket, Spring  | 1                       |   |
| 25   | 1018504  | Spring, Extn, 0.50od X 0.04wir, 4.0l                       | 1                       |   |
| 26   | 26395-2  | Clamp, Cable, Stl, 0.38d X 0.38w, 1h                       | 1                       |   |
| 27   | 56799    | Rivet, Blind, .125d X 0.38 X .25d, Alm                     | 1                       |   |
| 28   | 02892    | Washer, Flat, 0.12b 0.38d .03, Stl, Pl                     | 1                       |   |
| 29   | 9003909  | ② Fast Kit, Injector, Ci [T7/Ssr Fast li+] (See Breakdown) | 1                       |   |
| 30   | 10632-13 | Grommet, Rbr, 1.50id, F/ 1.8h, .19matl                     | 1                       |   |
| 31   | 1002899  | Fitting, Plstc, Str, Pm04, Cplg, Mal                       | 1                       |   |
| 32   | 1005435  | Fitting, Plstc, Pipe, Cap, Pf04                            | 1                       |   |
| 33   | 54333    | ① Clamp, Hose, Wormdrive, 0.31-0.88d, .31w                 | 3                       |   |
| 33   | 54333    | ② Clamp, Hose, Wormdrive, 0.31-0.88d, .31w                 | 4                       |   |
| 34   | 1014974  | Hose, Afmkt, Pvc, Brd 0.38id 2ft                           | 1                       |   |
| 35   | 613735   | Clamp, Hose, Wir, .40 - .42, Yel                           | 2                       |   |

① Serial number (00000000-10337089)

② Serial number (10337090- )

Fig. 46 - FaST Group, Cylindrical Scrub Head

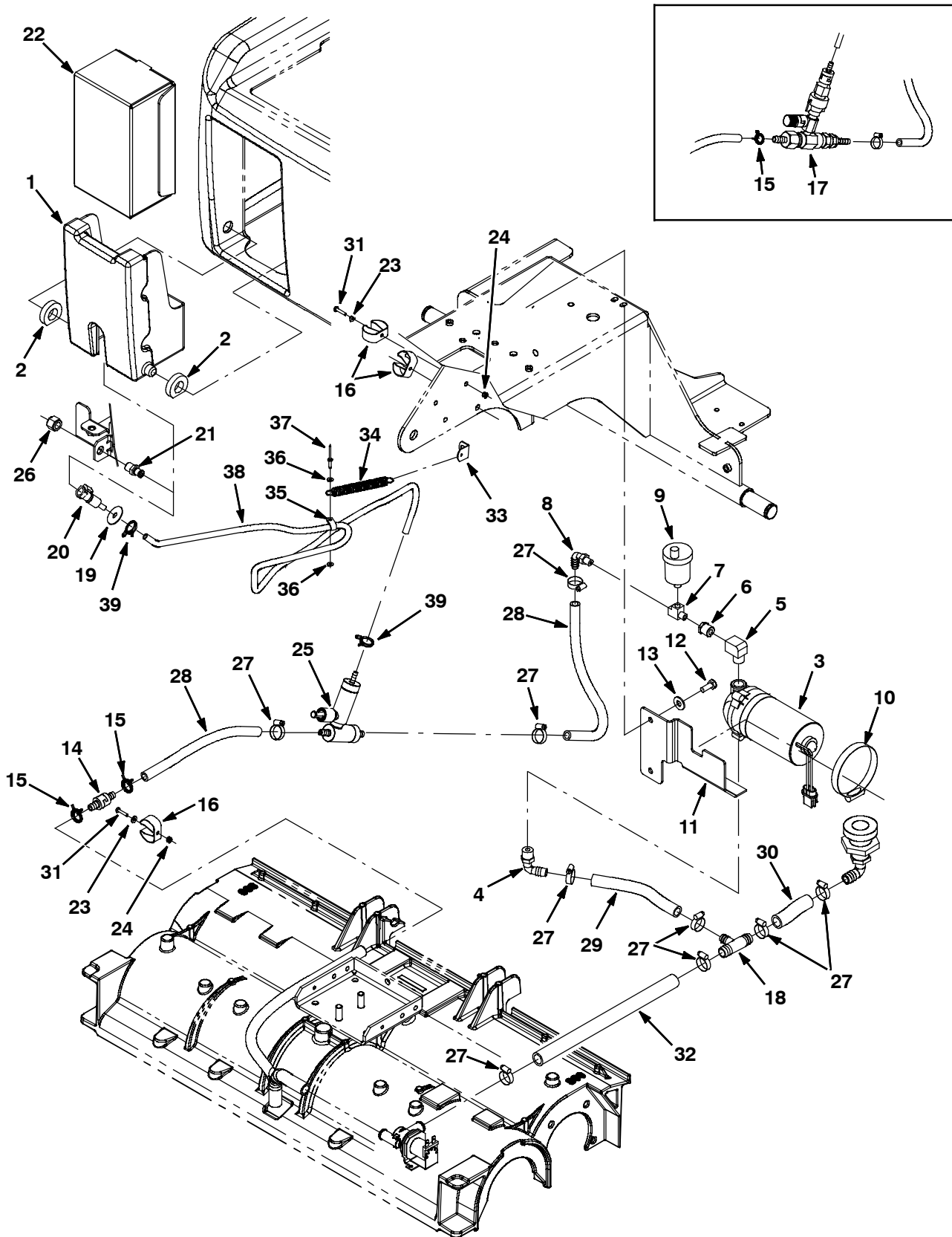


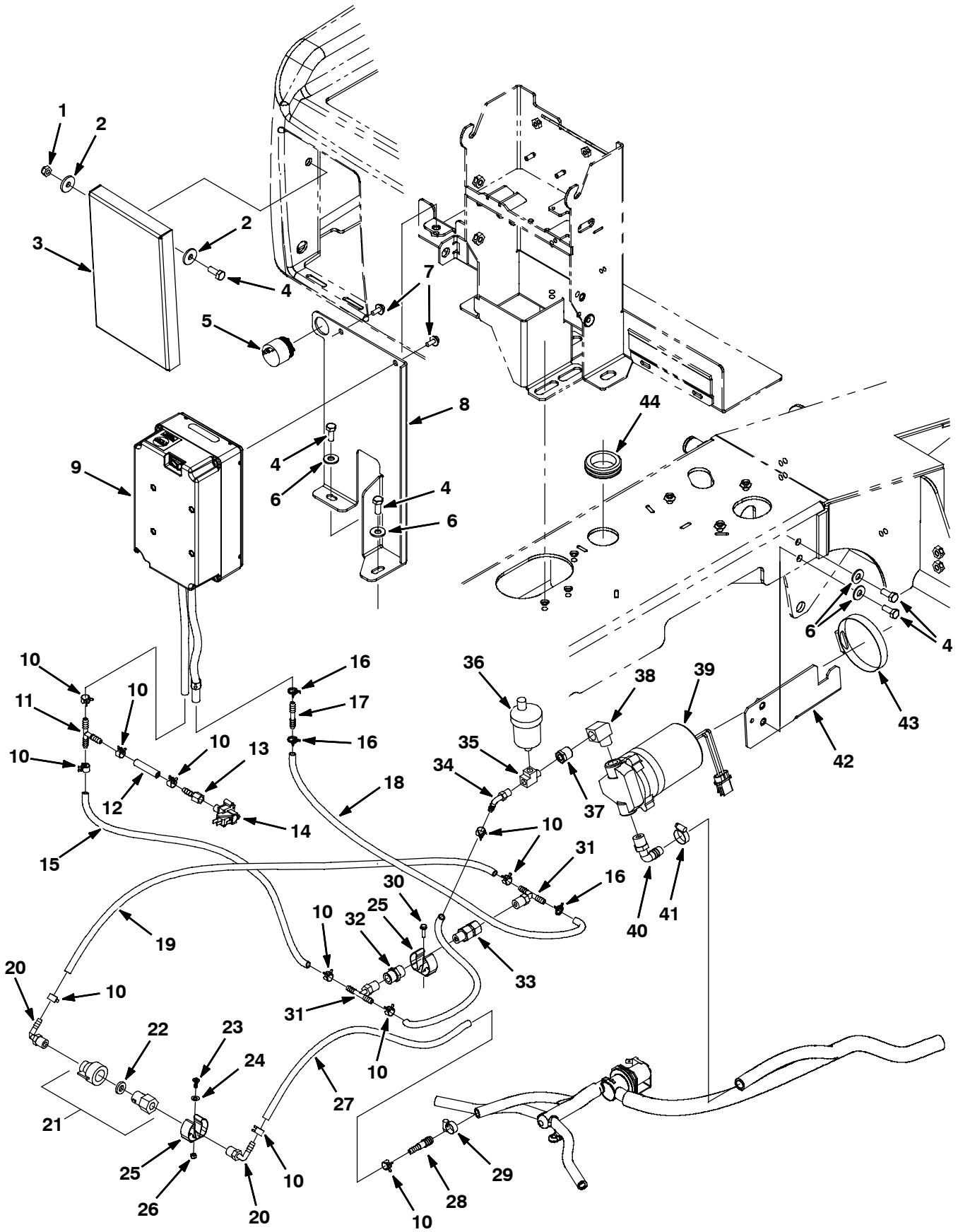
Fig. 46 - FaST Group, Cylindrical Scrub Head

| Ref. | Part No. | Description  | Qty.                    |   |
|------|----------|--|-------------------------|---|
| 1    | 1014169  | Box, Holder [Fast Trimmed]                                 | 1                       |   |
| 2    | 1016553  | Seal, Rbr  | 2                       |   |
| ▽    | 3        | 1014282  | Pump, Soltn, Ele, 24vdc | 1 |
| ▲    | 9001240  | Pump Kit, Head, Soltn                                      | 1                       |   |
| 4    | 64778    | Fitting, Plstc, E90, Bm08/Pm06                             | 1                       |   |
| 5    | 24584    | Fitting, Brs, E90, Pm06/Pf06 Special                       | 1                       |   |
| 6    | 24698    | Fitting, Brs, Str, Pf02/Pm06                               | 1                       |   |
| 7    | 26426    | Fitting, Brs, Tee, Pf02/Pm02/Pm02                          | 1                       |   |
| 8    | 1005564  | Fitting, Plstc, E90, Bm06/Pm02, Nyl                        | 1                       |   |
| 9    | 1017386  | Valve, Air Vent, Float Type                                | 1                       |   |
| 10   | 43555    | Clamp, Hose, Wormdrive, 1.62-3.50d, .56w                   | 1                       |   |
| 11   | 1029095  | Bracket, Pump, Solution                                    | 1                       |   |
| 12   | 09740    | Screw, Hex, M8 X 1.25 X 20, Ss                             | 2                       |   |
| 13   | 01685    | Washer, Flat, 0.31, Ss                                     | 2                       |   |
| 14   | 1015455  | ① Valve, Check, 0005psi Bm06/Bm06                          | 1                       |   |
| 14   | 1040501  | ② Valve, Check, 0015Psi Bm06/Bm06                          | 1                       |   |
| 15   | 607775   | ① Clamp, Hose, Wir, .63 - .66, Blk                         | 3                       |   |
| 15   | 607775   | ② Clamp, Hose, Wir, .63 - .66, Blk                         | 2                       |   |
| 16   | 1014295  | ① Clip, Spring, Holder, Blk Vyl                            | 3                       |   |
| 16   | 573073   | ② Clip, Grip, Hose, 1.00-1.38, Zn                          | 3                       |   |
| 17   | 9003005  | ① Fast Kit, Ci, Injector [T7/Ssr Fast li+] (See Breakdown) | 1                       |   |
| 18   | 1015486  | Fitting, Plstc, Tee, Bm08/Bm10/Bm10, Br                    | 1                       |   |
| 19   | 30013    | Washer, Flat, 0.31, Fendr                                  | 1                       |   |
| 20   | 1006204  | Coupling, Fem, W/ Valve, .25 Brb, Nobles                   | 1                       |   |
| 21   | 1002899  | Fitting, Plstc, Str, Pm04, Cplg, Mal                       | 1                       |   |
| 22   | 1017019  | Detergent Pkg, 2 Liter, Sgl [Mp]                           | 1                       |   |
| 22   | 1017025  | Fast Mpd 2 Ltr, Detergent                                  | 1                       |   |
| 23   | 140011   | Washer, Flat, 0.21b 0.45d .03, Ss                          | 3                       |   |
| 24   | 33932    | Nut, Hex, Lock, M4 X 0.70, Nl, Ss                          | 3                       |   |
| 25   | 9003909  | ② Fast Kit, Injector, Ci [T7/Ssr Fast li+] (See Breakdown) | 1                       |   |
| 26   | 1005435  | Fitting, Plstc, Pipe, Cap, Pf04                            | 1                       |   |
| 27   | 54333    | ① Clamp, Hose, Wormdrive, 0.31-0.88d, .31w                 | 8                       |   |
| 27   | 54333    | ② Clamp, Hose, Wormdrive, 0.31-0.88d, .31w                 | 9                       |   |
| 28   | 1014971  | Hose, Afmkt, Pvc, Brd, 0.38id, 01ft, Clr                   | 3                       |   |
| 29   | 1011403  | Hose, Afmkt, Pvc, Brd, 0.50id, 01ft, Clr                   | 1                       |   |
| 30   | 1015033  | Hose, Afmkt, Pvc, Brd 0.62id 01ft                          | 1                       |   |
| 31   | 607006   | Screw, Trs, M4 X 0.70 X 12, Phl, Pl                        | 3                       |   |
| 32   | 1015026  | Hose, Afmkt, Pvc, Brd 0.62id 03ft                          | 1                       |   |
| 33   | 18188    | Bracket, Spring  | 1                       |   |
| 34   | 1018504  | Spring, Extn, 0.50od X 0.04wir, 4.0l                       | 1                       |   |
| 35   | 26395-2  | Clamp, Cable, Stl, 0.38d X 0.38w, 1h                       | 1                       |   |
| 36   | 02892    | Washer, Flat, 0.12b 0.38d .03, Stl, Pl                     | 2                       |   |
| 37   | 1021677  | Rivet, Blind, .154d X 0.55 X .38d, Ss                      | 1                       |   |
| 38   | 1014985  | Hose, Afmkt, Pvc, Clr 0.25id 08ft                          | 1                       |   |
| 39   | 613735   | Clamp, Hose, Wir, .40 - .42, Yel                           | 2                       |   |

① Serial number (00000000-10337089)

② Serial number (10337090- )

Fig. 47 - *ec-H2O* Group, Disc Scrub Head



**Fig. 47 - ec-H2O Group, Disc Scrub Head**

| Ref. | Part No.  | Description                                   | Qty. |
|------|-----------|---|------|
| 1    | 08713     | Nut, Hex, Lock, M8 X 1.25, NI, Ss             | 2    |
| 2    | 1017218   | Washer, Flat, 0.32b 1.00d .12, Ss             | 4    |
| 3    | 1051138   | Bracket, Cover, Fast Opng [T7 Ec-H2o]         | 1    |
| 4    | 09740     | Screw, Hex, M8 X 1.25 X 20, Ss                | 6    |
| 5    | 1052726   | Alarm, 9-48vdc, 95 Db(A) [Ec-H20]             | 1    |
| 6    | 01685     | Washer, Flat, 0.38b 0.88d .08, Ss             | 4    |
| 7    | 1034731   | Screw, Hex, M6 X 1.00 X 16, Ss, Sems          | 2    |
| 8    | 1050052   | Bracket, Module, Ec-H2o [T7]                  | 1    |
| 9    | 9007970   | Module Kit, Replmt [Ec-H2o] (See Breakdown)   | 1    |
| 9    | 9006161   | Module Kit, Replmt [Ec-H2o] (See Breakdown)   | 1    |
| 10   | 603654    | Clamp, Hose, Ear, .44d [Ctb]                  | 11   |
| 11   | 150713    | Fitting, Plstc, Tee, Bm04/Bm04/Bm04           | 1    |
| 12   | 575523000 | Hose, Pvc, Brd, 0.25id 0.44od 043.5l,Clr      | 1    |
| 13   | 150520    | Fitting, Brs, Str, Bm04/Pf02                  | 1    |
| 14   | 1044415   | Switch, Press, 20psi, Pm02                    | 1    |
| 15   | 575523000 | Hose, Pvc, Brd, 0.25id 0.44od 043.5l,Clr      | 1    |
| 16   | 613735    | Clamp, Hose, Wir, .40 - .42, Yel              | 3    |
| 17   | 1052705   | Fitting, Plstc, Str, Bm04/Bm04                | 1    |
| 18   | 1006415   | Hose, Afrmkt, Pvc, Clr, 0.25id, 03ft          | 1    |
| 19   | 575523000 | Hose, Pvc, Brd, 0.25id 0.44od 043.5l,Clr      | 1    |
| 20   | 1011170   | Fitting, Plstc, E90, Bm04/Pm04, Nyl           | 2    |
| ▽    | 21        | 1043866 Fitting Assy, Qdc, Pf04               | 1    |
| ▲    | 22        | 1047655 Washer, Flat, 0.40b 0.75d .12 [Viton] | 1    |
|      | 23        | 607006 Screw, Trs, M4 X 0.70 X 12, Phl, Pl    | 1    |
|      | 24        | 140011 Washer, Flat, 0.21b 0.45d .03, Ss      | 1    |
| 25   | 1014295   | Clip, Grip, Hose, 0.75-1.12, Stl,Blk Vyl      | 2    |
| 26   | 33932     | Nut, Hex, Lock, M4 X 0.70, NI, Ss             | 1    |
| 27   | 575523000 | Hose, Pvc, Brd, 0.25id 0.44od 043.5l,Clr      | 1    |
| 28   | 1039557   | Fitting, Plstc, Str, Bm04/Bm06                | 1    |
| 29   | 43844     | Clamp, Hose, Wormdrive, 0.25-0.62d, .31w      | 1    |
| 30   | 1016520   | Screw, Hex, M4 X 0.70 X 16, Fmg, Ss           | 1    |
| 31   | 607306    | Fitting, Plstc, Tee, Bm04/Bm04/Pm04, Br       | 2    |
| 32   | 150302    | Fitting, Brs, Str, Pf04/Pf04                  | 1    |
| 33   | 1044790   | Valve, Check, 0025psi Pm04/Pf04               | 1    |
| 34   | 1037595   | Fitting, Plstc, E90, Bm04/Pm02, Nyl           | 1    |
| 35   | 26426     | Fitting, Brs, Tee, Pf02/Pf02/Pm02, Run        | 1    |
| 36   | 1017386   | Valve, Vent, Air, Float Type                  | 1    |
| 37   | 24698     | Fitting, Brs, Str, Pf02/Pm06                  | 1    |
| 38   | 24584     | Fitting, Brs, E90, Pf06/Pm06, Spcl            | 1    |
| ▽    | 39        | 1042495 Pump, Soltn, Ele, 24vdc, 35psi        | 1    |
| ▲    | 9004759   | Pump Kit, Head, Soltn [Ec-H2o]                | 1    |
| ▲    | 78950     | Connector, Fem, 2cav, Mp280 Sealed            | 1    |
| ▲    | 78951     | Terminal, Fem, Mp280, Sealed, 18-16ga         | 1    |
| ▲    | 10917     | Seal, Wire, 14/16ga [Wp / Mp280 Sealed]       | 1    |
| ▲    | 78952     | Lock, Secondary, 2cav, Mp280 Sealed           | 1    |
| 40   | 64778     | Fitting, Plstc, E90, Bm08/Pm06                | 1    |
| 41   | 54333     | Clamp, Hose, Wormdrive, 0.31-0.88d, .31w      | 1    |
| 42   | 1014617   | Bracket, Pump, Soltn                          | 1    |
| 43   | 43555     | Clamp, Hose, Wormdrive, 2.50-3.50d, .50w      | 1    |
| 44   | 10632-13  | Grommet, Rbr, 1.50id, F/1.8h, .19 Matl        | 1    |

① Serial number (10419534-10449321)

② Serial number (10449322- )

Fig. 48 - ec-H<sub>2</sub>O Group, Cylindrical Scrub Head

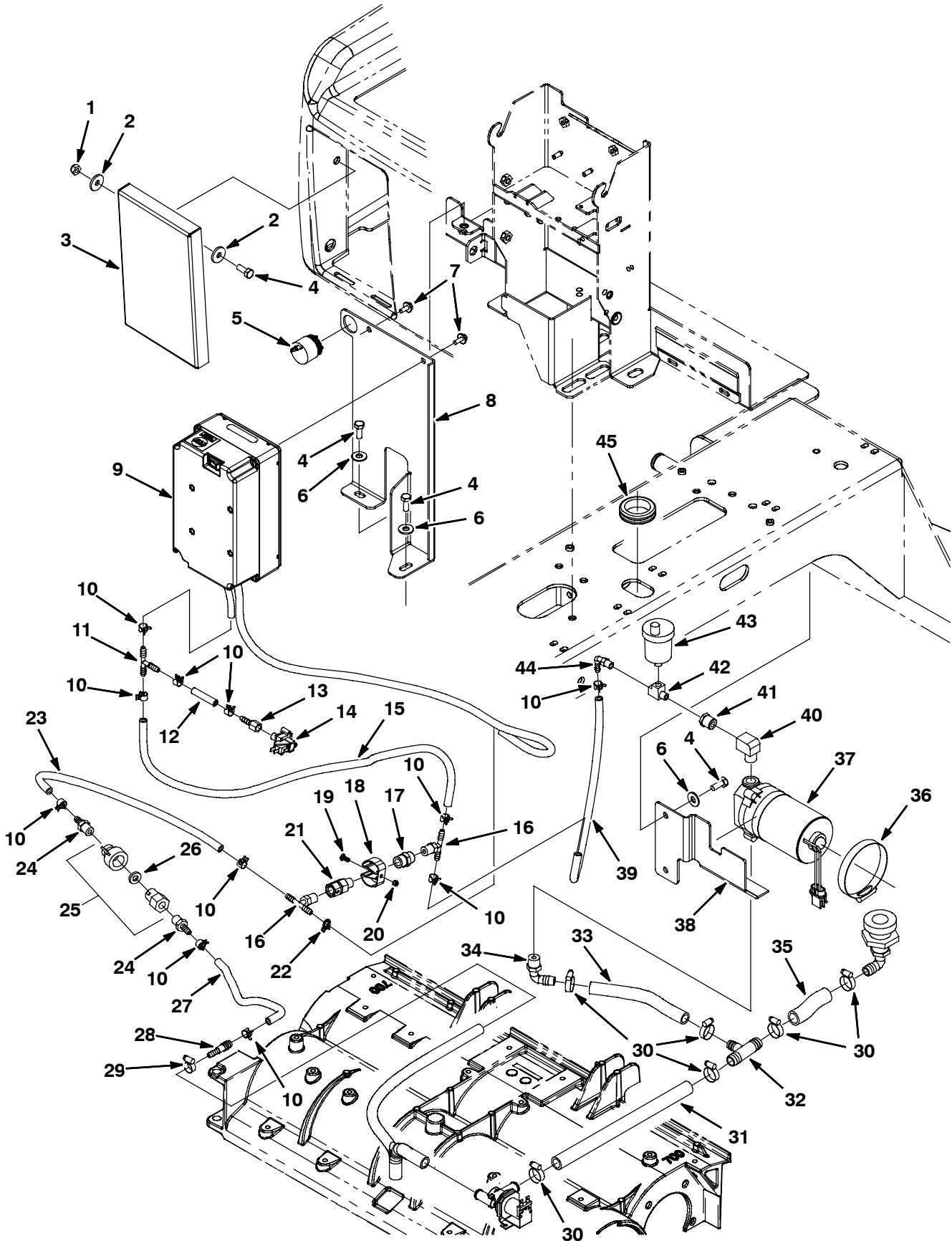


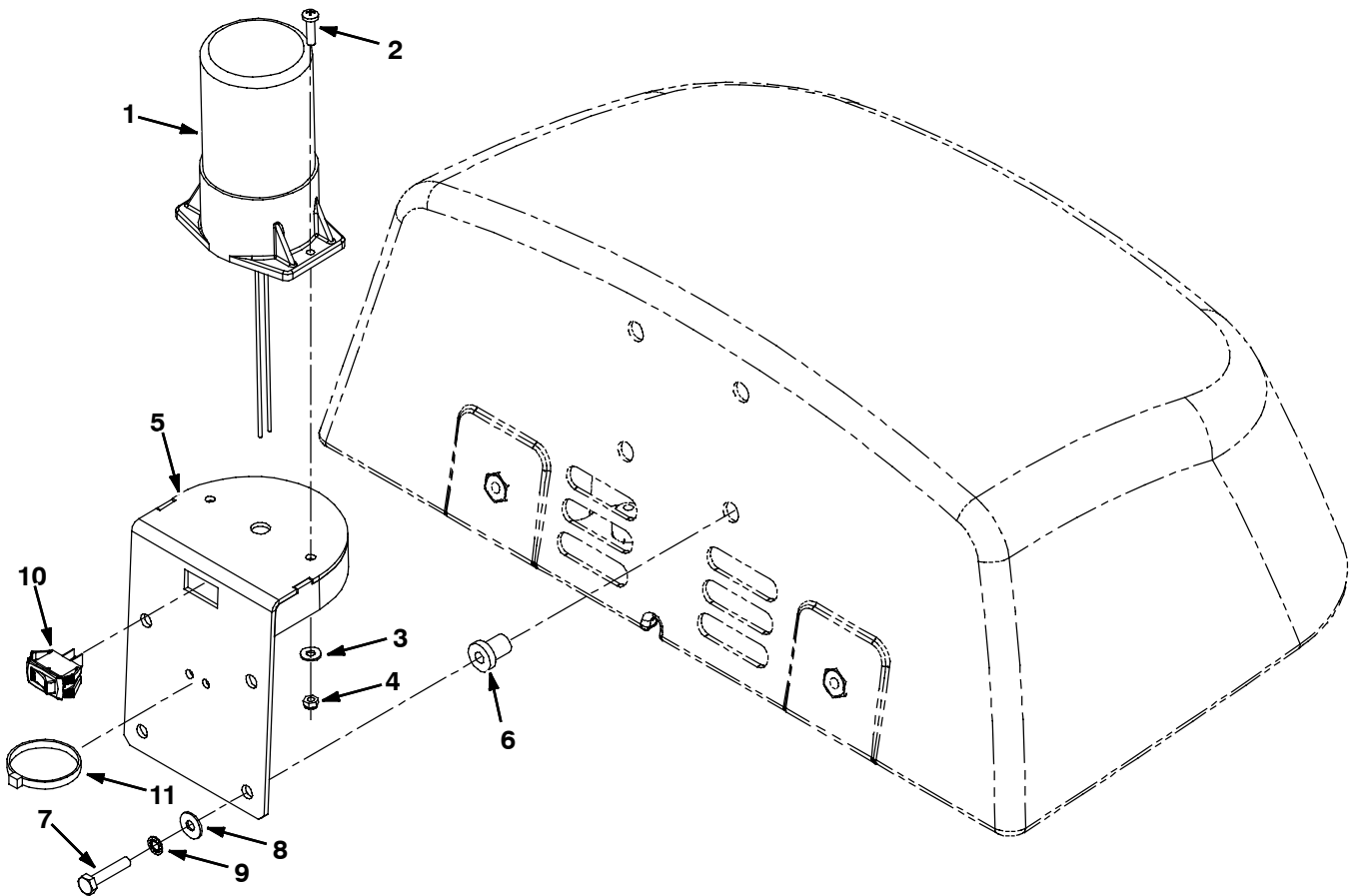
Fig. 48 - *ec-H2O* Group, Cylindrical Scrub Head

| Ref. | Part No.  | Description                                 | Qty.                                     |   |
|------|-----------|---|--|---|
| 1    | 08713     | Nut, Hex, Lock, M8 X 1.25, NI, Ss           | 2  |   |
| 2    | 1017218   | Washer, Flat, 0.32b 1.00d .12, Ss           | 4  |   |
| 3    | 1051138   | Bracket, Cover, Fast Opng [T7 Ec-H2o]       | 1  |   |
| 4    | 09740     | Screw, Hex, M8 X 1.25 X 20, Ss              | 6  |   |
| 5    | 1052726   | Alarm, 9-48vdc, 95 Db(A) [Ec-H20]           | 1  |   |
| 6    | 01685     | Washer, Flat, 0.38b 0.88d .08, Ss           | 4  |   |
| 7    | 1034731   | Screw, Hex, M6 X 1.00 X 16, Ss, Sems        | 2  |   |
| 8    | 1050052   | Bracket, Module, Ec-H2o [T7]                | 1  |   |
| 9    | 9007970   | Module Kit, Replmt [Ec-H2o] (See Breakdown) | 1  |   |
| 9    | 9006161   | Module Kit, Replmt [Ec-H2o] (See Breakdown) | 1  |   |
| 10   | 603654    | Clamp, Hose, Ear, .44d [Ctb]                | 11                                       |   |
| 11   | 150713    | Fitting, Plstc, Tee, Bm04/Bm04/Bm04         | 1  |   |
| 12   | 575523000 | Hose, Pvc, Brd, 0.25id 0.44od 043.5l,Clr    | 1  |   |
| 13   | 150520    | Fitting, Brs, Str, Bm04/Pf02                | 1  |   |
| 14   | 1044415   | Switch, Press, 20psi, Pm02                  | 1  |   |
| 15   | 575523000 | Hose, Pvc, Brd, 0.25id 0.44od 043.5l,Clr    | 1  |   |
| 16   | 607306    | Fitting, Plstc, Tee, Bm04/Bm04/Pm04, Br     | 2  |   |
| 17   | 150302    | Fitting, Brs, Str, Pf04/Pf04                | 1  |   |
| 18   | 1014295   | Clip, Grip, Hose, 0.75-1.12, Stl,Blk Vyl    | 1  |   |
| 19   | 607006    | Screw, Trs, M4 X 0.70 X 12, Phl, PI         | 1  |   |
| 20   | 33932     | Nut, Hex, Lock, M4 X 0.70, NI, Ss           | 1  |   |
| 21   | 1044790   | Valve, Check, 0025psi Pm04/Pf04             | 1  |   |
| 22   | 613735    | Clamp, Hose, Wir, .40 - .42, Yel            | 1  |   |
| 23   | 575523000 | Hose, Pvc, Brd, 0.25id 0.44od 043.5l,Clr    | 1  |   |
| 24   | 50901     | Fitting, Plstc, Str, Bm04/Pm04              | 2  |   |
| ▽    | 25        | 1043866                                     | Fitting Assy, Qdc, Pf04                  | 1 |
| ▲    | 26        | 1047655                                     | Washer, Flat, 0.40b 0.75d .12 [Viton]    | 1 |
|      | 27        | 575523000                                   | Hose, Pvc, Brd, 0.25id 0.44od 043.5l,Clr | 1 |
|      | 28        | 1039557                                     | Fitting, Plstc, Str, Bm04/Bm06           | 1 |
|      | 29        | 43844                                       | Clamp, Hose, Wormdrive, 0.25-0.62d, .31w | 1 |
|      | 30        | 54333                                       | Clamp, Hose, Wormdrive, 0.31-0.88d, .31w | 6 |
|      | 31        | 1015026                                     | Hose, Afmkt, Pvc, Brd, 0.62id, 03ft, Clr | 1 |
|      | 32        | 1015486                                     | Fitting, Plstc, Tee, Bm08/Bm10/Bm10, Br  | 1 |
|      | 33        | 1031304                                     | Hose, Pump (376716)                      | 1 |
|      | 34        | 64778                                       | Fitting, Plstc, E90, Bm08/Pm06           | 1 |
|      | 35        | 1031738                                     | Hose, Pvc, Brd, 0.62id 0.88od [C460117]  | 1 |
|      | 36        | 43555                                       | Clamp, Hose, Wormdrive, 2.50-3.50d, .50w | 1 |
| ▽    | 37        | 1042495                                     | Pump, Soltn, Ele, 24vdc, 35psi           | 1 |
| ▲    |           | 9004759                                     | Pump Kit, Head, Soltn [Ec-H2o]           | 1 |
| ▲    |           | 78950                                       | Connector, Fem, 2cav, Mp280 Sealed       | 1 |
| ▲    |           | 78951                                       | Terminal, Fem, Mp280, Sealed, 18-16ga    | 1 |
| ▲    |           | 10917                                       | Seal, Wire, 14/16ga [Wp / Mp280 Sealed]  | 1 |
| ▲    |           | 78952                                       | Lock, Secondary, 2cav, Mp280 Sealed      | 1 |
|      | 38        | 1029095                                     | Bracket, Pump, Soltn                     | 1 |
|      | 39        | 575523000                                   | Hose, Pvc, Brd, 0.25id 0.44od 043.5l,Clr | 1 |
|      | 40        | 24584                                       | Fitting, Brs, E90, Pf06/Pm06, Spcl       | 1 |
|      | 41        | 24698                                       | Fitting, Brs, Str, Pf02/Pm06             | 1 |
|      | 42        | 26426                                       | Fitting, Brs, Tee, Pf02/Pf02/Pm02, Run   | 1 |
|      | 43        | 1017386                                     | Valve, Vent, Air, Float Type             | 1 |
|      | 44        | 1037595                                     | Fitting, Plstc, E90, Bm04/Pm02, Nyl      | 1 |
|      | 45        | 10632-13                                    | Grommet, Rbr, 1.50id, F/1.8h, .19 Matl   | 1 |

☐ Serial number (10419534-10449321)

☑ Serial number (10449322- )

**Fig. 49 - Flashing Light Kit**

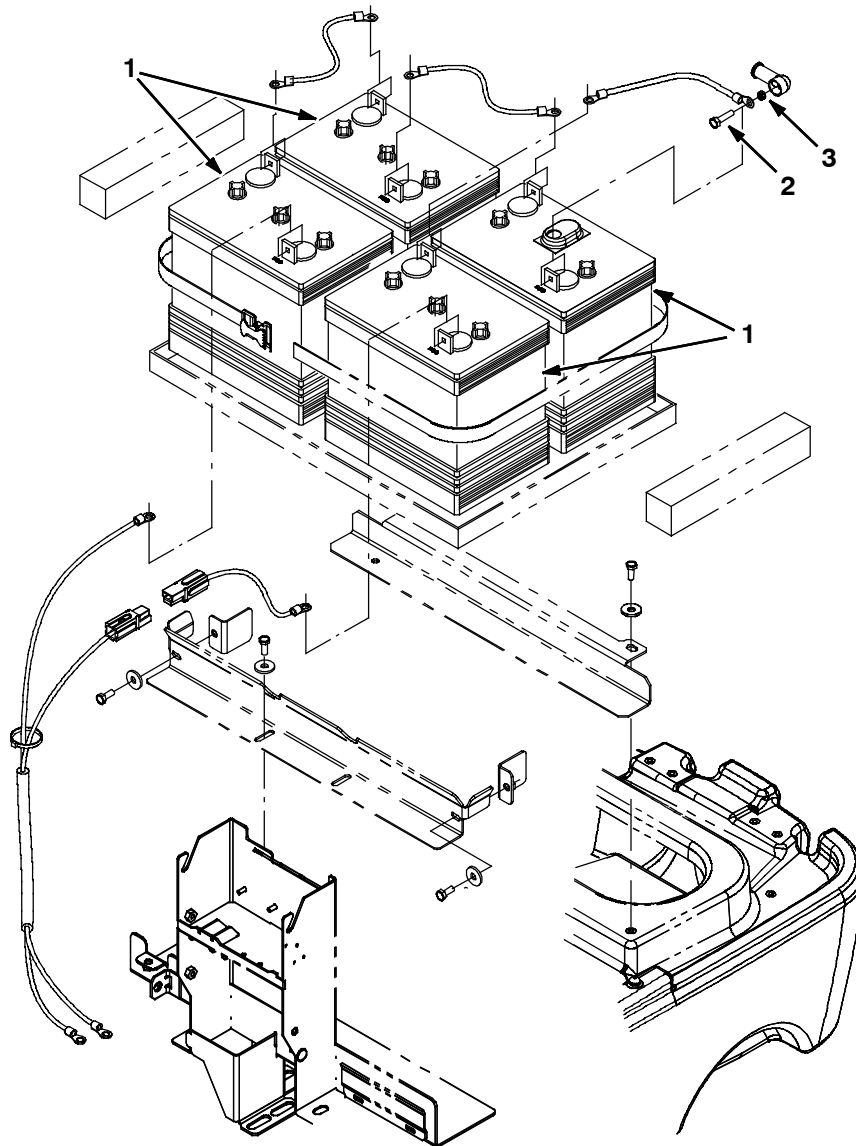


355035

| Ref. | Part No.  | Description                              | Qty. |
|------|-----------|--|------|
| ▽    | 9000581   | Light Kit, Flsh, Ci [T7/Ssr]             | 1    |
| ▲▽   | 1 1015170 | Light Assy, Flsh, 24vdc                  | 1    |
| ▲▲   | 1014564   | Lamp, 24vac, Flsh                        | 1    |
| ▲    | 2 24196   | Screw, Pan, M5 X 0.8 X 20, Ss            | 2    |
| ▲    | 3 01683   | Washer, Flat, #10 Ss                     | 2    |
| ▲    | 4 09739   | Nut, Hex, Lock, M5 X 0.8, NI, Ss         | 2    |
| ▲    | 5 1014527 | Bracket Wldt, Light, Flsh                | 1    |
| ▲    | 6 61913   | Nut, Isolator, .25-20 Wall Thk .031-.187 | 4    |
| ▲    | 7 01699   | Screw, Hex, .25-20 X 1.25, Ss            | 4    |
| ▲    | 8 01684   | Washer, Flat, 0.25 Ss                    | 4    |
| ▲    | 9 07515   | Washer, Lock, Int, .25, Ss               | 4    |
| ▲    | 10 130717 | Switch, Rocker, 250vac 15a Spst On/Off   | 1    |
| ▲    | 11 130040 | Tie, Cable, Nyl, 06.0L .12W              | 1    |



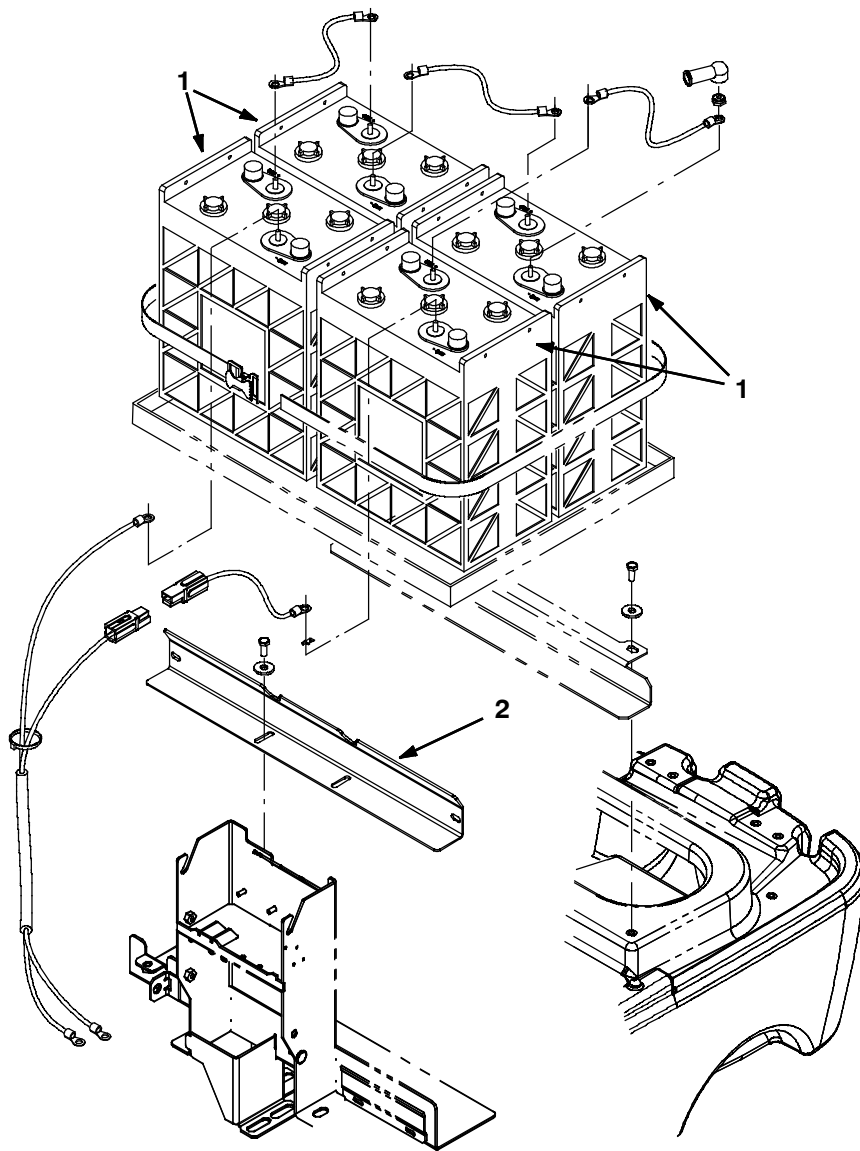
Fig. 50 - Battery Group, 180Ah, Maintenance Free



355036

| Ref. | Part No. | Description                       | Qty. |
|------|----------|-----------------------------------|------|
| 1    | 390764   | Battery, 06vdc 0180ah, Maint Free | 4    |
| 2    | 140221   | Screw, Hex, .31-18 X 1.25, Ss     | 8    |
| 3    | 140506   | Nut, Hex, Std, .31-18, Ss         | 8    |

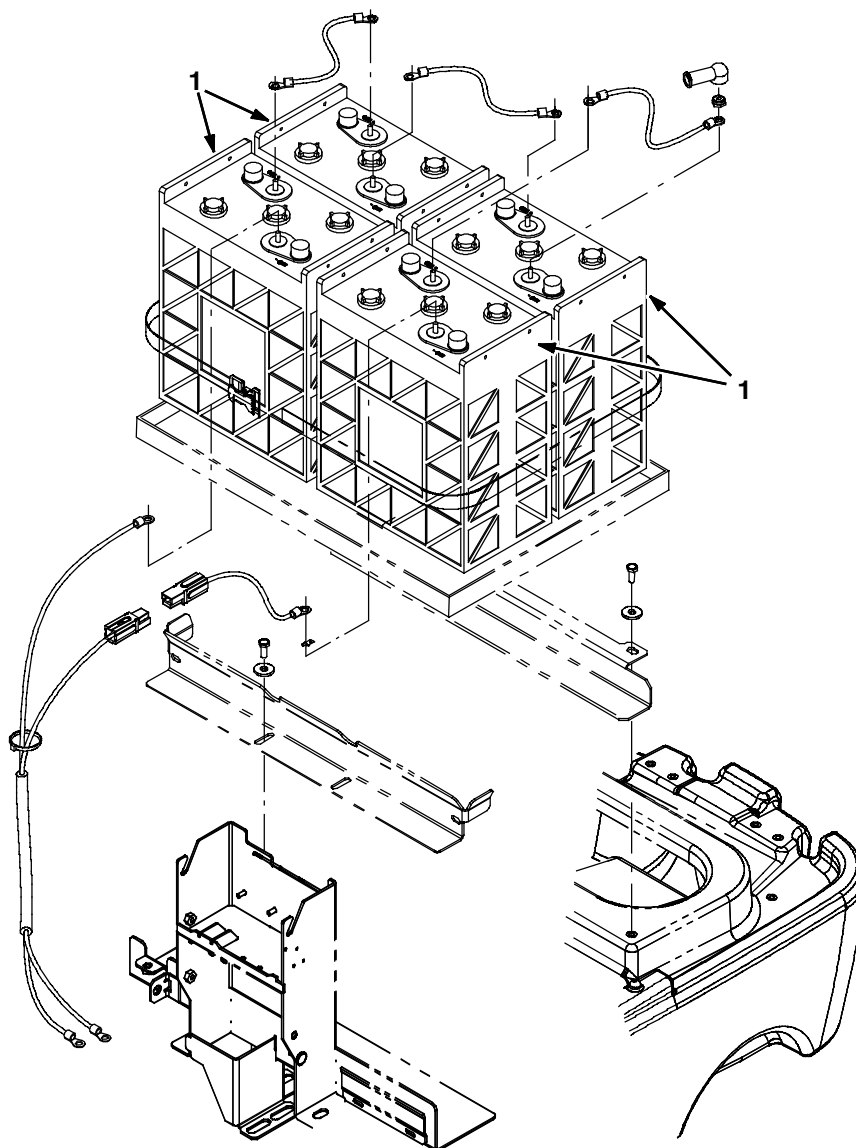
**Fig. 51 - Battery Group, 220Ah, Maintenance Free**



355037

| Ref. | Part No. | Description                         | Qty. |
|------|----------|-------------------------------------|------|
| 1    | 311252   | Cs, Battery, 220a [Agm, Maint Free] | 4    |
| 2    | 1042532  | Bracket, Battery [T7, 220ah Agm]    | 1    |

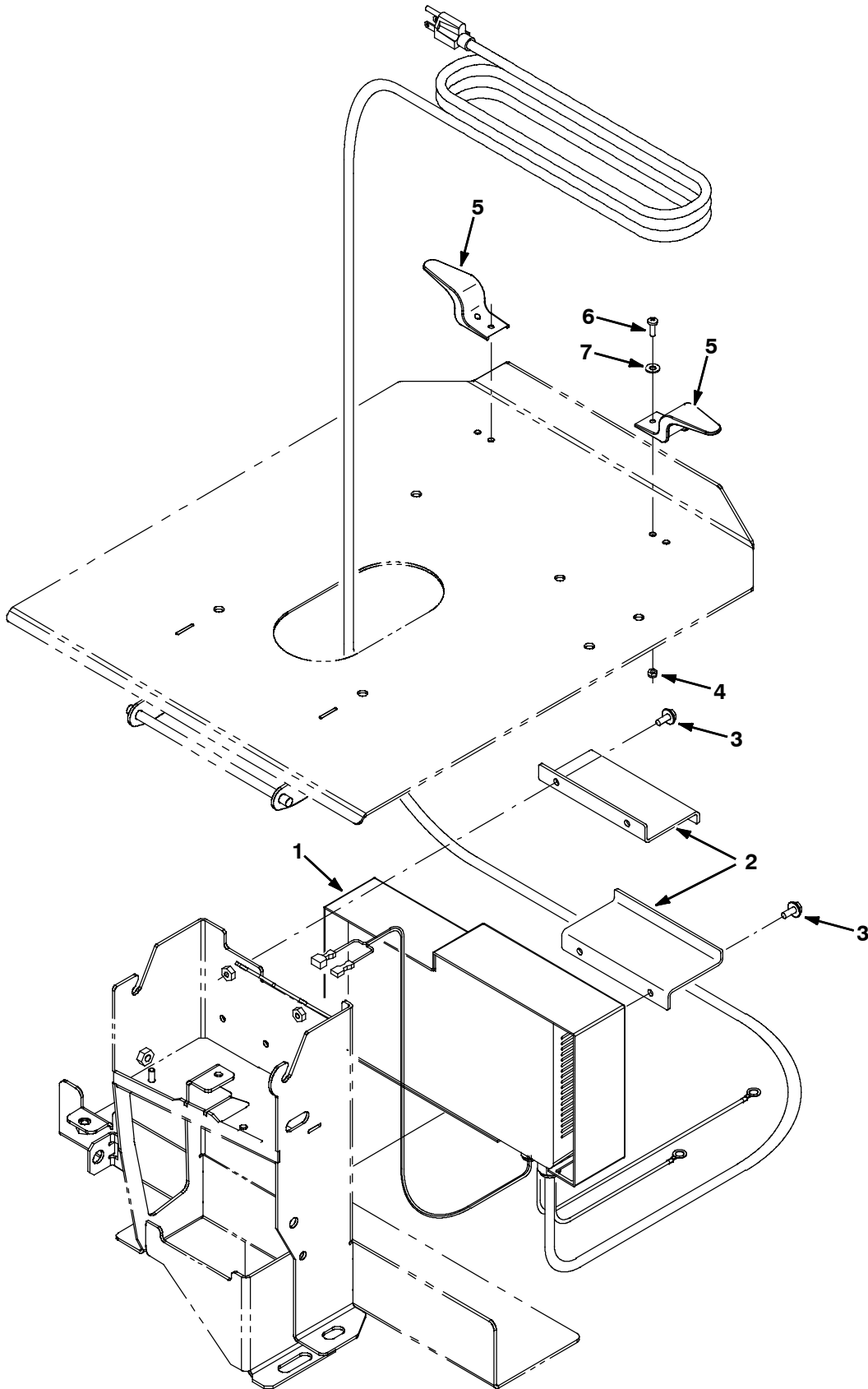
Fig. 52 - Battery Group, 335Ah



355037

| Ref. | Part No. | Description                | Qty. |
|------|----------|----------------------------|------|
| 1    | 222846   | Battery, Wet, 06vdc 0335ah | 4    |

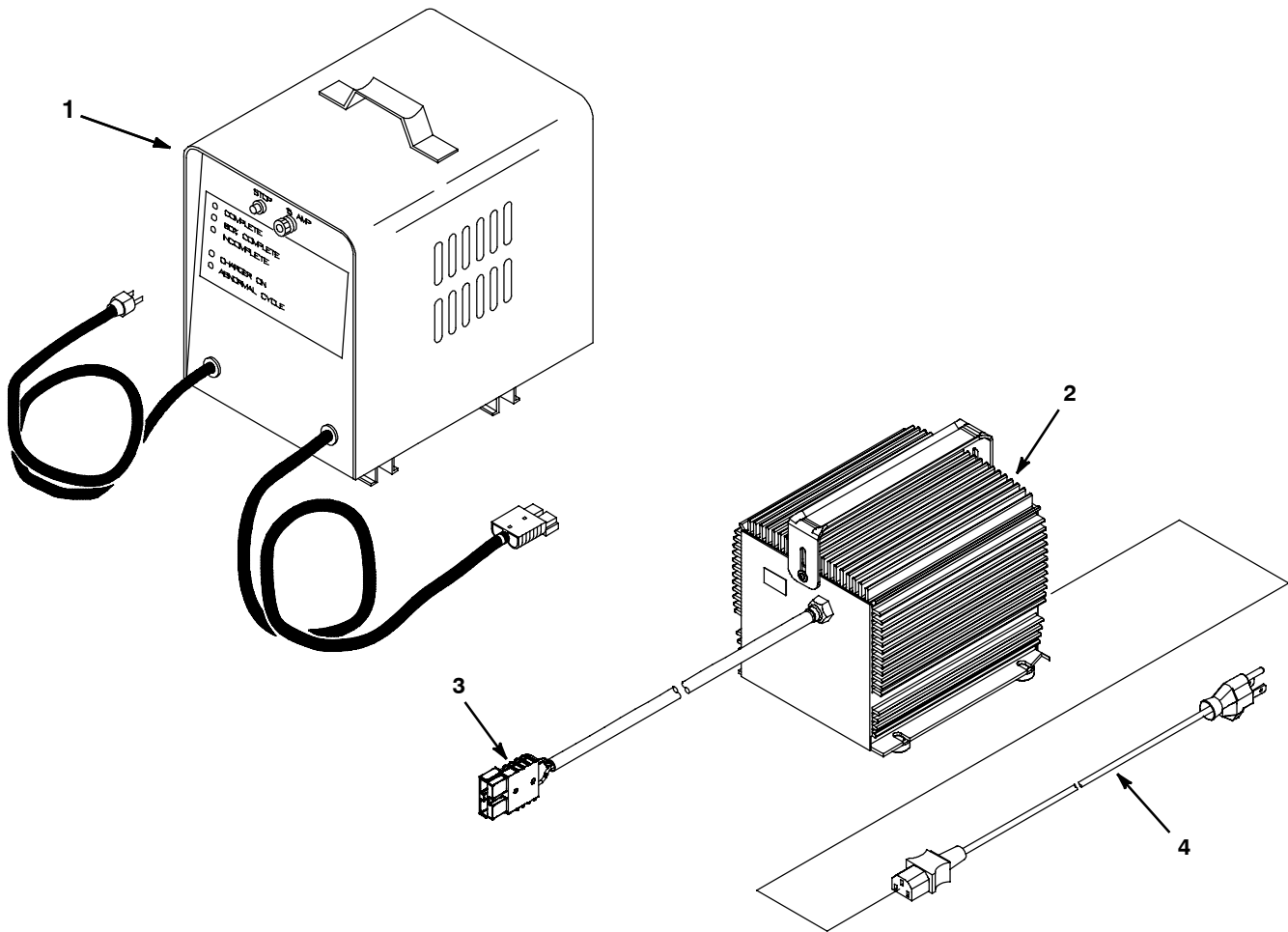
Fig. 53 - Battery Charger Kit, On-Board



**Fig. 53 - Battery Charger Kit, On-Board**

|   | <b>Ref.</b> | <b>Part No.</b> | <b>Description</b>                   | <b>Qty.</b> |
|---|-------------|-----------------|--------------------------------------|-------------|
| ▽ |             | 9001994         | Charger Kit, Ci [On-Board, T7]       | 1           |
| ▲ | 1           | 1031491         | Charger, 24vdc 25a 115vac [Wet/Gel]  | 1           |
| ▲ | 2           | 1031180         | Bracket, Chrgr                       | 2           |
| ▲ | 3           | 1034731         | Screw, Hex, M6 X 1.00 X 16, Ss, Sems | 4           |
| ▲ | 4           | 06549           | Nut, Hex, Lock, M5 X 0.80, NI        | 4           |
| ▲ | 5           | 230920.BK       | Hook, Cord, Blk [Boss]               | 2           |
| ▲ | 6           | 06933           | Screw, Pan, M5 X 0.80 X 16, 4.8      | 4           |
| ▲ | 7           | 19066           | Washer, Flat, #10                    | 4           |

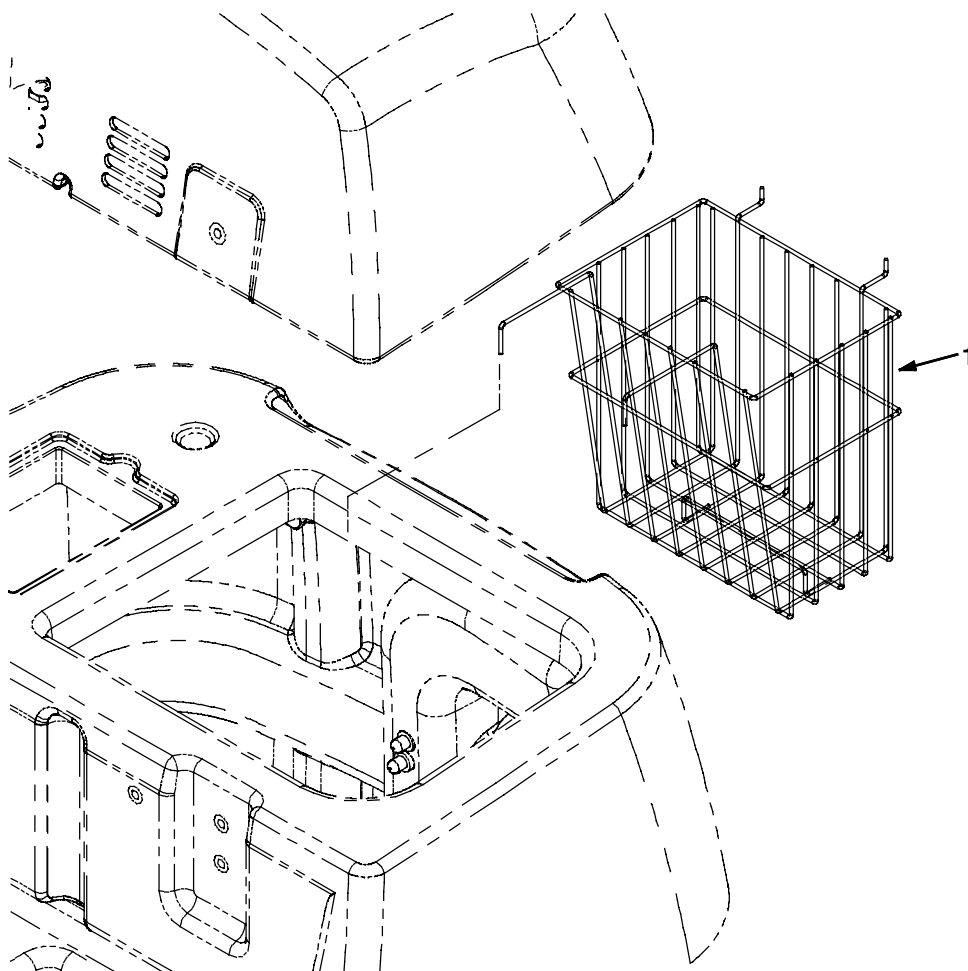
Fig. 54 - Battery Chargers Group



350771

| Ref. | Part No. | Description                              | Qty. |
|------|----------|--|------|
| 1    | 130871   | Charger 24vdc 25amp 120ac/60hz           | 1    |
| ▽    | 2        | Charger, 24vdc, 19a Var Vac 1ph 50/60hz  | 1    |
| ▲    | 3        | Connector, Anderson, 50a,Red W/O Contact | 1    |
| ▲    | 4        | Cord, Extn, 16ga /3, 010ft [Sjt]         | 1    |

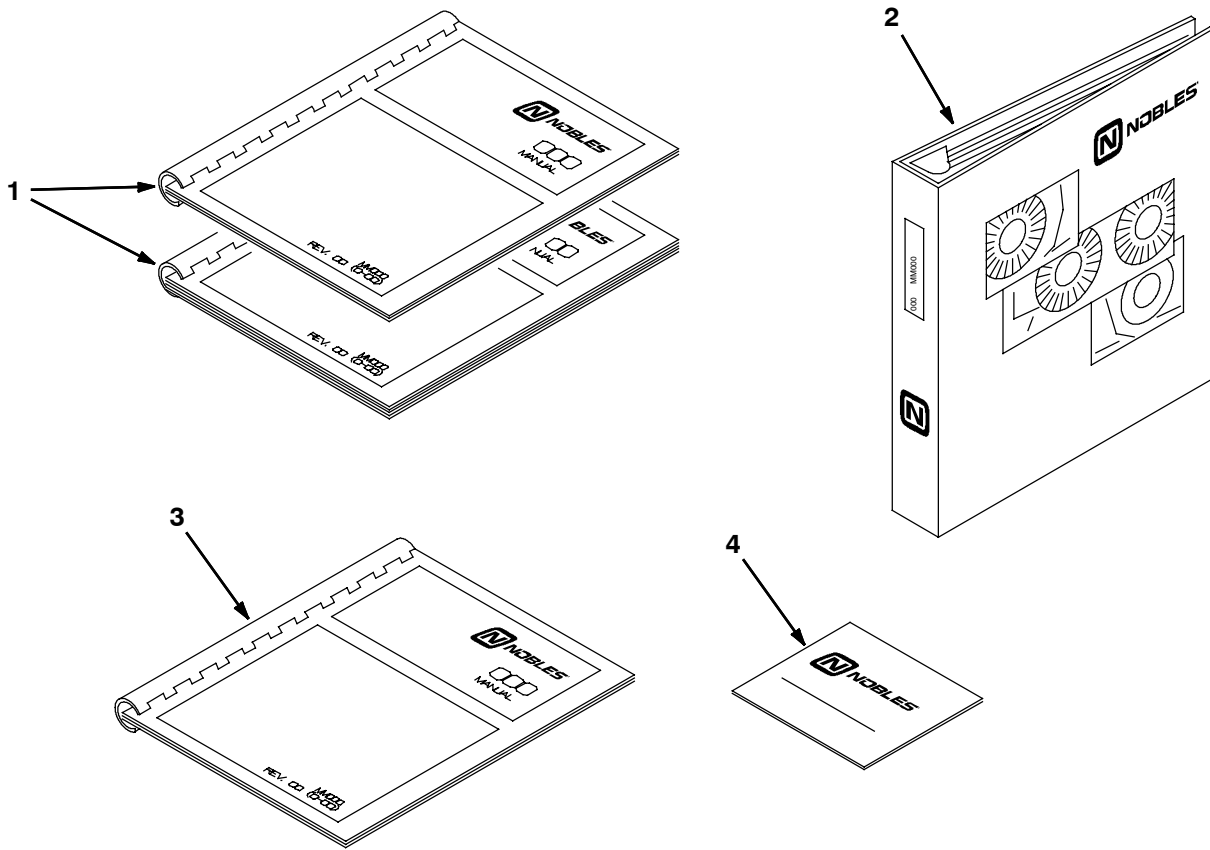
Fig. 55 - Basket Kit



355039

| Ref. | Part No. | Description    | Qty. |
|------|----------|----------------|------|
| 1    | 9001004  | Basket Kit, Ci | 1    |

Fig. 56 - Documentation Group



07501

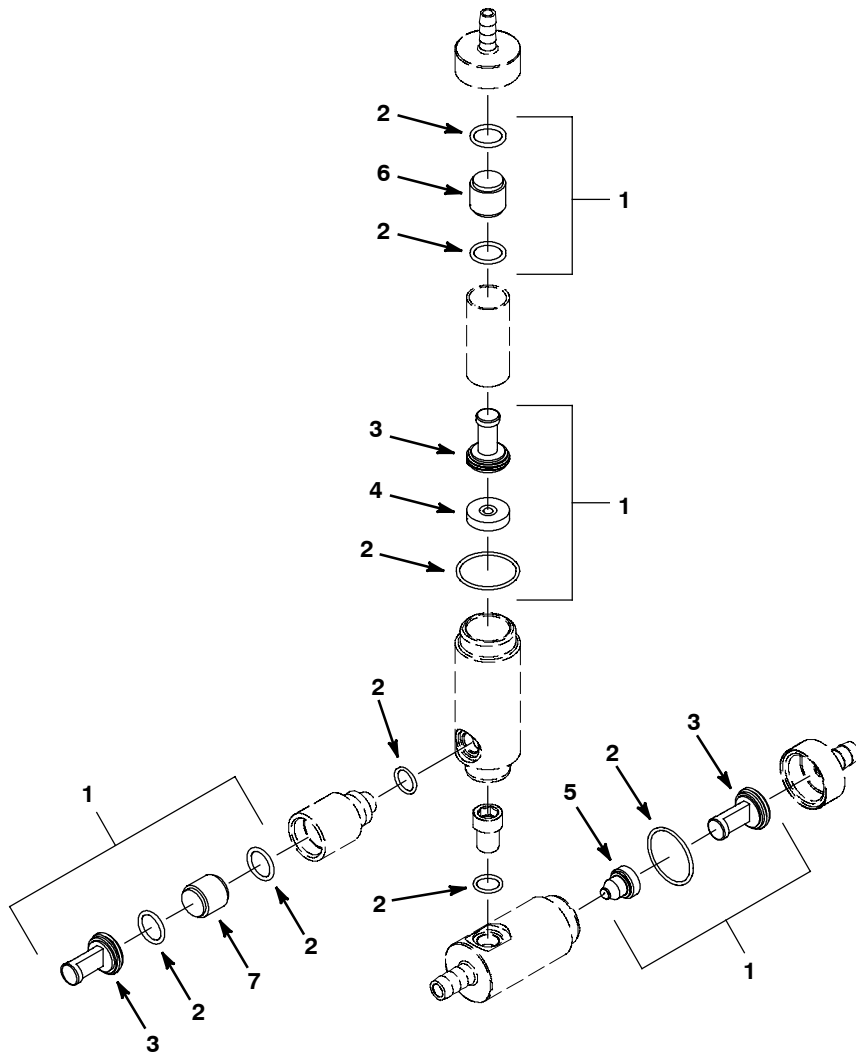
| Ref. | Part No. | Description                            | Qty. |
|------|----------|--|------|
| 1    | 331140   | Manual Pkg, [Ss Rider Ele Na]          | 1    |
| 2    | 331145   | Manual, Service, [Ss rider Ele Na]     | 1    |
| 3    | 331142   | Manual, Oprtr, [Ss Rider Ele Es Na]    | 1    |
| 3    | 331143   | Manual, Oprtr, [Ss Rider Ele Fr Na]    | 1    |
| 4    | 1059849  | Media, Dvd, Training, Inter, Eng [Ssr] | 1    |
| 4    | 1059851  | Media, Dvd, Training, Inter, Spn [Ssr] | 1    |



# SECTION 4

| Contents  | Page |
|---|------|
| Fig. 1 - FaST Injector Assembly<br>Breakdown, 9003909 .....                                   | 4-2  |
| Fig. 2 - FaST Injector Assembly<br>Breakdown, 9003005 .....                                   | 4-3  |
| Fig. 3 - <i>ec-H2O</i> Module Assembly<br>Breakdown, 9007970<br>(S/N 10449322- ) .....        | 4-4  |
| Fig. 4 - <i>ec-H2O</i> Module Assembly<br>Breakdown, 9006161<br>(S/N 10419534-10449321) ..... | 4-6  |
| Fig. 5 - Vacuum Fan Motor Breakdown,<br>1039763 .....   | 4-8  |
| Fig. 6 - Front Wheel Gearbox Breakdown,<br>9001642 .....                                      | 4-10 |
| Fig. 7 - Steering Control Breakdown, 1019724 .  | 4-12 |

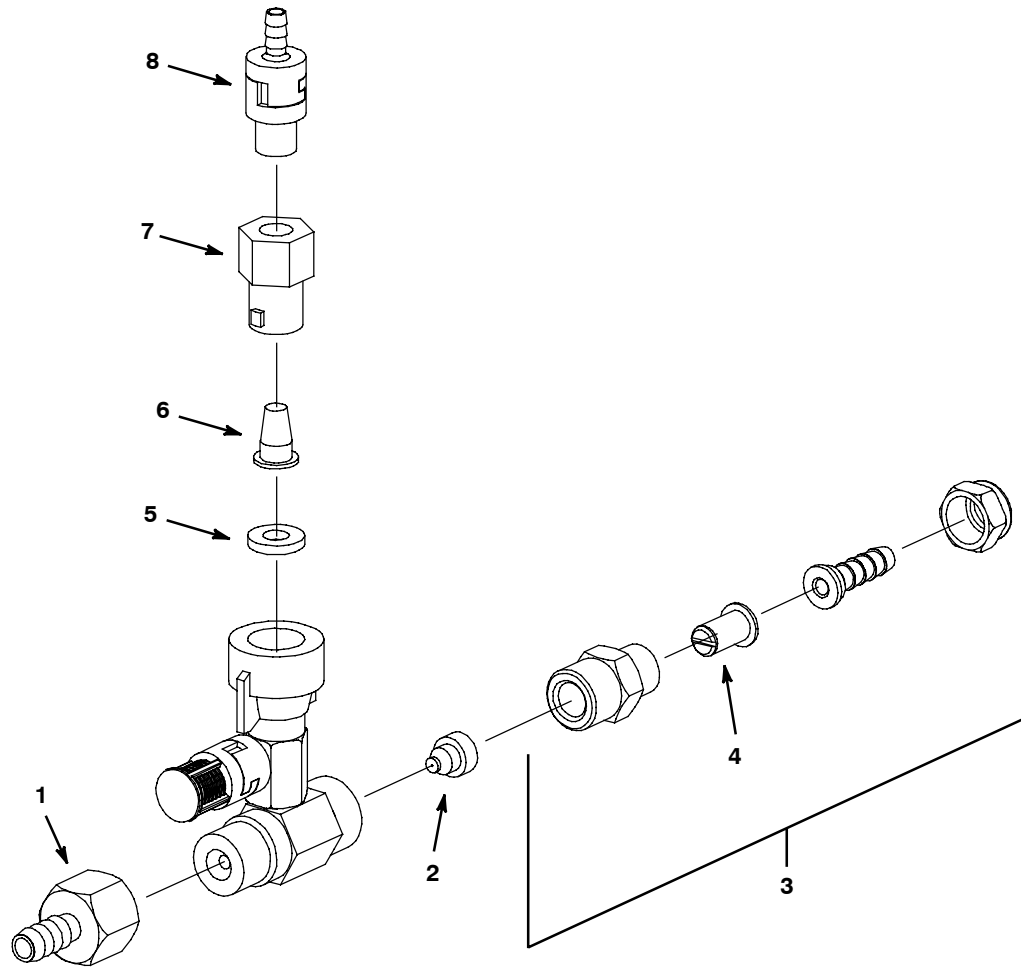
Fig. 1 - FaST Injector Assembly Breakdown, 9003909



| Ref. | Part No.  | Description                                 | Qty. |
|------|-----------|---|------|
| ▽    | 9003909   | 1 Fast Kit, Injector, Ci[T7/Ssr Fast li+]   | 1    |
| ▲    | 1 9003010 | 1 Fast Kit, Ci, Inj Rebl[T7/Ssr Fastii+]    | 1    |
| ▲    | 2 9003008 | 1 Fast Kit, Ci, Injector Seals [FaST II+]   | 1    |
| ▲    | 3 9003009 | 1 Fast Kit, Ci, Injector Filters [FaST II+] | 1    |
| ▲    | 4 1039982 | 1 Plate Assy, Orifice, 0.008ld, Orange      | 1    |
| ▲    | 5 1039990 | 1 Plug, Orifice, 0.04, Ss, [FaST II+]       | 1    |
| ▲    | 6 1030444 | 1 Valve, Check, 0002psi, White [FaST II+]   | 1    |
| ▲    | 7 1030441 | 1 Valve, Check, 0005psi, Brown [FaST II+]   | 1    |

1 Serial number (10337090- )

**Fig. 2 - FaST Injector Assembly Breakdown, 9003005**



| Ref. | Part No. | Description                                | Qty. |
|------|----------|--|------|
| 1    | 1014276  | □ Fitting, Brs, Str, Bm06/Pf08             | 1    |
| 2    | 1039990  | □ Plug, Orifice, 0.041, Ss [Fast li+]      | 1    |
| ▽ 3  | 1013411  | □ Filter Assy, 050mesh                     | 1    |
| ▲ 4  | 1006447  | □ Vr, Filter, Screen, 050 Mesh .59d .8l Ss | 1    |
| 5    | 1039982  | □ Plate Assy, Orifice, 0.008id, Orange     | 1    |
| 6    | 1029355  | □ Vr, Filter, Screen, 200 Mesh .59d .8l Ss | 1    |
| 7    | 1005507  | □ Fitting, Plstc, Body, Spray, Pf04        | 1    |
| 8    | 1014254  | □ Valve, Check, 0002psi Bm04/Pm04          | 1    |

□ Serial number (00000000-10337089)

**Fig. 3 - ec-H2O Module Assembly Breakdown, 9007970 (S/N 10449322- )**

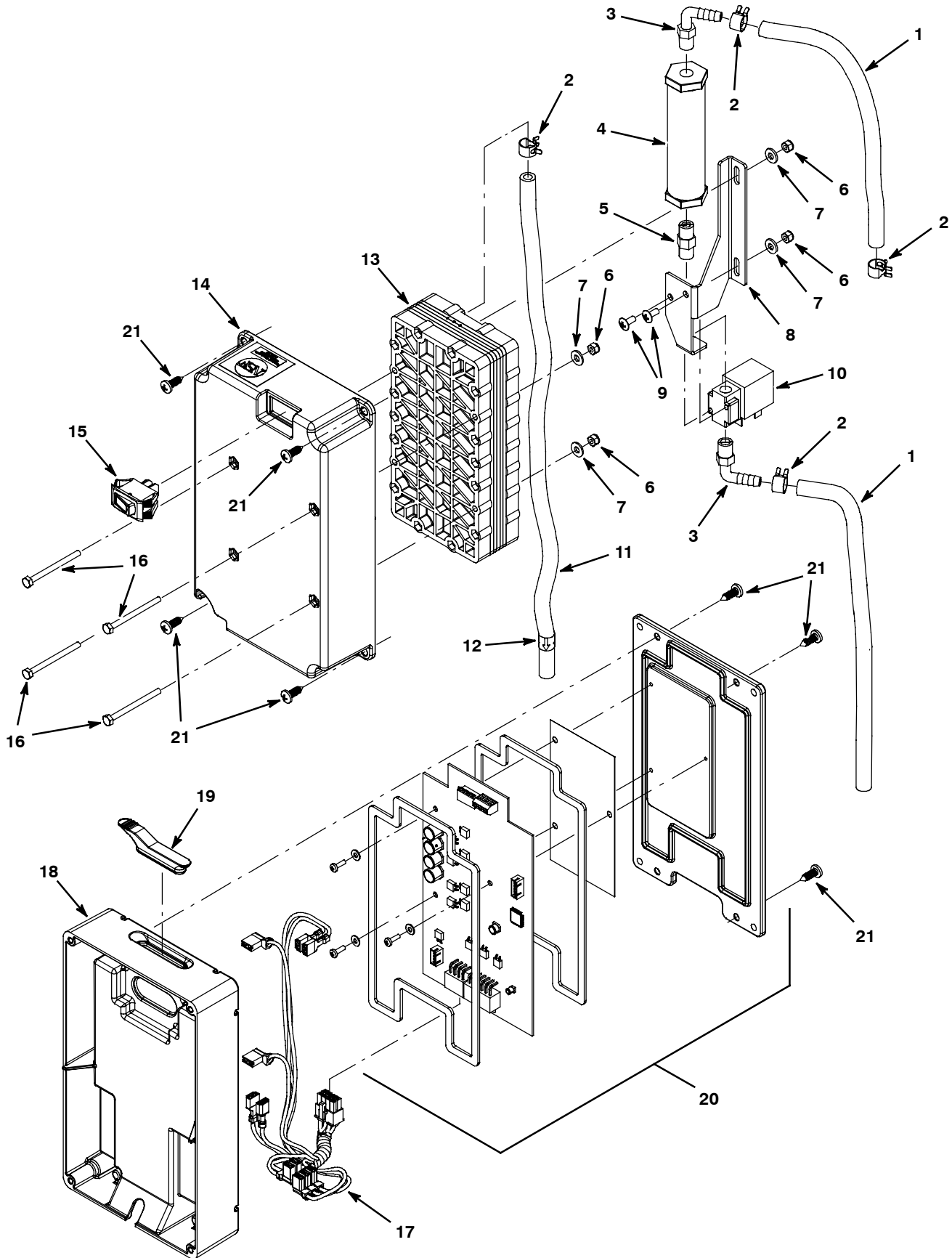


Fig. 3 - *ec-H2O* Module Assembly Breakdown, 9007970 (S/N 10449322- )

| Ref. | Part No.    | Description                                | Qty. |
|------|-------------|--|------|
| ▽    | 9007970     | ② Module Kit, Replmt [Ec-H2o]              | 1    |
| ▲▽   | 9006324     | ② Ec-H2o Kit, Module B, Plumbing           | 1    |
| ▲▲   | 1 578820000 | Hose, Pvc, Brd, 0.25id 0.44od 157.2l,Clr   | 1    |
| ▲▲   | 2 603654    | Clamp, Hose, Ear, .44d [Ctb]               | 4    |
| ▲▲   | 3 1037595   | Fitting, Plstc, E90, Bm04/Pm02, Nyl        | 2    |
| ▲▲   | 4 1062006   | Electrode, Cylindrical                     | 1    |
| ▲▲   | 5 1045030   | Fitting, Brs, Str, Pm02/Pm02               | 1    |
| ▲▲   | 6 33932     | ② Nut, Hex, Lock, M4 X 0.70, Ni, Ss        | 4    |
| ▲▲   | 7 41579     | ② Washer, Flat, 08, Ss                     | 4    |
| ▲▲   | 8 1048490   | ② Bracket, Valve                           | 1    |
| ▲▲   | 9 140801    | Screw, Trs, Phl, 08-32 X 0.38, Ss          | 2    |
| ▲▲   | 10 1013236  | Valve, Shutoff, Ele, 24vdc                 | 1    |
| ▲▲   | 11 9006574  | ② Hose, Pvc, Brd, 0.25id 0.45od, 65l, Clr  | 1    |
| ▲▲   | 12 1049637  | Label, Direction [Ec-H2o]                  | 1    |
| ▲▲   | 13 1057637  | ② Electrode, 5 Plate, High Flow            | 1    |
| ▲▲   | 14 1051519  | ② Housing, Upper, Module, High Flow        | 1    |
| ▲▲   | 15 1044393  | Switch, Rocker, Spst, Mom                  | 1    |
| ▲▲   | 16 32509    | ② Screw, Hex, M4 X 0.70 X 50, Ss           | 4    |
| ▲▲   | 17 1049489  | ② Harness, Main,Controlboard[Ec-H2o 5cell] | 1    |
| ▲    | 18 1037032  | Housing, Bottom                            | 1    |
| ▲    | 19 1054776  | Grommet, Blind                             | 1    |
| ▲    | 20 9007969  | Controller Kit, Replmt [Ec-H2o]            | 1    |
| ▲    | 21 1018155  | Screw, Pan, Phl, M5 X 0.80 X 16, Tcut,Ss   | 8    |

② Serial number (10449322- )

# BREAKDOWNS

Fig. 4 - *ec-H2O* Module Assembly Breakdown, 9006161 (S/N 10419534-10449321)

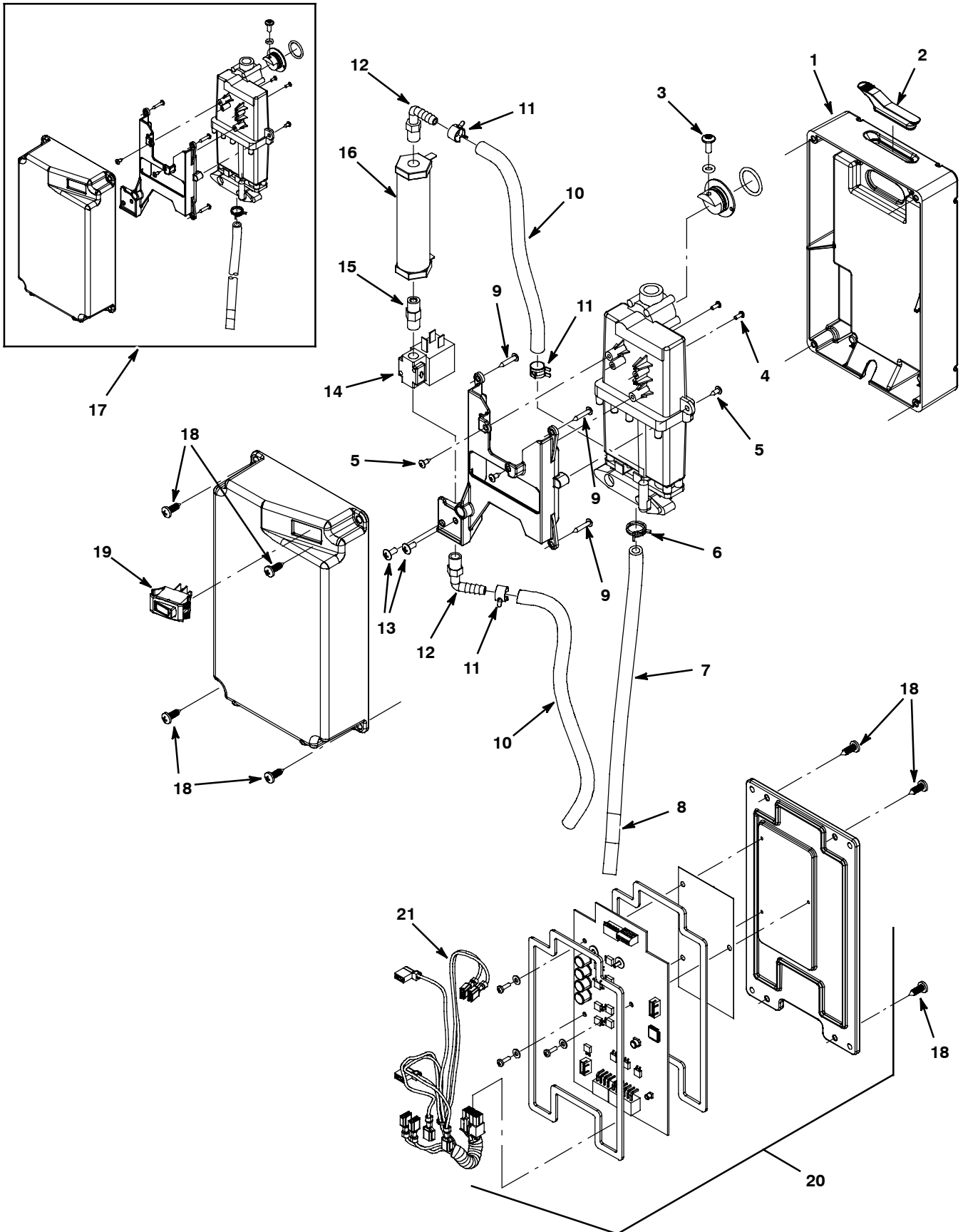


Fig. 4 - *ec-H2O* Module Assembly Breakdown, 9006161 (S/N 10419534-10449321)

| Ref. | Part No.     | Description                                | Qty. |
|------|--------------|--|------|
| ▽    | 9006161      | ① Module Kit, Replmt [Ec-H2o]              | 1    |
| ▲    | 1 1037032    | Housing, Bottom                            | 1    |
| ▲    | 2 1054776    | Grommet, Blind                             | 1    |
| ▲    | 3 609062     | ① Screw, Trs, M5 X 0.80 X 12, Phl, Ss      | 1    |
| ▲    | 4 578860     | ① Screw, Pan, Phl, 04-40 X 0.31, Pl        | 2    |
| ▲    | 5 3701.6     | ① Screw, Pan, Phl, 06-32 X 0.38, Shtmtl,Ss | 4    |
| ▲    | 6 613735     | ① Clamp, Hose, Wir, .40 - .42, Yel         | 1    |
| ▲    | 7 9004606    | ① Hose, Pvc, Clr, 0.25id 0.38od 064.0l     | 1    |
| ▲    | 8 1049637    | Label, Direction [Ec-H2o]                  | 1    |
| ▲    | 9 140826     | ① Screw, Pan, Phl, 06-20 X 0.75, Fmg/Ab,Ss | 4    |
| ▲    | 10 578820000 | Hose, Pvc, Brd, 0.25id 0.44od 157.2l,Clr   | 1    |
| ▲    | 11 603654    | Clamp, Hose, Ear, .44d [Ctb]               | 3    |
| ▲    | 12 1037595   | Fitting, Plstc, E90, Bm04/Pm02, Nyl        | 2    |
| ▲    | 13 140801    | Screw, Trs, Phl, 08-32 X 0.38, Ss          | 2    |
| ▲    | 14 1013236   | Valve, Shutoff, Ele, 24vdc                 | 1    |
| ▲    | 15 1045030   | Fitting, Brs, Str, Pm02/Pm02               | 1    |
| ▲    | 16 1038159   | Electrode, Cylindrical                     | 1    |
| ▲    | 17 9006324   | ① Ec-H2o Kit, Module B, Plumbing           | 1    |
| ▲    | 18 1018155   | Screw, Pan, Phl, M5 X 0.80 X 16, Tcut,Ss   | 8    |
| ▲    | 19 1044393   | Switch, Rocker, Spst, Mom                  | 1    |
| ▲    | 20 9006159   | Controller Kit, Replmt [Ec-H2o]            | 1    |
| ▲    | 21 1044399   | ① Harness, Main, Controller [Ec-H2o, P3]   | 1    |

① Serial number (10419534-10449321)

Fig. 5 - Vacuum Fan Motor Breakdown, 1039763

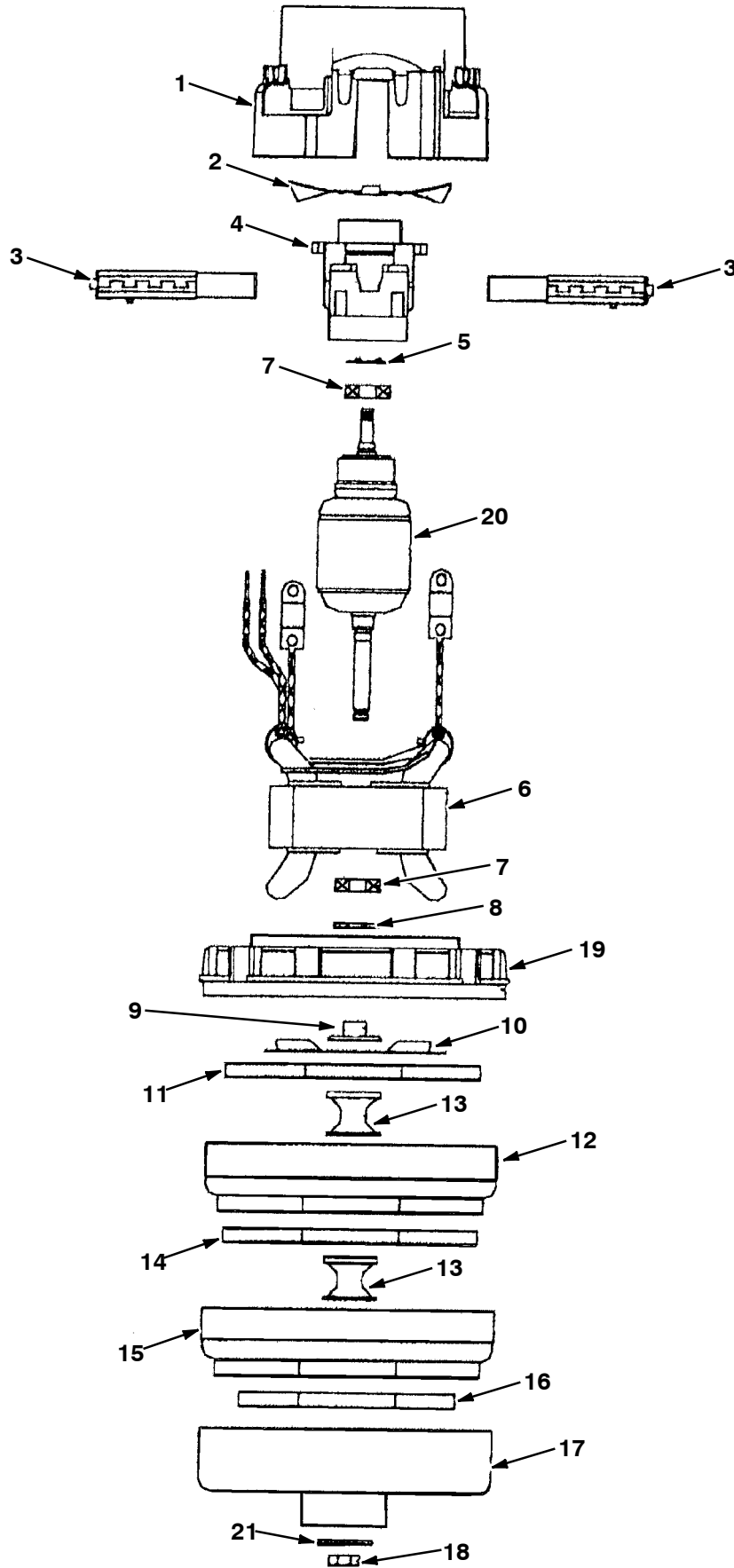




Fig. 5 - Vacuum Fan Motor Breakdown, 1039763

|   | Ref. | Part No. | Description                              | Qty. |
|---|------|----------|--|------|
| ▽ |      | 1039763  | Fan, Vacuum, 5.7D, 024Vdc, 3 Stage [Bpp] | 1    |
| ▲ | 1    | 398511   | Housing                                  | 1    |
| ▲ | 2    | 398512   | Fan                                      | 1    |
| ▲ | 3    | 372883   | Brush Kit, Motor, Ele                    | 1    |
| ▲ | 4    | 398514   | Bracket                                  | 1    |
| ▲ | 5    | 01856    | Spring, Brg, Motor, Vacfan               | 1    |
| ▲ | 6    | 372885   | Commutator                               | 1    |
| ▲ | 7    | 01837    | Bearing, Motor, Vacfan                   | 2    |
| ▲ | 8    | 372886   | Washer                                   | 1    |
| ▲ | 9    | 398516   | Spacer                                   | 1    |
| ▲ | 10   | 01971    | Impeller, Vacfan                         | 1    |
| ▲ | 11   | 372888   | Impeller, Fan                            | 1    |
| ▲ | 12   | 60387    | Fan                                      | 1    |
| ▲ | 13   | 398517   | Spacer                                   | 2    |
| ▲ | 14   | 18628    | Impeller, Vacfan                         | 1    |
| ▲ | 15   | 61297    | Housing, Impeller, Vacfan                | 1    |
| ▲ | 16   | 372889   | Impeller, Fan                            | 1    |
| ▲ | 17   | 372890   | Shell, Fan                               | 1    |
| ▲ | 18   | 37929    | Nut, Impeller, Vacfan                    | 1    |
| ▲ | 19   | 372887   | Bracket, End, Fan                        | 1    |
| ▲ | 20   | 372884   | Armature                                 | 1    |
| ▲ | 21   | 378983   | Washer                                   | 1    |
| ▲ |      | 223264   | Seal, Rbr, Clsd, 0.25th, 5.8d 03.3h      | 1    |
| ▲ |      | 10925    | Connector, Fem, 2cav [Mp630 Sealed]      | 1    |
| ▲ |      | 24537    | Terminal, Fem, 10/12ga [Mp630 P2s]       | 2    |

**Fig. 6 - Front Wheel Gearbox Breakdown, 9001642**

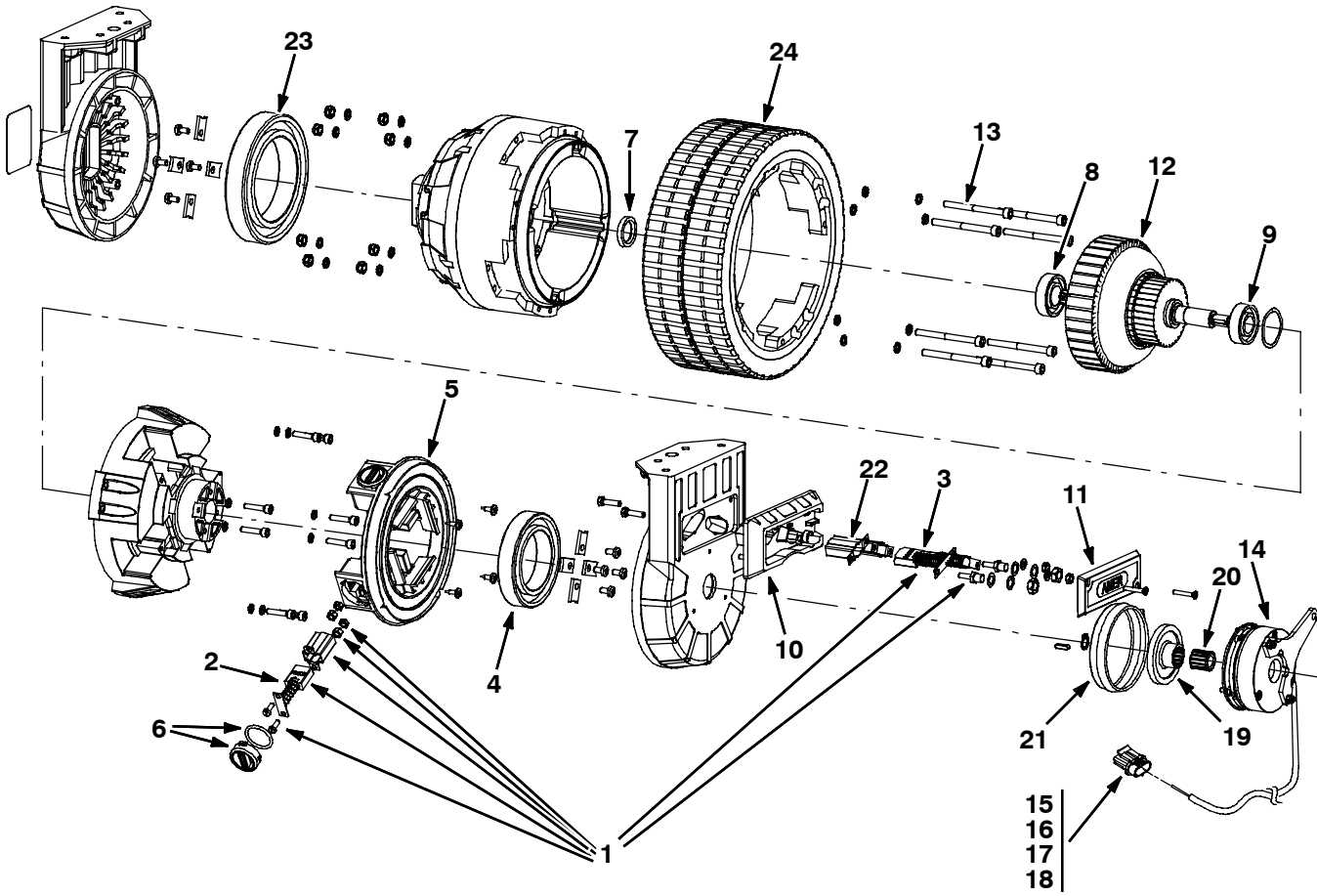
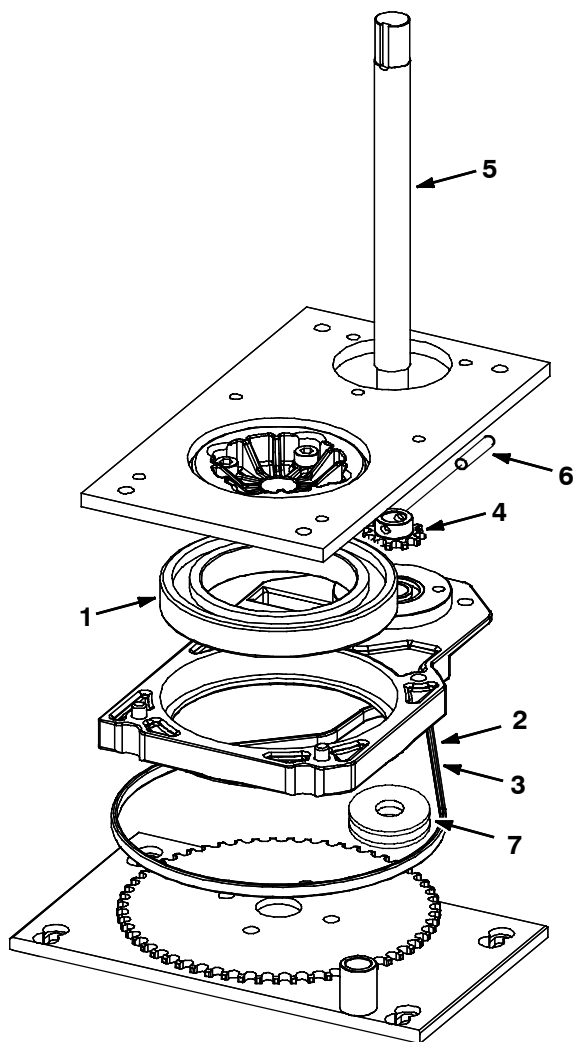


Fig. 6 - Front Wheel Gearbox Breakdown, 9001642

| Ref. | Part No.   | Description                             | Qty. |
|------|------------|---|------|
| ▽    | 9001642    | Gearbox Kit, Wheel, 250mm, W/ Connector | 1    |
| ▲    | 1 391261   | Brush Kit, Motor [Amer, 1pick=1bag]     | 1    |
| ▲▽   | 1029225    | Brush Kit, Carbon                       | 1    |
| ▲▲   | 2 1029224  | Brush, Carbon                           | 4    |
| ▲▽   | 1029226    | Brush Kit, Carbon                       | 1    |
| ▲▲   | 3 398492   | Brush, Motor, Ele [Amer]                | 2    |
| ▲    | 4 1029227  | Bearing, Ball, Brush Side               | 1    |
| ▲    | 5 1029228  | Ring, Brushholder                       | 1    |
| ▲    | 6 391262   | Brush Kit, Cover [Amer]                 | 4    |
| ▲    | 7 391263   | Seal, Ring [Amer]                       | 1    |
| ▲    | 8 391264   | Bearing, Gearbox Side [Amer]            | 1    |
| ▲    | 9 391265   | Bearing, Motor Side [Amer]              | 1    |
| ▲    | 10 391467  | Box, Ele, Connection                    | 1    |
| ▲    | 11 391468  | Cover, Ele, Connection                  | 11   |
| ▲    | 12 372867  | Armature                                | 1    |
| ▲    | 13 1029218 | Screw, Mount, Wheel                     | 8    |
| ▲▽   | 14 9001644 | Brake Kit, Gearbox, W/ Connector        | 1    |
| ▲▲   | 15 78950   | Connector, Fem, 02cav, Mp280 Sealed     | 2    |
| ▲▲   | 16 78952   | Lock, Secondary, 2cav, Mp280 Sealed     | 2    |
| ▲▲   | 17 25837   | Terminal, Fem, Mp280, Sealed, 22-20ga   | 2    |
| ▲▲   | 18 25830   | Seal, Wire, 14ga [Wp / Mp280 Sealed]    | 2    |
| ▲▲   | 19 372870  | Disc, Brake                             | 1    |
| ▲▲   | 20 372871  | Adapter, Brake, Spl                     | 1    |
| ▲    | 21 372872  | Sleeve, Rbr                             | 1    |
| ▲    | 22 372877  | Guide, Brushholder, Slip Ring [Amer]    | 1    |
| ▲    | 23 372874  | Bearing, Steering                       | 1    |
| ▲    | 24 391259  | Tire, Solid, 250mm X 90mm Red           | 1    |
|      | 24 391463  | Tire, Solid, 250mm X 90mm Gray, Pyu     | 1    |

**Fig. 7 - Steering Control Breakdown, 1019724**



| Ref. | Part No.  | Description                         | Qty. |
|------|-----------|-------------------------------------|------|
| ▽    | 1019724   | Steer-Control Assy, Wheel Drive     | 1    |
| ▲    | 1 372874  | Bearing, Steering                   | 1    |
| ▲    | 2 372875  | Chain, Steering                     | 1    |
| ▲    | 3 372876  | Link, Master                        | 1    |
| ▲    | 4 372881  | Sprocket                            | 1    |
| ▲    | 5 1029229 | Shaft, Steering                     | 1    |
| ▲    | 6 1038313 | Pin, Roll, 06Mm X 28MmL             | 1    |
| ▲    | 7 1043371 | Pulley, Tens [T7/R14 Steering Assy] | 1    |